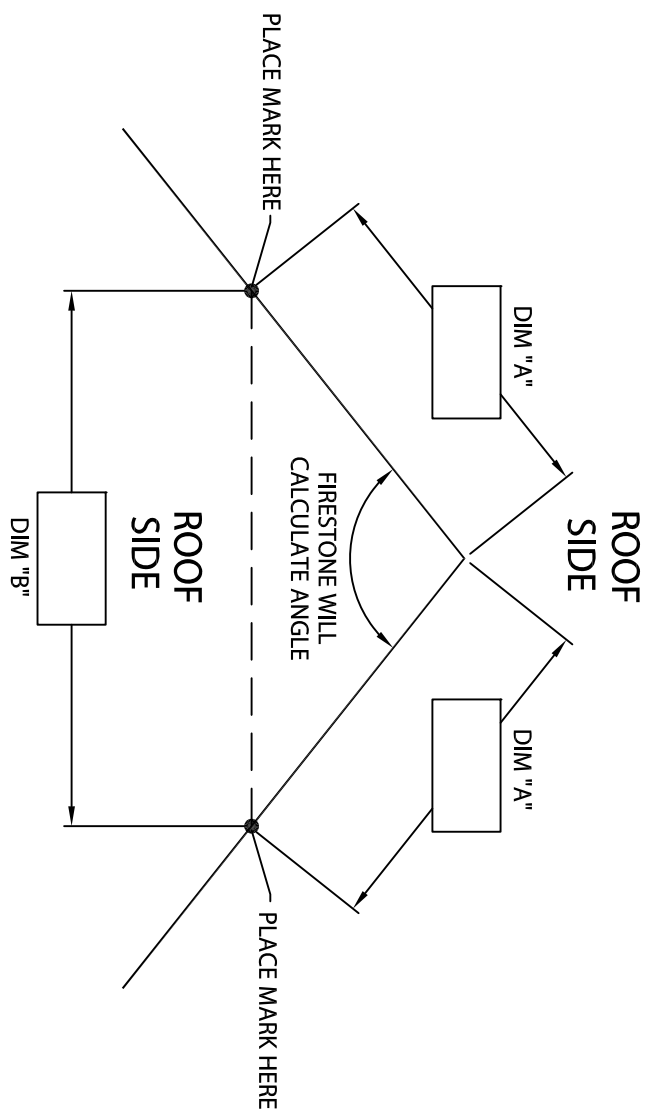


NON-90 ANGLE FOR FASCIA

MEASUREMENT WORKSHEET FOR USE WITHOUT A PROTRACTOR

1. CIRCLE APPROPRIATE "ROOF SIDE" TO INDICATE OUTSIDE MITER OR INSIDE MITER. THIS DETAIL APPLIES FOR MITERS TIGHTER THEN 90° (ACUTE) OR WIDER THEN 90° (OBTUSE).
2. STARTING AT EITHER SIDE OF THE CORNER, MEASURE ALONG THE WALL EDGE A CONVENIENT DIMENSION, SUCH AS 24" OR 36", DEPENDING ON JOB SITE CONDITIONS. PLACE A MARK ON THE WALL AND RECORD MEASURED DIMENSION AS "DIM A" IN THE DRAWING ABOVE, REPEAT PROCEDURE FOR THE OPPOSITE WALL, AS SHOWN ABOVE.
3. MEASURE STRAIGHT ACROSS FROM MARK TO MARK, AS SHOWN, AND RECORD THE MEASURED DIMENSION AS "DIM B".



PROJECT INFORMATION:

(PROJECT NAME) _____ (ARCHITECT) _____ (ROOFING CONTRACTOR) _____ (REPRESENTATIVE/DISTRIBUTOR) _____



ELEVATE

ELEVATE
26 CENTURY BLVD.
SUITE 205
NASHVILLE, TN 37214
CONTACT YOUR LOCAL ELEVATE REPRESENTATIVE

DATE: 03/17/23	SHT.#	OF	
DRN BY: MLM			
CKD BY: MM	DWG#	13810-1042	D