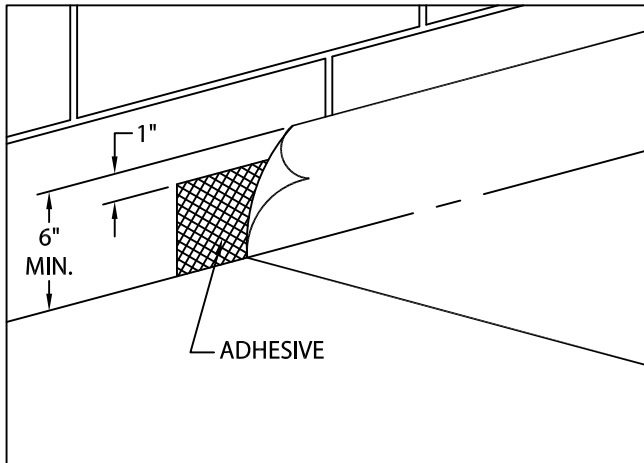


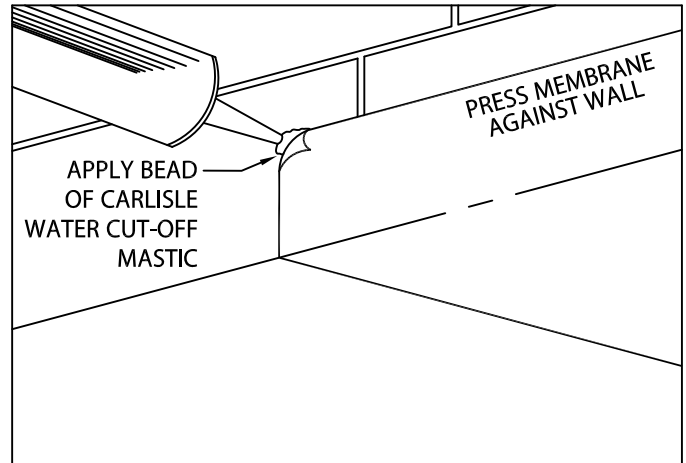
EXTRUDED AND FORMED TERMINATION BAR

INSTALLATION INSTRUCTIONS



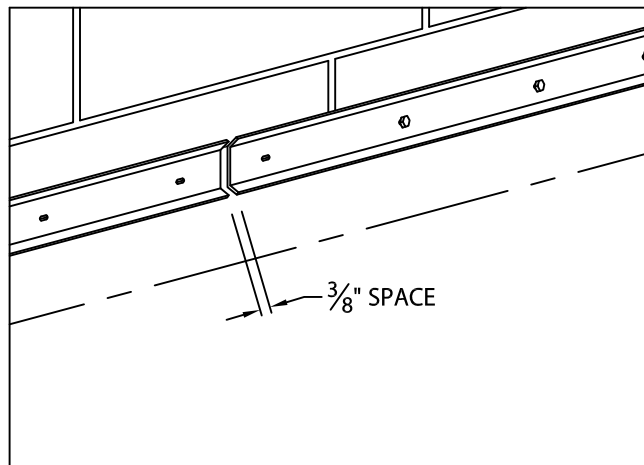
1. MEMBRANE

POSITION ROOF MEMBRANE ALLOWING A MINIMUM OF 6" EXCESS MATERIAL AT ALL VERTICAL SURFACES. FOLLOWING MANUFACTURER'S INSTRUCTIONS, ADHERE ALL BUT THE TOP 1" TO REMAIN UNBONDED.



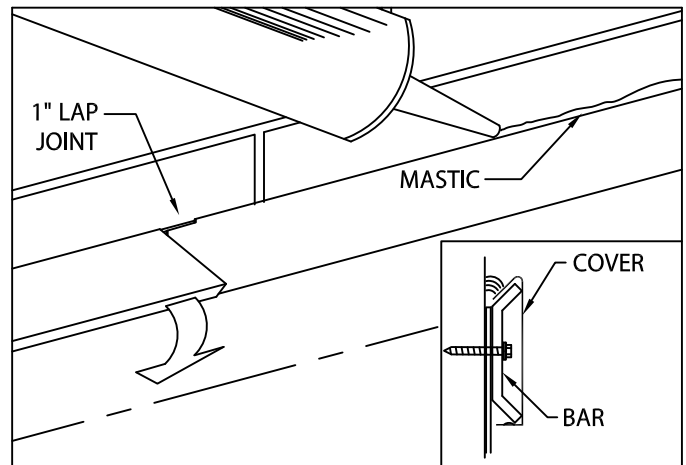
2. MEMBRANE (CONT.)

HOLDING BACK THE UNBONDED 1" OF MEMBRANE, APPLY A BEAD OF WATER CUT-OFF MASTIC, AS SPECIFIED BY THE MANUFACTURER, BETWEEN THE MEMBRANE AND THE WALL. GENTLY PRESS THE MEMBRANE INTO THE WATER CUT-OFF MASTIC PRIOR TO THE INSTALLATION OF THE TERMINATION BAR.



3. TERMINATION BAR

FASTEN THE 12'-0" SECTIONS OF TERMINATION BAR THROUGH THE PRE-SLOTTED HOLES USING APPROPRIATE FASTENERS AND SPACING AS RECOMMENDED BY THE MANUFACTURER. ALLOW $\frac{3}{8}$ " SPACE BETWEEN THE END OF EACH BAR. FIELD CUT BAR AS NECESSARY.



4. COVER

INSTALL 12'-0" COVERS BY HOOKING THE TOP EDGE OF THE COVER ONTO THE TOP OF THE BAR AND ROTATE DOWN. PRESS THE BOTTOM EDGE INTO THE BAR UNTIL IT SNAPS INTO PLACE. CONTINUE WITH EACH SECTION, WHILE LAPPING EACH SECTION 1" ONTO THE NEXT. APPLY A BEAD OF MASTIC TO THE TOP OF THE COVER TO COMPLETE INSTALLATION.