

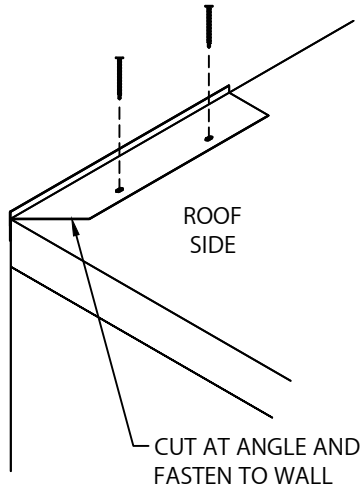


# ELIMINAILER-T

FLUTE FILL METAL ROOF VERSION

## INSTALLATION INSTRUCTIONS

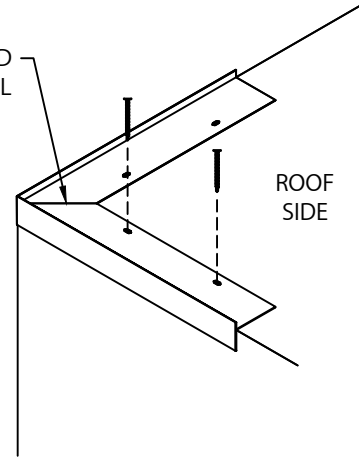
U.S. PATENT # 9,878,023 B1



### 1. OUTSIDE MITER FABRICATION

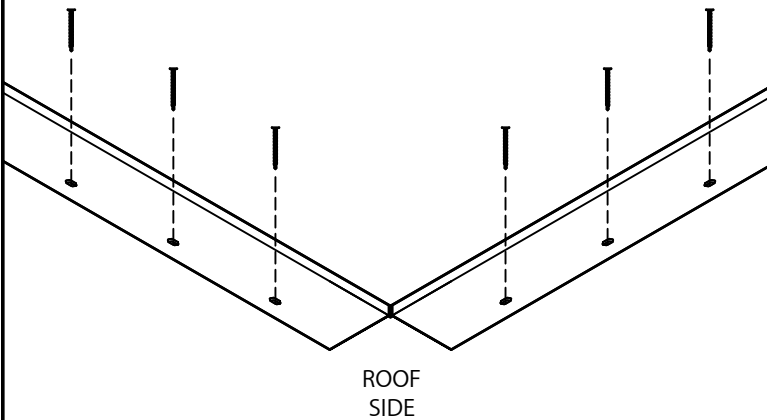
CUT A PIECE OF ELIMINAILER T (ANY LENGTH) ON AN ANGLE. FASTEN TO WALL 6" O.C. AT CORNER WITH PROVIDED FASTENERS.

CUT AT ANGLE AND FASTEN TO WALL



### 2. OUTSIDE MITER FABRICATION

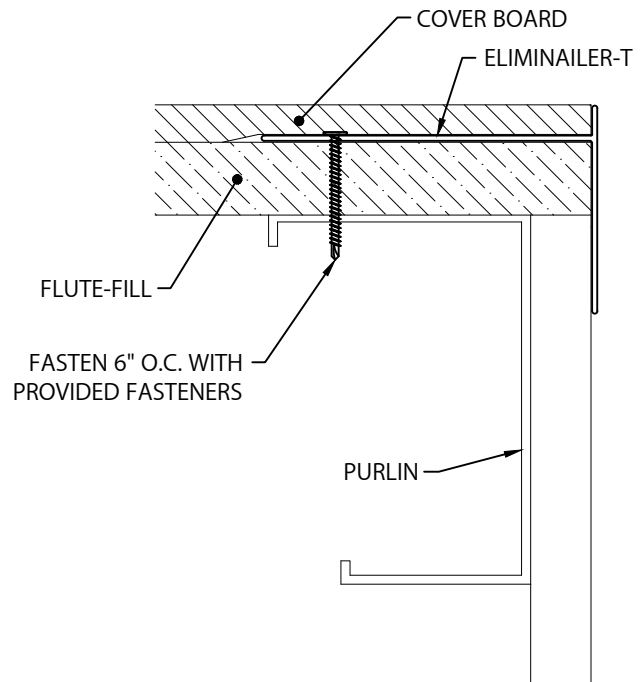
CUT A SECOND PIECE OF ELIMINAILER T (ANY LENGTH) ON AN ANGLE TO FORM A COMPLETE MITER. FASTEN TO WALL AT CORNER WITH PROVIDED FASTENERS 6" O.C.

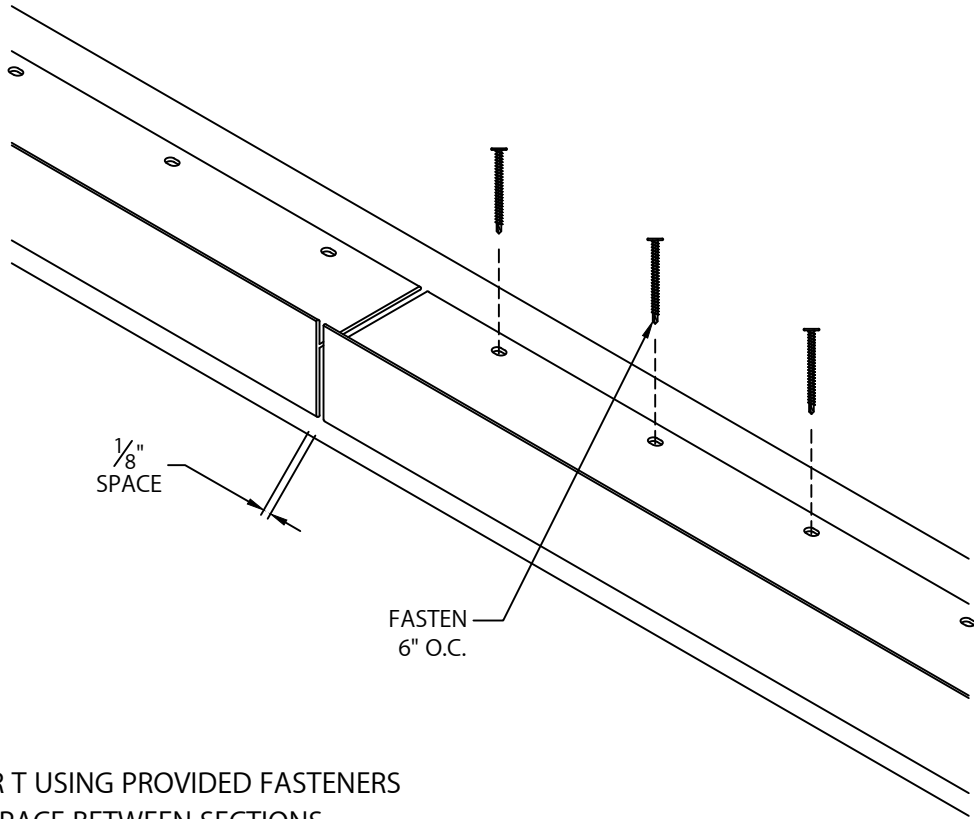


### 3. INSIDE MITERS

NO BAR CUTTING IS NEEDED FOR INSIDE MITERS. SIMPLY BUTT FULL SIZE BARS TIGHT INTO CORNER AND FASTEN TO WALL 6" O.C. WITH PROVIDED FASTENERS.

### TYPICAL INSTALLATION





4. ELIMINAILER T

FASTEN ELIMINAILER T USING PROVIDED FASTENERS  
6" O.C. LEAVE A 1/8" SPACE BETWEEN SECTIONS.