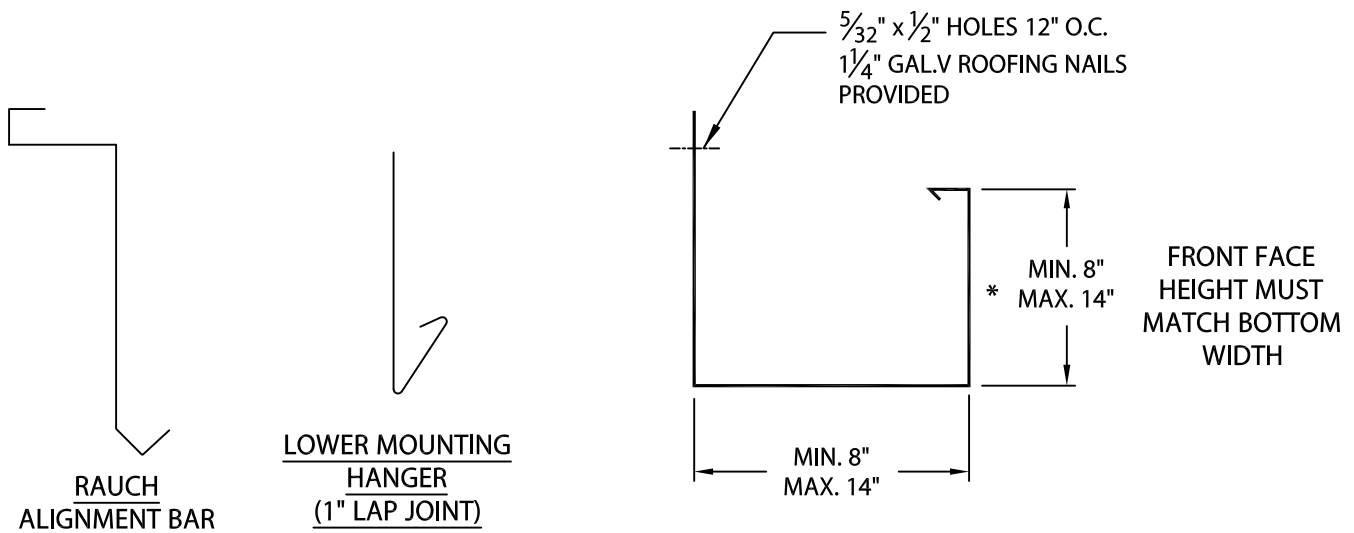
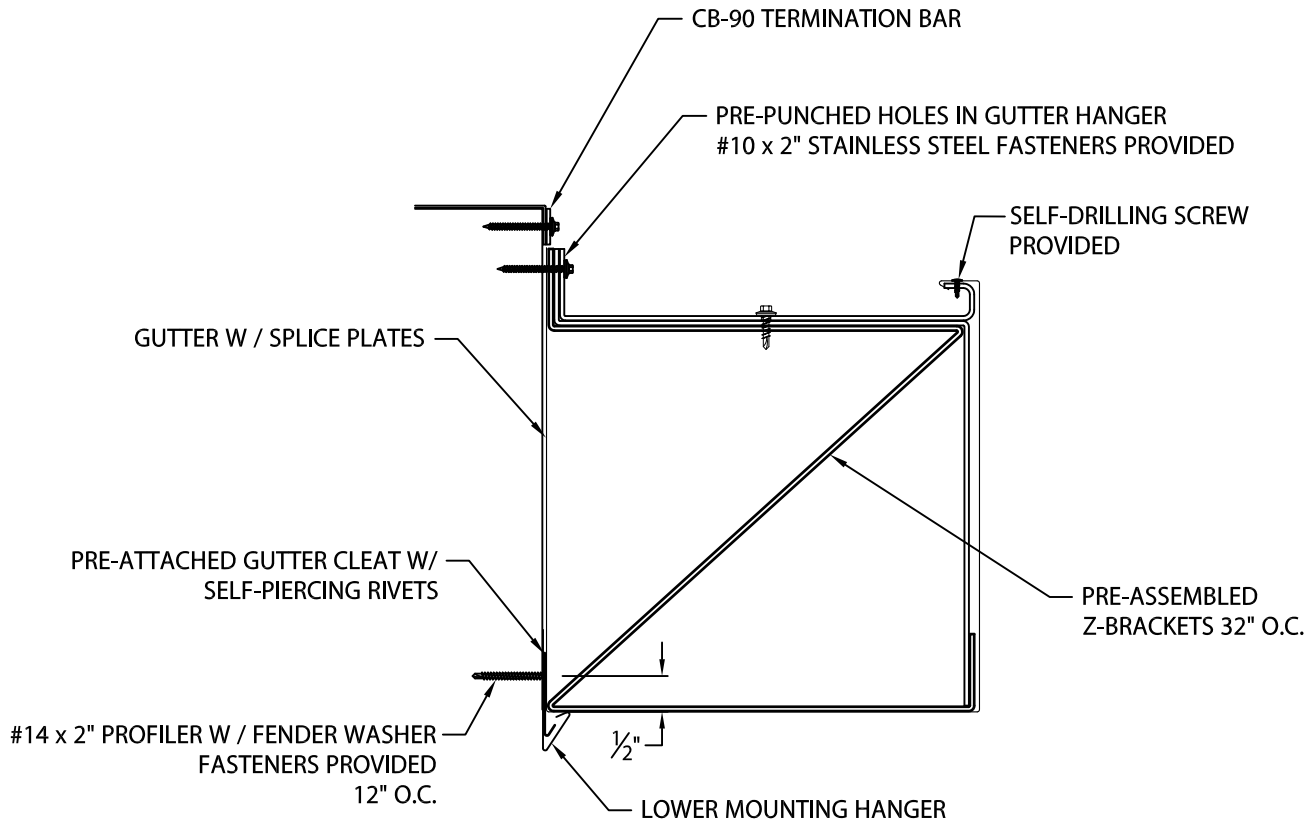


# WIND RESISTANT XL GUTTER

BOX VERSION WITH CB-90 TERMINATION BAR



\* DIMENSION MUST BE A MINIMUM 1" LESS THAN BACKER HEIGHT