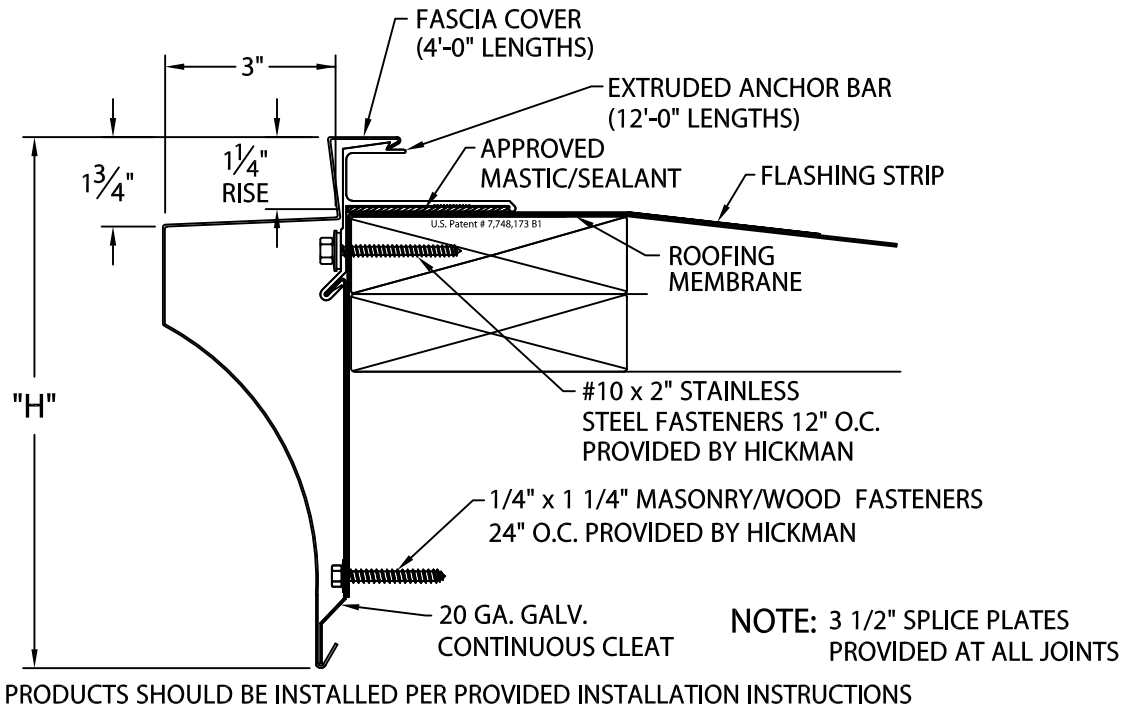


CREATIVE DESIGN CORNICE MB FASCIA

BUILT-UP OR MODIFIED VERSION



DESIGNER CORNICE FASCIA DIMENSIONS

PRODUCT ID. NO.	H DIM
<input type="checkbox"/> AEFM-CS85	8 1/2"
<input type="checkbox"/> AEFM-CS100	10"
<input type="checkbox"/> AEFM-CS115	11 1/2"
<input type="checkbox"/> AEFM-CS130	13"

MATERIAL:

___ .050" ALUMINUM
 ___ .063" ALUMINUM
 ___ OTHER _____
 COLOR: _____
 FINISH: _____

QUANTITIES:

_____ LINEAL FEET *12'-0" LENGTHS
 *COVER SUPPLIED IN 4'-0" LENGTHS
 _____ OUTSIDE MITERS @ 90°
 _____ INSIDE MITERS @ 90°
 _____ RIGHT ENDCAPS
 _____ LEFT ENDCAPS

FOR NON-90° MITERS SEE SEPARATE PRINT APPROVAL


Fabrication will proceed only after receipt of signed print approval.

Print Approval:

Architect and/or contractor shall verify all dimensions, sizes and quantities. All products to be installed in strict accordance with printed instructions.

Approved by: _____

Date: _____

PROJECT:	Hickman Edge Systems		
ARCHITECT:	4 Commerce Way		
ROOFING CONTRACTOR:	Arden, NC 28704		
REPRESENTATIVE/DISTRIBUTOR:	Phone: 828-676-1700		
	www.hickmanedgesystems.com		
 an MTL company	DATE: 08/11/22	SHT.# _____ OF _____	
	DRN BY: MLM		
	CKD BY: MM	DWG# 64010-36757	A