



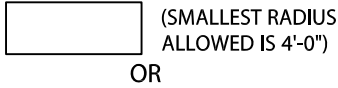
ELEVATE SP RADIUS RAIL FASCIA

FULLY ADHERED OR MECHANICALLY ATTACHED SINGLE-PLY VERSION
.050 AND .063" ALUMINUM COVER MATERIAL

IMPORTANT!!! MUST INDICATE PROPER RADIUS CONDITION BY CIRCLING APPROPRIATE OUTSIDE FACE

PROVIDING A RADIUS
THE RADIUS MAY BE PROVIDED IN ONE OF TWO METHODS:

1.) THE ACTUAL KNOWN RADIUS IS

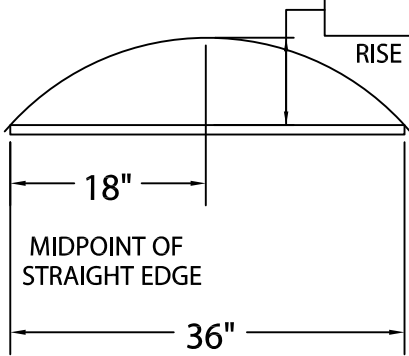


OR

2.) FIELD CONDITION MEASUREMENTS

NOTE: REFER TO ATTACHED WORKSHEET FOR FURTHER INFORMATION

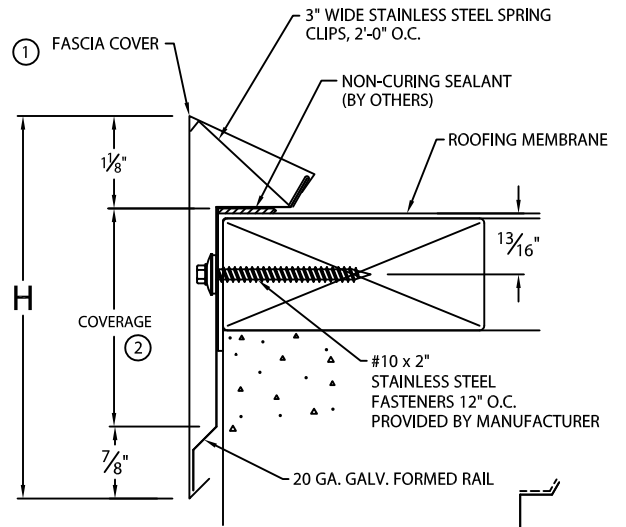
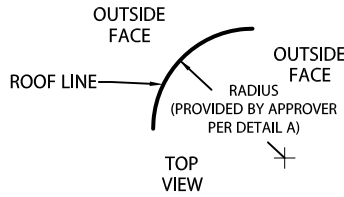
(MAX. RISE ALLOWED IS 3 1/2" ON 36" CHORD)



LENGTH OF STRAIGHT EDGE

NOTE: CHECK MEASUREMENTS ALONG ENTIRE RADIUS.

DETAIL A



----- INDICATES AREA TO BE SLIT TO FORM RADIUS
 OVER 150'-0" RADIUS = NO SLITS
 30'-0" - 150'-0" RADIUS = SLITS 12" O.C.
 16'-0" - 30'-0" RADIUS = SLITS 6" O.C.
 8'-0" - 16'-0" RADIUS = SLITS 3" O.C.
 4'-0" - 8'-0" RADIUS = CUSTOM SLITS 3" O.C.

RADIUS FORMED RAIL

NOTES:

- ① FASCIA COVER PROVIDED WITH 3/2" SPLICE PLATES.
- ② TYPICALLY COVERAGE SHOULD EXTEND A MIN. OF 1" BELOW WOOD BLOCKING IF APPLICABLE.

FASCIA DIMENSIONS

PRODUCT ID. NO.	H DIM	COVERAGE
<input type="checkbox"/> ESE-S40	4"	2"
<input type="checkbox"/> ESE-S50	5"	3"
<input type="checkbox"/> ESE-S65	6 1/2"	4 1/2"
<input type="checkbox"/> ESE-S80	8"	6"

MATERIAL:

___ .050" ALUMINUM
 ___ .063" ALUMINUM
 ___ OTHER _____

COLOR: _____

FINISH: _____

QUANTITIES:

_____ LINEAL FEET 12'-0" LENGTHS
 COVER AND RAIL SUPPLIED IN 12'-0" LENGTHS FOR 16'-0" RADIUS OR GREATER.
 COVER AND RAIL SUPPLIED IN 6'-0" LENGTHS FOR RADIUS LESS THAN 16'-0".

Fabrication will proceed only after receipt of signed print approval.

Print Approval:

Architect and/or contractor shall verify all dimensions, sizes and quantities. All products to be installed in strict accordance with Elevate's printed instructions.

Approved by: _____

Date: _____

PROJECT:

ARCHITECT:

ROOFING CONTRACTOR:

REPRESENTATIVE/DISTRIBUTOR:

ELEVATE
 26 CENTURY BLVD.
 SUITE 205
 NASHVILLE, TN 37214
 CONTACT YOU LOCAL ELEVATE REPRESENTATIVE



DATE: 03/13/23

SHT.# ___ OF ___

DRN BY: MLM

CKD BY: MM

DWG# 13010-19971

I