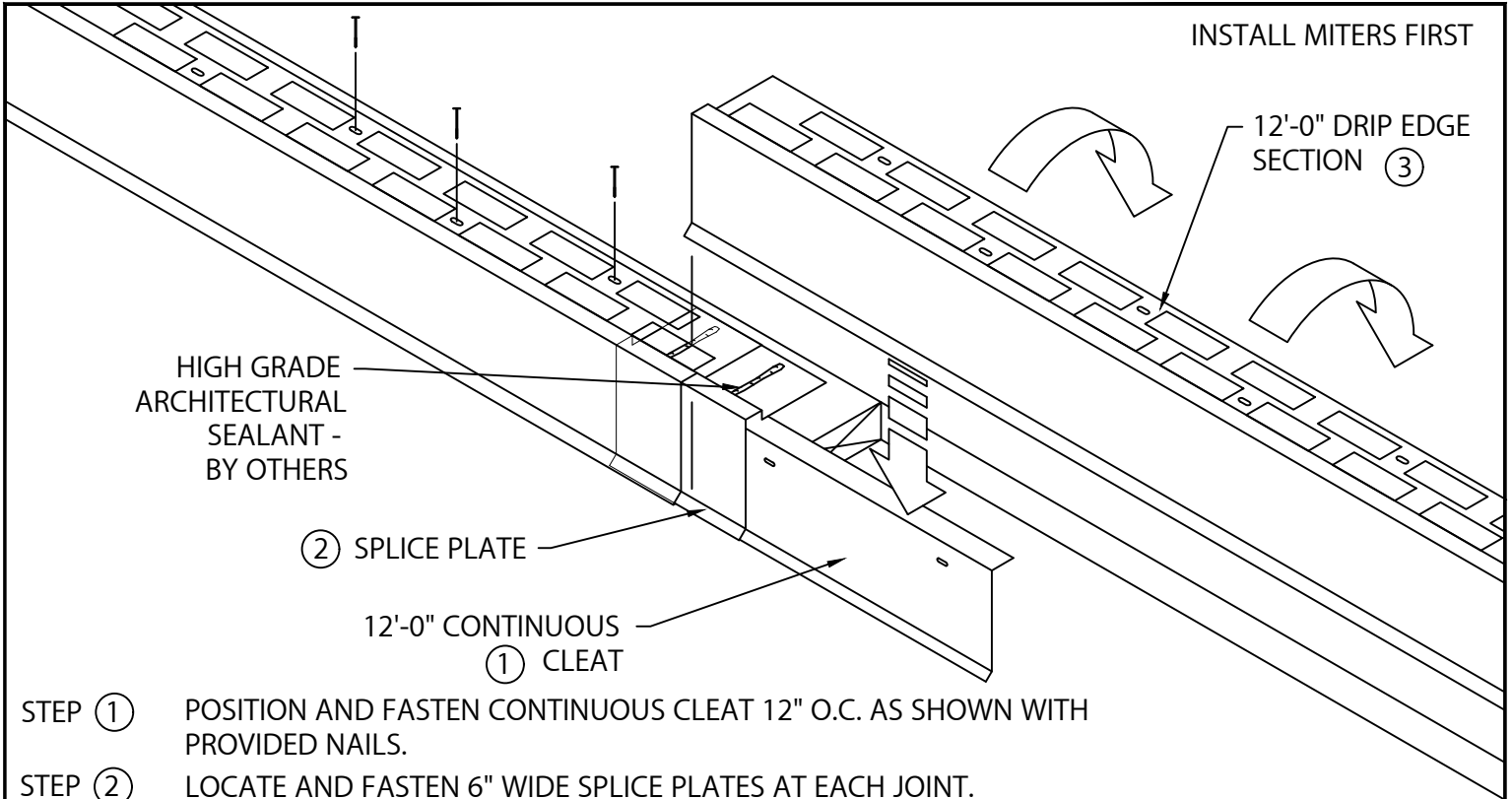




# MBED-B FASCIA

BUILT-UP OR MODIFIED VERSION  
INSTALLATION INSTRUCTIONS



INSTALL MITERS FIRST

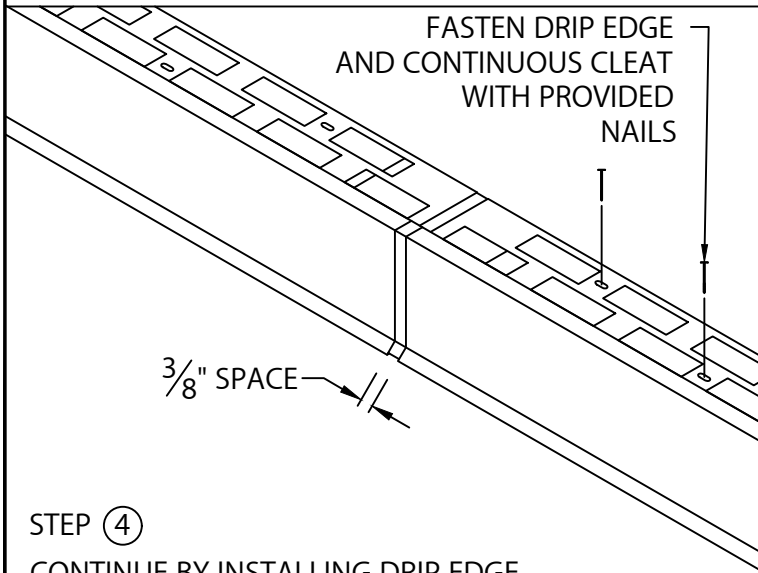
12'-0" DRIP EDGE SECTION ③

HIGH GRADE ARCHITECTURAL SEALANT - BY OTHERS

② SPLICE PLATE

12'-0" CONTINUOUS CLEAT ①

- STEP ① POSITION AND FASTEN CONTINUOUS CLEAT 12" O.C. AS SHOWN WITH PROVIDED NAILS.
- STEP ② LOCATE AND FASTEN 6" WIDE SPLICE PLATES AT EACH JOINT. SEALANT (BY OTHERS) TO BE FIELD APPLIED TO TOP OF EACH SPLICE PLATE AS SHOWN.
- STEP ③ HOOK DRIP EDGE OF EACH DRIP EDGE SECTION ONTO CONTINUOUS CLEAT, ROTATE INTO PLACE, AND FASTEN WITH PROVIDED NAILS.



- STEP ④ CONTINUE BY INSTALLING DRIP EDGE SECTIONS ALLOWING A 3/8" SPACE BETWEEN SECTIONS AS SHOWN. FIELD CUT AS NECESSARY. REMOVE PROTECTIVE FILM IMMEDIATELY AFTER INSTALLATION. INSTALLERS SHALL WEAR PROTECTIVE EYEWEAR TO PREVENT INJURY.

## TYPICAL INSTALLATION

