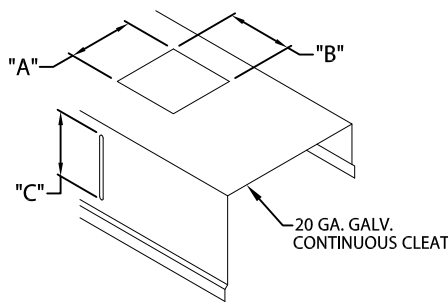


PERMASPAN RR 3-AXIS EXPANSION JOINT

ROOF TO ROOF VERSION, WITH 3 AXIS MOVEMENT



DETAIL VIEW OF 3 AXIS MOVEMENT

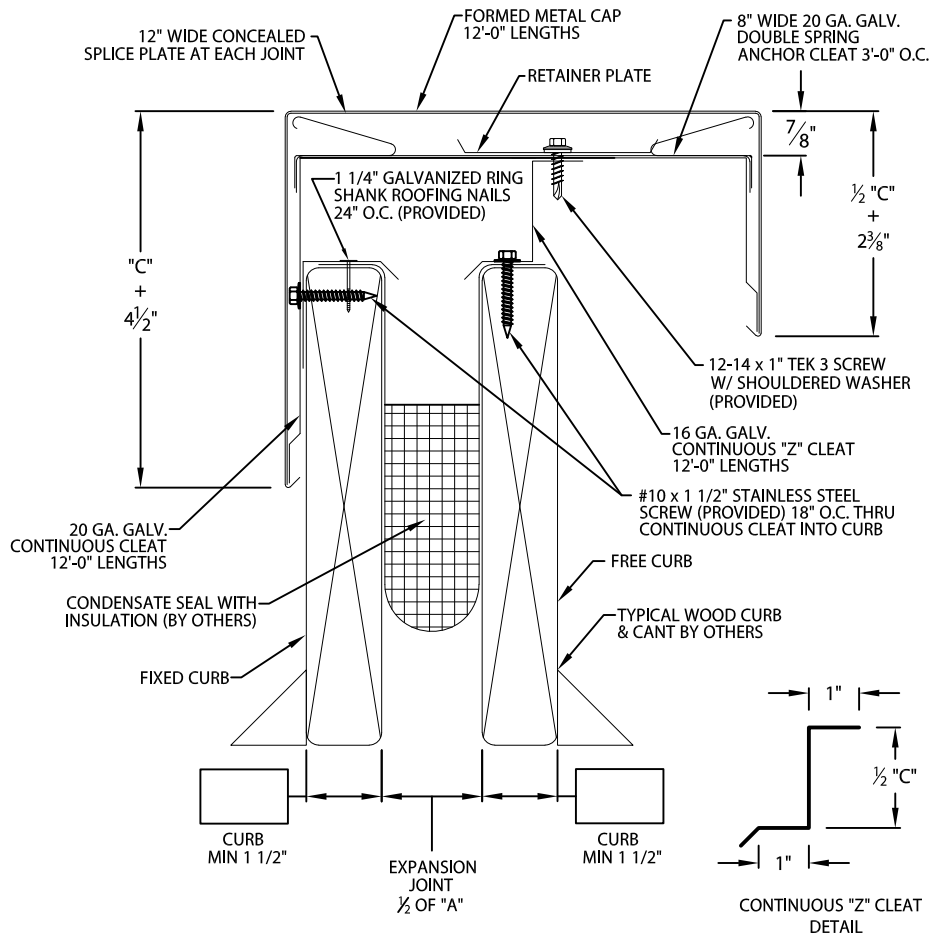
TOTAL EXPECTED MOVEMENT

IN AND OUT (LATERAL) (MAX. 6") "A"

SIDE TO SIDE (LINEAL) (MAX. 6") "B"

UP AND DOWN (VERTICAL) (MAX. 6") "C"

NOTE:
FACE HEIGHTS AND OVERALL WIDTH DETERMINED BY HICKMAN BASED UPON DIMENSIONS GIVEN FOR TOTAL EXPECTED MOVEMENT.



– WELDED MITERS AND ACCESSORIES
CHECK ONE REQUIRED (SURCHARGE) NOT APPLICABLE

– CONCEALED SPLICE PLATES ARE PROVIDED WITH FACTORY APPLIED DUAL NON-CURING SEALANT STRIPS.

– UNLESS OTHERWISE NOTED, FABRICATION OF MITERS AND ACCESSORIES ARE FURNISHED STANDARD UTILIZING A NON-PENETRATING QUICKLOCK JOINT, THEN FACTORY SEALED WATERTIGHT.

Fabrication will proceed only after receipt of signed print approval.

Print Approval:

Architect and/or contractor shall verify all dimensions, sizes and quantities. All products to be installed in strict accordance with printed instructions.

Approved by: _____

Date: _____

MATERIAL:

___ 24 GA. GALV. STEEL ___ .050" ALUMINIUM
___ .040" ALUMINIUM ___ .063" ALUMINIUM
___ OTHER _____

COLOR: _____ FINISH: _____

QUANTITIES:

_____ LINEAL FEET 12'-0" LENGTHS
_____ OUTSIDE MITER(S) @ (_____)°
_____ INSIDE MITER(S) @ (_____)°
_____ RIGHT HAND ENDCAP INSERT(S)*
_____ LEFT HAND ENDCAP INSERT(S)*
* AS VIEWED FACING THE FIXED CURB

PROJECT: _____

ARCHITECT: _____

ROOFING CONTRACTOR: _____

REPRESENTATIVE/DISTRIBUTOR: _____

Hickman Edge Systems
4 Commerce Way
Arden, NC 28704
Phone: 828-676-1700
www.hickmanedgesystems.com

DATE: 08/05/22 SHT.# _____ OF _____

DRN BY: MLM

CKD BY: MM DWG# 64028-37153

