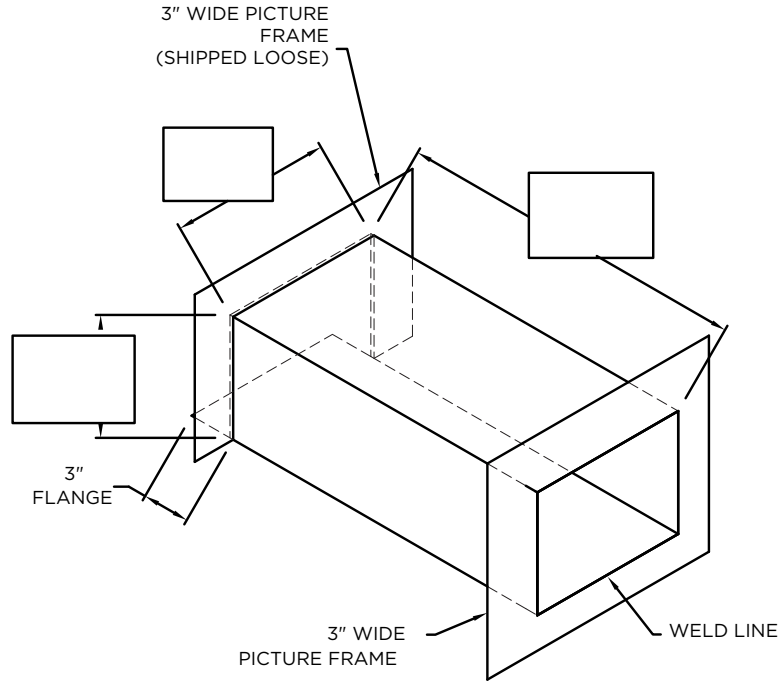




# THRU-WALL SCUPPER WELDED

## NOTES

- Product should be installed per provided installation instructions



## PROJECT INFO

Project Name: \_\_\_\_\_

Architect: \_\_\_\_\_

Roofing Contractor: \_\_\_\_\_

### Project Type:

By selecting this box you have verified and confirmed that dimensions, sizes, and quantities are correct. All products will be installed in strict accordance with printed instructions.

SHT# 1 of 1

DATE: 12/18/23

DRN BY: JJC

CKD BY: MM

DWG #: 15018-42034

REV: A

Date: \_\_\_\_\_

**Carlisle SynTec Systems**  
Customer Service  
866-458-3537  
(Metal-Era)

## DIMENSIONS

Please fill out dimensions on drawing.

## MATERIAL

.063" Aluminum

Color: \_\_\_\_\_

Finish: \_\_\_\_\_

## QUANTITIES

\_\_\_\_\_ Amount Required

(FOR WELDED ONLY: Quantities Over 15 Require Extended Lead Time Due to Post Coating Process)