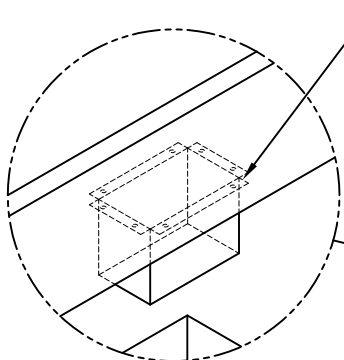


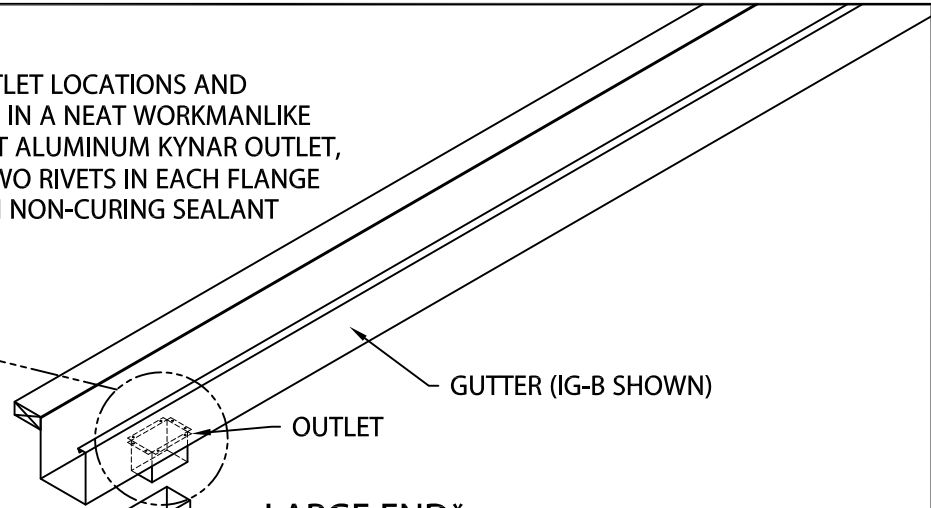
BOX DOWNSPOUT

CLOSED FACE, STYLE 2 DOWNSPOUT STRAPS

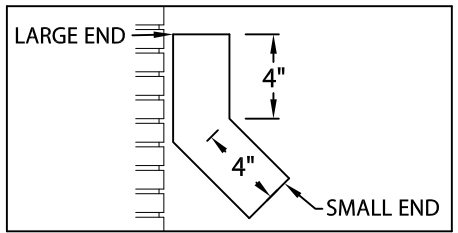
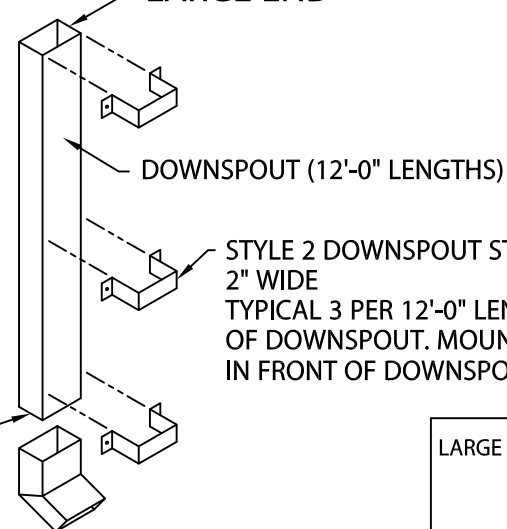
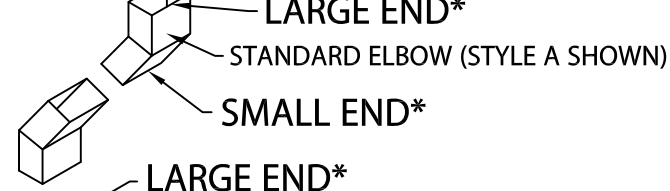
INSTALLATION INSTRUCTIONS



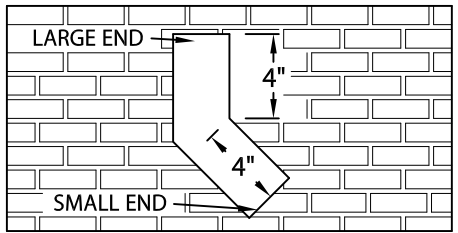
DETERMINE OUTLET LOCATIONS AND FIELD CUT HOLE IN A NEAT WORKMANLIKE MANNER. INSERT ALUMINUM KYNAR OUTLET, FASTEN WITH TWO RIVETS IN EACH FLANGE AND SEAL, WITH NON-CURING SEALANT



* TO DETERMINE WHICH END IS THE LARGE END AND WHICH END IS THE SMALL END, THE DOWNSPOUT WILL NEED TO BE MEASURED. AS AN EXAMPLE, ON A 4" x 6" DOWNSPOUT THE LARGE END WOULD BE 4" x 6" AND THE SMALL END WOULD BE 3⁷/₈" x 5⁷/₈".



STYLE A DOWNSPOUT



STYLE B DOWNSPOUT

