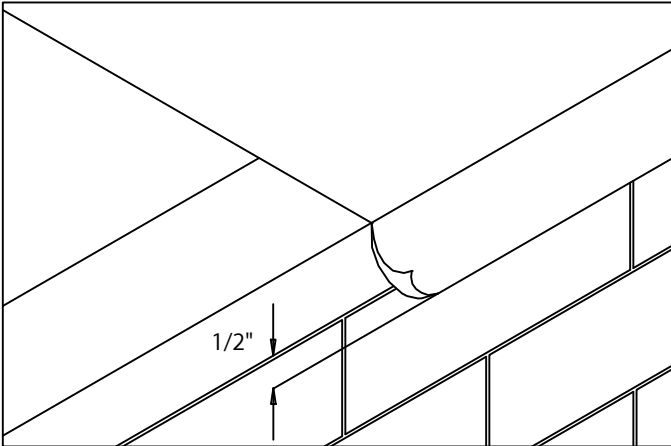




SECUREDGE 2000 EXTENDED FASCIA

FULLY ADHERED OR MECHANICALLY ATTACHED SINGLE-PLY VERSION

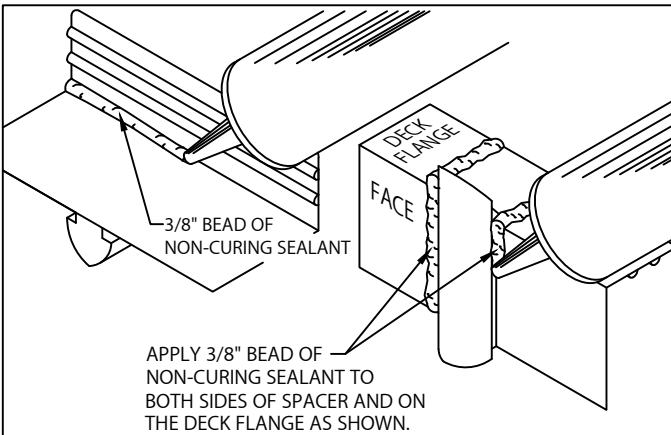
INSTALLATION INSTRUCTIONS



1. Roof Membrane

Position membrane over the roof edge and down outside face of wall, covering treated wood nailer(s) completely. Allow 1/2" excess membrane.

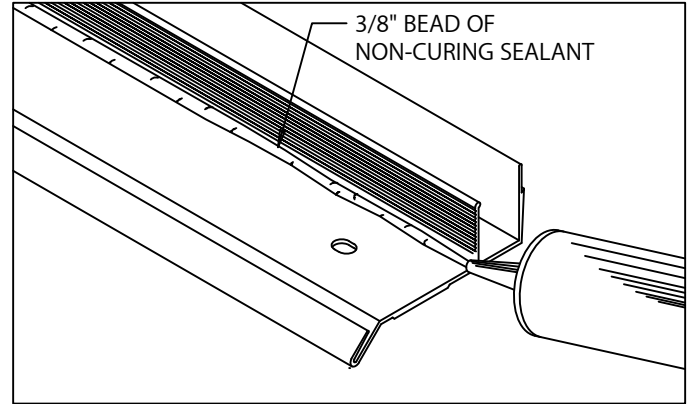
IMPORTANT! Outside edge of treated wood nailer(s) (minimum 2 x 4) shall be aligned flush with outermost edge of wall. Fascia is for use as a perimeter securement on roof designs where the product is not installed in a waterline.



3. Anchor Bar Splice Plates

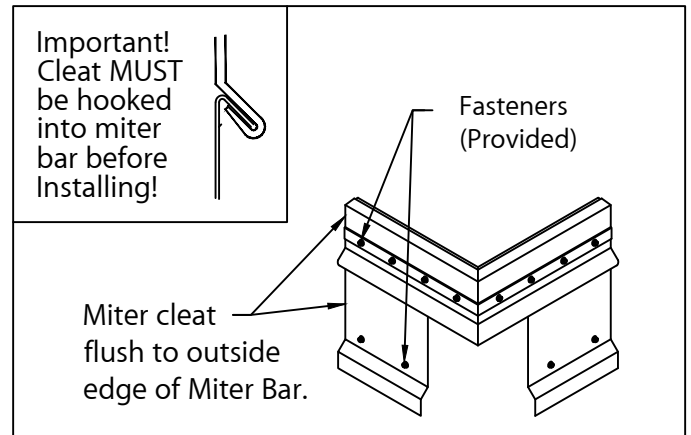
Apply non-curing sealant to each plate as shown and described in STEP 2. Ensure the sealant is placed into the grooves along the spacer.

CAUTION! Installers shall wear protective eye wear to prevent injury. Do not over-drive fasters, as stripping can occur at high driver torque. Recommended driving tool: 600-800 rpm electric drill equipped with depth-sensing nose-piece to prevent driving and stripout. Do not use impact type tool.



2. Miter & Scupper Anchor Bar (Preparation)

Lay miters and scuppers on deck with outside face down. Be sure aluminum anchor bar is clean and free of dirt or dust. Apply a heavy 3/8" bead of non-curing sealant to the right angle intersection of the deck flange and back of anchor-bar as shown. Application of sealant is required along the full length of each miter anchor-bar.



4. Miter Bar & Miter Cleat Installation

Hook miter cleat pieces to miter bar. Flush ends of miter cleat piece and miter bar. Fold roofing membrane at corners and install miter assembly with one anchor bar splice plate under each end of miter bar, the anchor bar must be inserted into the grooves of the splice plates. Fasteners and driver bits provided by manufacturer. Fasten the miter bar and miter cleat using provided fasteners. Next locate and install scuppers with sealant, fasteners and anchor bar splice plates.



Customer Service
866-458-3537
(Metal-Era)

DATE: 02/11/22
DRN BY: MLM
CKD BY: MM

SHT.# 1 OF 3
DWG# 15110-1633

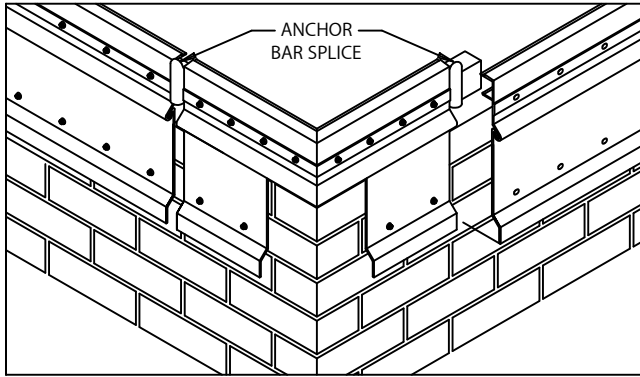
K



SECUREDGE 2000 EXTENDED FASCIA

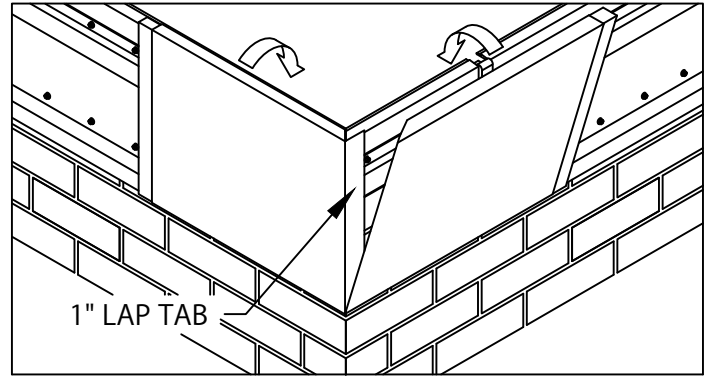
FULLY ADHERED OR MECHANICALLY ATTACHED SINGLE-PLY VERSION

INSTALLATION INSTRUCTIONS



5. Anchor Bar & Cleat Installation

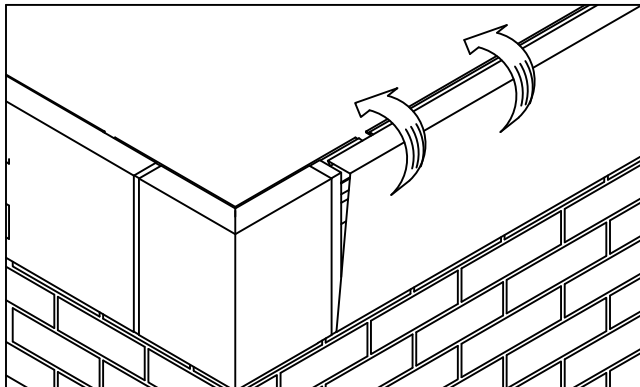
Hook anchor cleat to anchor bar as shown in step 4. Position 12' anchor bar/cleat sections with applied non-curing sealant as shown in step 2 overlapping anchor bar splice plate. Allow $\frac{3}{8}$ " space between anchor bars. Install anchor bar splice plate at other end of bar/cleat section. Fasten anchor bar 12" O.C. through slotted holes using provided fasteners. Fasten anchor cleat 24" through slotted holes using provided fasteners. The anchor bars must insert into the grooves of the anchor bar splice plates. Field cut sections as necessary.



6. Fascia Miter Covers

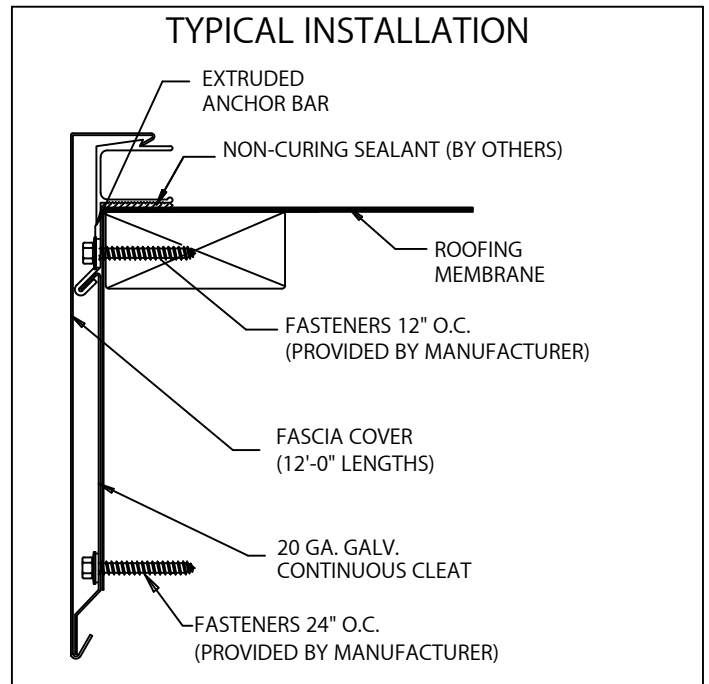
Install miter covers first. Insert one splice plate under each end of the two piece miter cover. Engage cover with 90° tab onto bottom of anchor bar and rotate miter cover up and over anchor bar miter until engaged along entire length of the anchor bar. Repeat steps to install miter cover without the 90° tab.

IMPORTANT! Be sure to remove protective plastic film prior to installing each fascia section.



7. Fascia Covers

Install 12'-0" fascia cover sections. Allow a $\frac{3}{8}$ " gap between fascia cover sections. Insert one splice plate under far end of each fascia cover section. Install cover by hooking lower edge of cover onto anchor cleat and rotating cover up and over anchor bar until engaged along entire length of cover section. Continue to install cover sections in this manner, field cutting where necessary using a fine tooth hacksaw.



U.S. Patent # 7,451,572



Customer Service
866-458-3537
(Metal-Era)

DATE: 02/11/22
DRN BY: MLM
CKD BY: MM

SHT.# 2 OF 3
DWG# 15110-1633

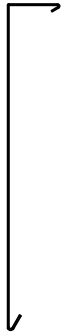
K



SECUREDGE 2000 EXTENDED FASCIA

FULLY ADHERED OR MECHANICALLY ATTACHED SINGLE-PLY VERSION

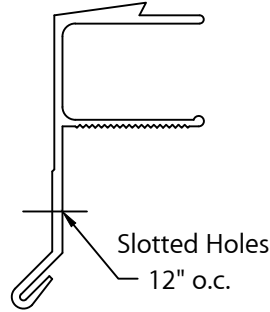
COMPONENT LIST



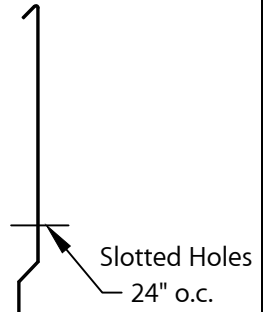
Fascia Cover
12'-0" Lengths



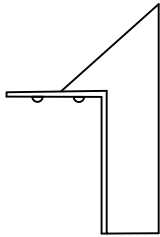
Cover Splice Plate
3½" Wide



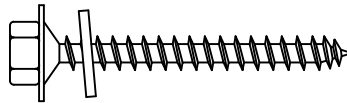
Extruded Anchor Bar
12'-0" Lengths



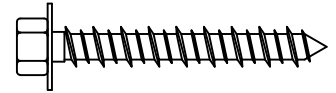
Continuous Anchor Cleat
12'-0" Lengths



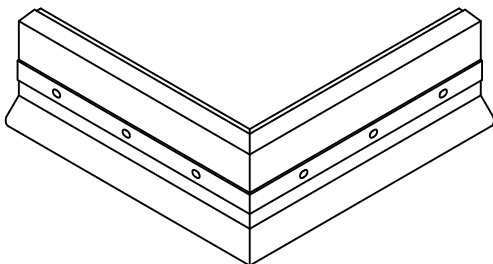
Anchor Bar Splice
3½" Wide w/ ¾" EPDM Gasket



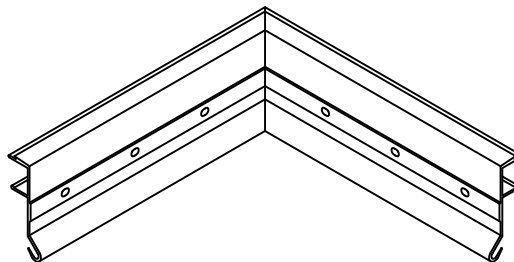
Screw w / washer
for installing Anchor Bar



Screw
for installing Anchor Cleat



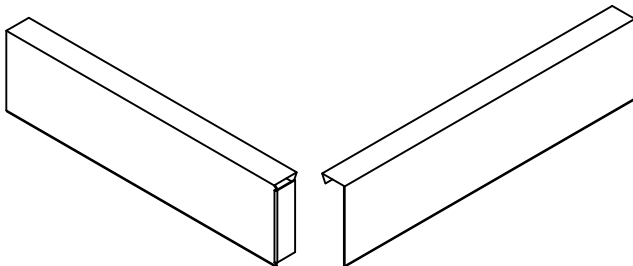
Anchor Bar Miter
Outside



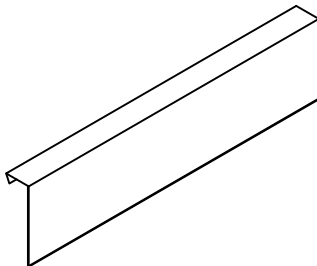
Anchor Bar Miter
Inside



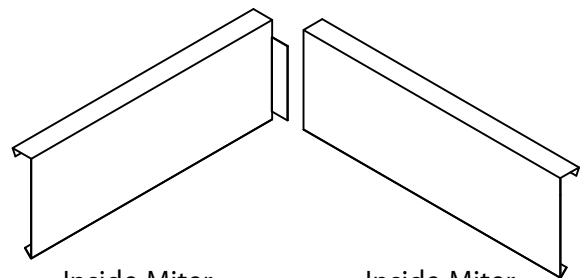
Anchor Cleat for Miters
(2) 14" Long pcs. per miter



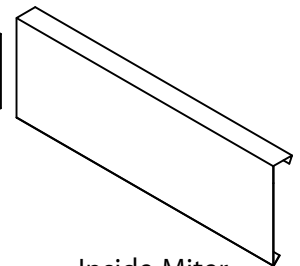
Outside Miter
Cover With Tab



Outside Miter
Cover Without Tab



Inside Miter
Cover With Tab



Inside Miter
Cover Without Tab



Customer Service
866-458-3537
(Metal-Era)

DATE: 02/11/22
DRN BY: MLM
CKD BY: MM

SHT.# 3 OF 3
DWG# 15110-1633

K