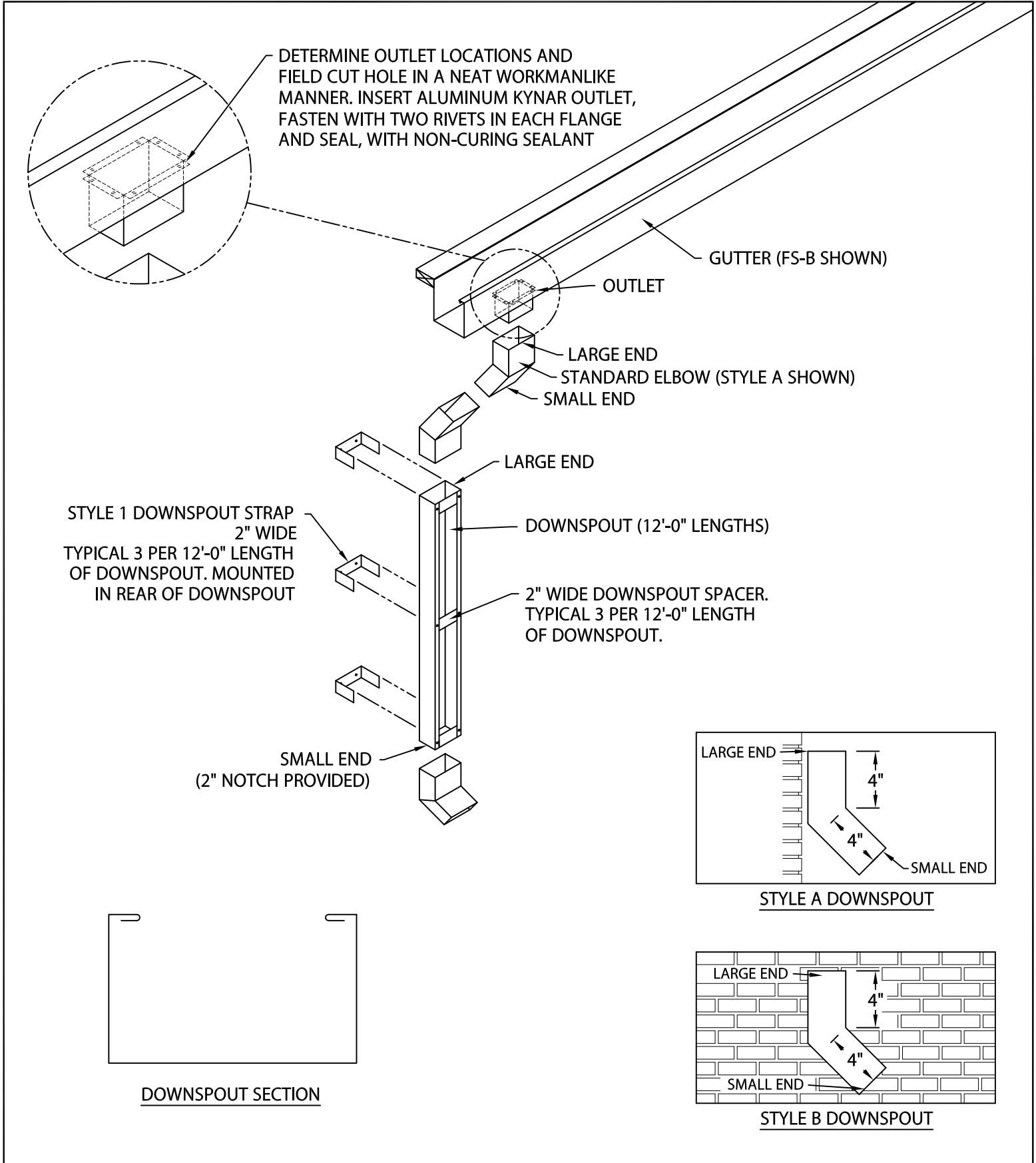


# INDUSTRIAL DOWNSPOUT

OPEN DOWNSPOUT, STYLE 1 DOWNSPOUT STRAP VERSION

INSTALLATION INSTRUCTIONS



ELEVATE  
26 CENTURY BLVD.  
SUITE 205  
NASHVILLE, TN 37214

CONTACT YOUR LOCAL ELEVATE REPRESENTATIVE

DATE: 04/20/23

DRN BY: MLM

CKD BY: MM

SHT.# \_\_\_ OF \_\_\_

DWG# 13113-15795

D