

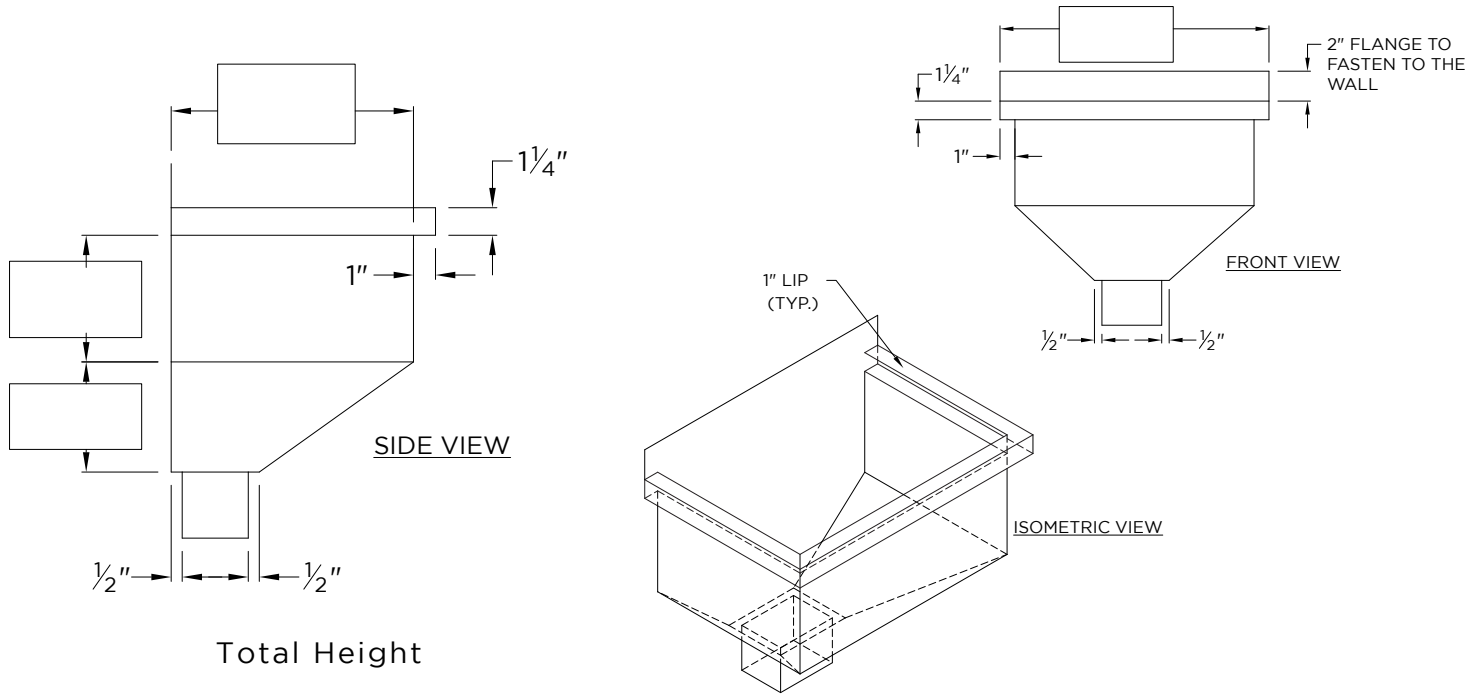


# COLLECTOR BOX

STYLE 3- WELDED

## NOTES

- Product should be installed per provided installation instructions



Total Height

## DIMENSIONS

PLEASE FILL OUT DIMENSIONS ON DRAWING

## MATERIAL

.063" Aluminum

Color: \_\_\_\_\_

Finish: \_\_\_\_\_

## PROJECT INFO

Project Name: \_\_\_\_\_

Architect: \_\_\_\_\_

Roofing Contractor: \_\_\_\_\_

### Project Type:

By selecting this box you have verified and confirmed that dimensions, sizes, and quantities are correct. All products will be installed in strict accordance with printed instructions.

Date: \_\_\_\_\_

SHT# 1 of 1

DATE: 04/07/23

DRN BY: JJC

CKD BY: MM

DWG#: 13018-20637

REV: C

## QUANTITIES

\_\_\_\_\_ Amount Required

Downspout Size \_\_\_\_\_ x \_\_\_\_\_

(Quantities Over 15 Require Extended Lead Time Due to Post Coating Process)

**Elevate**  
 26 Century Blvd.  
 Suite 205  
 Nashville, TN 37214  
 Contact your local  
 Elevate representative.