



# SECUREDGE 200 GOLD COPING

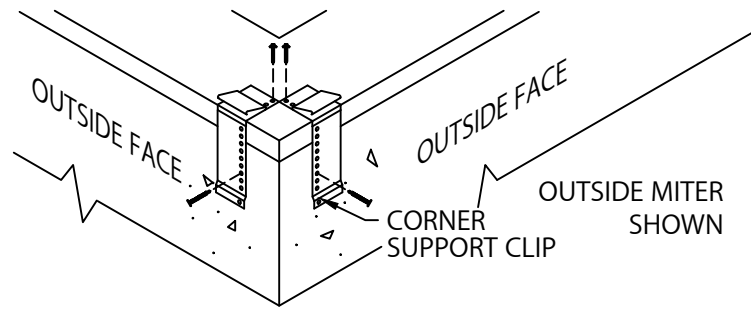
FLAT OR EXISTING SLOPE VERSION - 3'-0" O.C.

## INSTALLATION INSTRUCTIONS

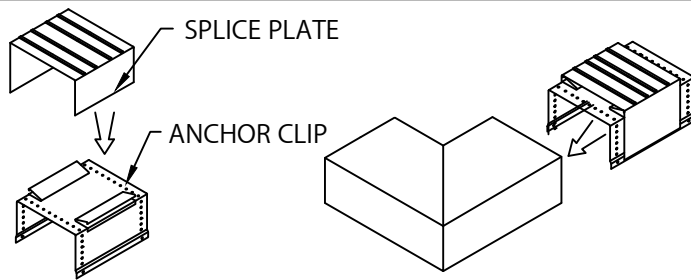
IMPORTANT: PRIOR TO INSTALLATION, READ INSTRUCTIONS CAREFULLY.

NOTE: POSITION ROOF MEMBRANE ON TOP OF THE WALL COVERING THE TREATED WOOD NAILER(S) OR SUBSTRATE COMPLETELY. ALLOW 1/2" MINIMUM EXCESS MEMBRANE BEYOND NAILER WHERE APPLICABLE. NRCA REQUIREMENT.

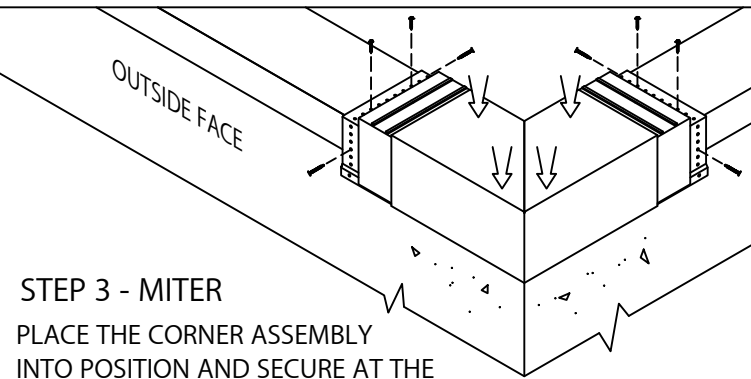
CAUTION: INSTALL MITERS FIRST!



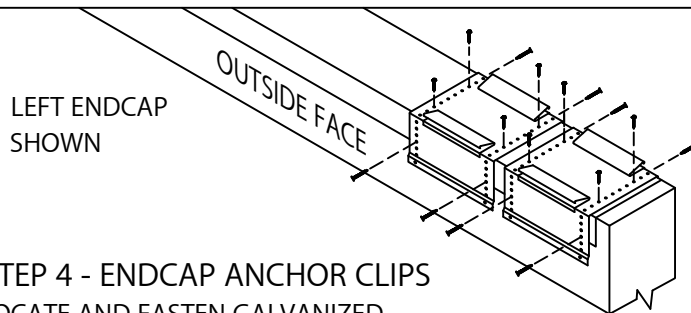
**STEP 1 - CORNER SUPPORT CLIPS**  
LOCATE AND FASTEN GALVANIZED CORNER SUPPORT CLIPS TO THE WALL.



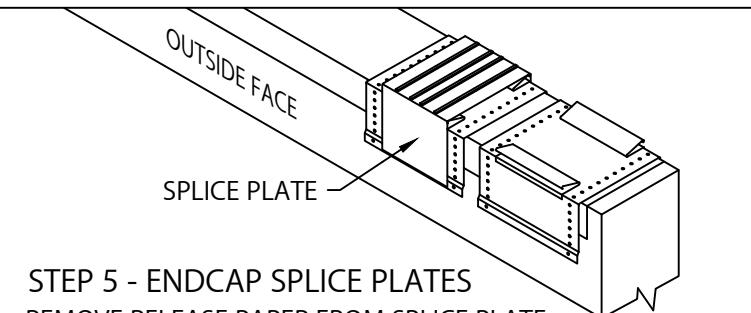
**STEP 2 - MITER SPLICE PLATES & ANCHOR CLIPS**  
POSITION THE SPLICE PLATE IN THE CENTER OF THE ANCHOR CLIP. INSTALL THE SPLICE PLATE AND ANCHOR CLIP ASSEMBLY INTO EACH END OF THE CORNER AS SHOWN



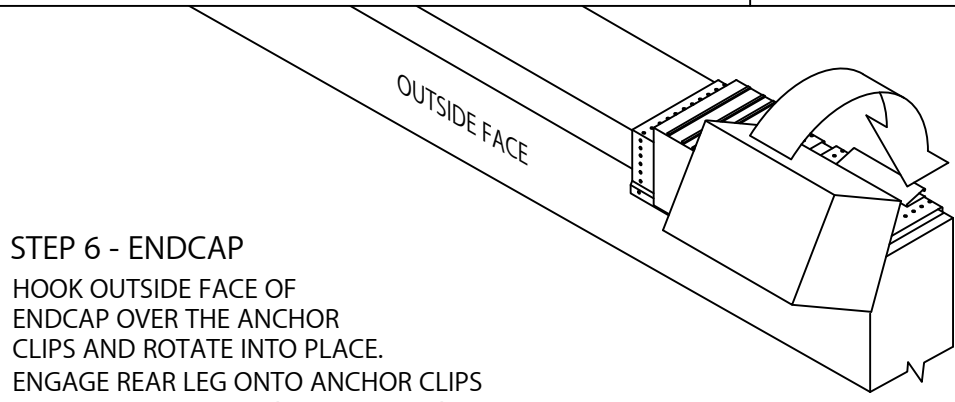
**STEP 3 - MITER**  
PLACE THE CORNER ASSEMBLY INTO POSITION AND SECURE AT THE EXPOSED EDGE OF THE ANCHOR CLIPS AS PER DETAIL A.



**STEP 4 - ENDCAP ANCHOR CLIPS**  
LOCATE AND FASTEN GALVANIZED ANCHOR CLIPS TO WALL WITH PROVIDED FASTENERS FOR SUBSTRATE (SEE DETAIL A).



**STEP 5 - ENDCAP SPLICE PLATES**  
REMOVE RELEASE PAPER FROM SPLICE PLATE SEALANT STRIPS. PLACE SPLICE PLATE ONTO SECOND ANCHOR CLIP AS SHOWN.



**STEP 6 - ENDCAP**  
HOOK OUTSIDE FACE OF ENDCAP OVER THE ANCHOR CLIPS AND ROTATE INTO PLACE. ENGAGE REAR LEG ONTO ANCHOR CLIPS BY PRESSING DOWNWARD UNTIL SNAP LOCK OCCURS.



Customer Service  
866-458-3537  
(Metal-Era)

DATE: 05/26/22  
DRN BY: MLM  
CKD BY: MM

SHT.# 1 OF 3  
DWG# 15111-38516 **A**



# SECUREDGE 200 GOLD COPING

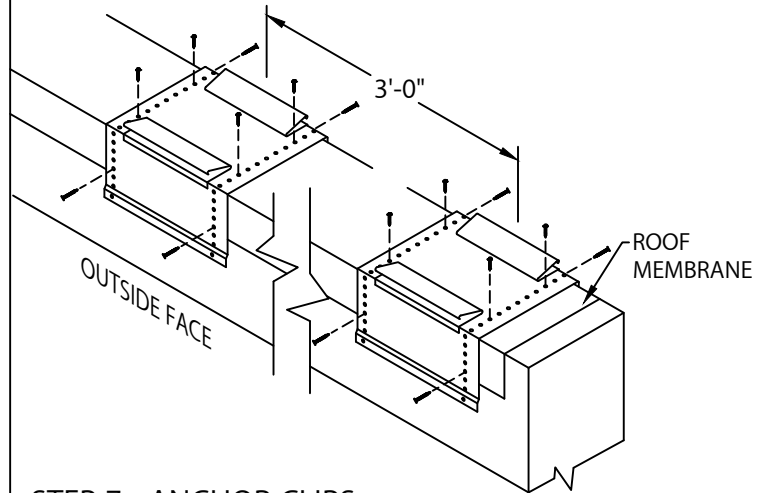
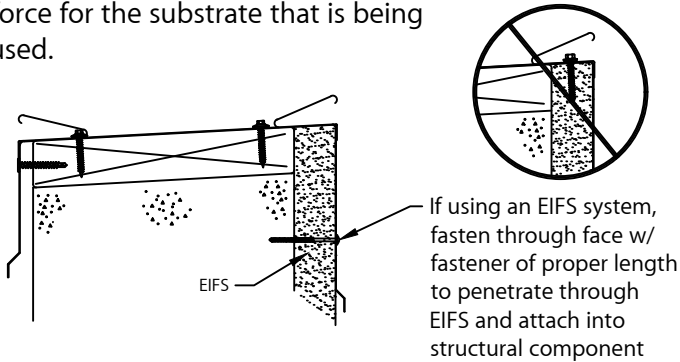
FLAT OR EXISTING SLOPE VERSION - 3'-0" O.C.

## INSTALLATION INSTRUCTIONS

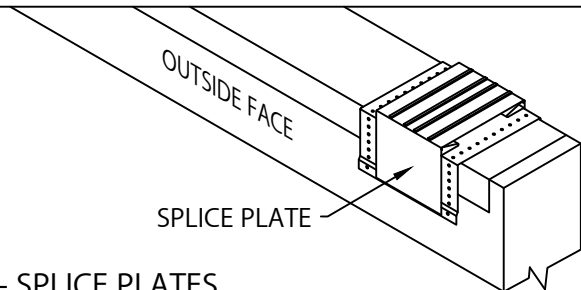
### INSTALLATION NOTES:

1) Installing contractor shall check as-built conditions, including nailer attachment, and verify the manufacturer's coping details for accuracy to fit the wall assembly prior to fabrication.

2) Fasteners must be corrosion resistant and rated for a minimum 250# pullout force for the substrate that is being used.

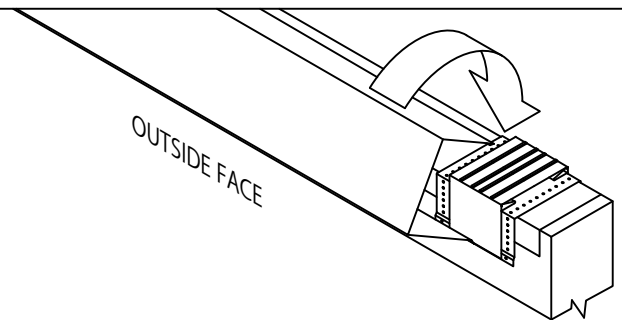


**STEP 7 - ANCHOR CLIPS**  
 LOCATE OVER ROOFING MEMBRANE AND FASTEN GALVANIZED ANCHOR CLIPS TO WALL AT 3'-0" CENTER WITH PROVIDED FASTENERS AS SHOWN IN DETAIL A

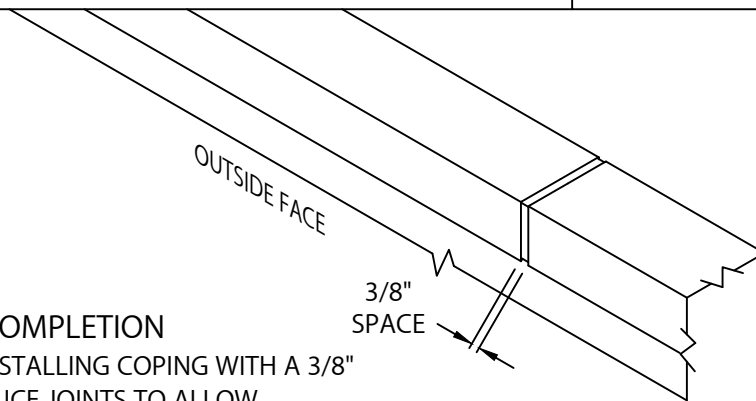


**STEP 8 - SPLICE PLATES**  
 PLACE SPLICE PLATE ONTO ANCHOR CLIPS AT SPLICE JOINTS, 12'-0" O.C.

NOTE: REMOVE RELEASE PAPER FROM SEALANT STRIPS.



**STEP 9 - COPING**  
 HOOK OUTSIDE FACE OF COPING OVER THE ANCHOR CLIPS AND ROTATE INTO PLACE. ENGAGE REAR LEG ONTO ANCHOR CLIPS BY PRESSING DOWNWARD UNTIL SNAP LOCK OCCURS.



**STEP 10 - COMPLETION**  
 CONTINUE INSTALLING COPING WITH A 3/8" SPACE AT SPLICE JOINTS TO ALLOW FOR THERMAL EXPANSION. FIELD CUT WHERE NECESSARY USING FINE TOOTH HACKSAW OR SNIPS.  
 NOTE: REMOVE PROTECTIVE FILM IMMEDIATELY.



Customer Service  
 866-458-3537  
 (Metal-Era)

DATE: 05/26/22  
 DRN BY: MLM  
 CKD BY: MM

SHT.# 2 OF 3  
 DWG# 15111-38516 **A**

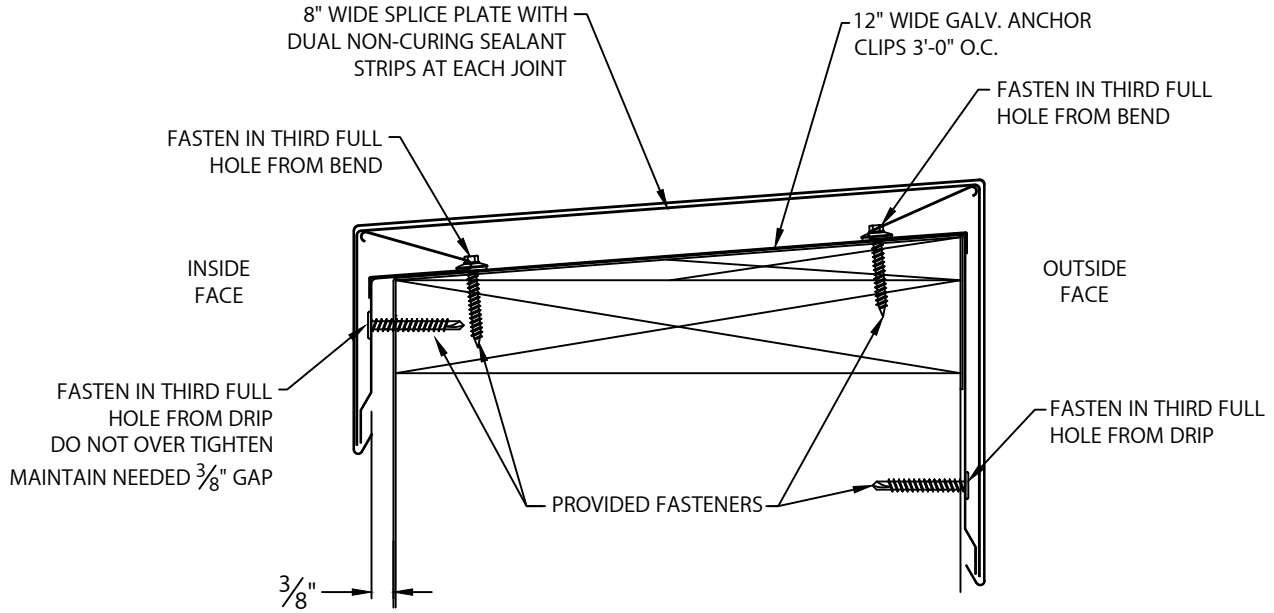


# SECUREDGE 200 GOLD COPING

FLAT OR EXISTING SLOPE VERSION - 3'-0" O.C.

## INSTALLATION INSTRUCTIONS

TYPICAL COPING INSTALLATION  
DETAIL A  
(EXISTING SLOPE VERSION SHOWN)



Customer Service  
866-458-3537  
(Metal-Era)

DATE: 05/26/22  
DRN BY: MLM  
CKD BY: MM

SHT.# 3 OF 3

DWG# 15111-38516

A