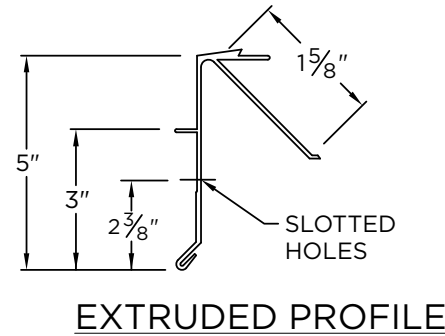
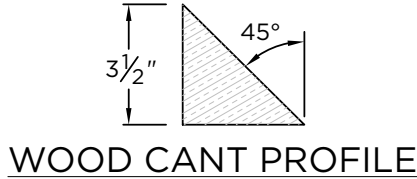
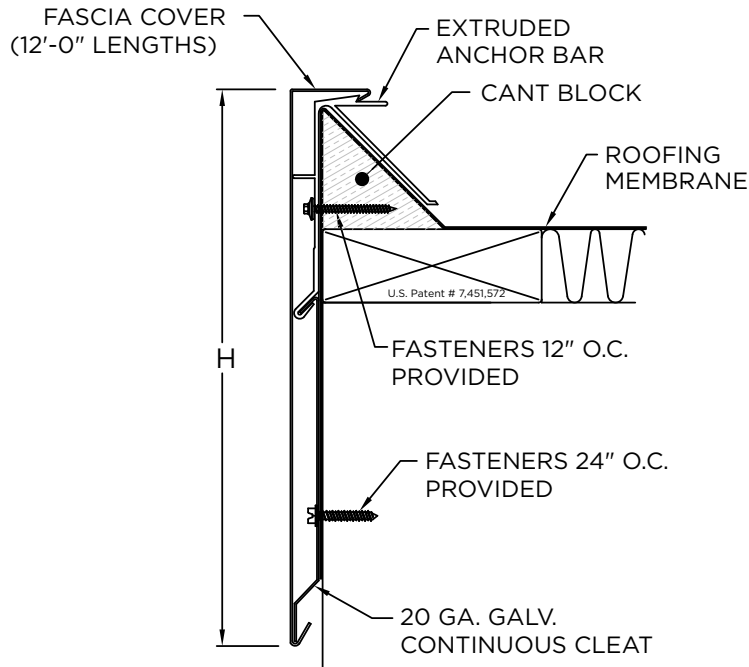


## TERMINEDGE CANTED XT FASCIA

### EXISTING BEVELED WOOD NAILER

### NOTES

- Fascia cover provided with splice plates
- For non-90 miters, see separate print approval
- Product should be installed per provided installation instructions



### DIMENSIONS

PRODUCT ID. NO.	H DIM	X DIM	NAILER COVERAGE
<input type="checkbox"/> AEFC-900	9"	7"	4 NAILERS
<input type="checkbox"/> AEFC-1050	10 1/2"	8 1/2"	5 NAILERS
<input type="checkbox"/> AEFC-1200	12"	10"	6 NAILERS
<input type="checkbox"/> AEFC-1350	13 1/2"	11 1/2"	7 NAILERS

### MATERIAL

- 22 Ga. Galv. Steel
- .050" Aluminum
- .063" Aluminum
- OTHER: \_\_\_\_\_

Color: \_\_\_\_\_

Finish: \_\_\_\_\_

**Substrate:**  Wood

If substrate is not given, wood fasteners will be provided.  Masonry

Metal

### QUANTITIES

\_\_\_\_\_ Lineal Feet (12'-0" Lengths)

\_\_\_\_\_ Outside Miter (90°)

\_\_\_\_\_ Inside Miter (90°)

\_\_\_\_\_ Right Endcaps

\_\_\_\_\_ Left Endcaps

\_\_\_\_\_ Right Endwall Flashing

\_\_\_\_\_ Left Endwall Flashing

\_\_\_\_\_ Overflow Scupper

Style A

Style B

\_\_\_\_\_ Spillout Scupper

Style A

Style B

\_\_\_\_\_ Downspout Scupper

Style A  Style B

Size \_\_\_\_\_ x \_\_\_\_\_

Style A=Tapered 1.5" Drop | Style B=Flat

### PROJECT INFO

Project Name: \_\_\_\_\_

Architect: \_\_\_\_\_

Roofing Contractor: \_\_\_\_\_

#### Project Type:

By selecting this box you have verified and confirmed that dimensions, sizes, and quantities are correct. All products will be installed in strict accordance with printed instructions.

Date: \_\_\_\_\_

#### Hickman Edge Systems

4 Commerce Way

Arden, NC 28704

Phone: 828-676-1700

www.hickmanedgesystems.com

SHT# 1 of 1

DATE: 10/18/21

DRN BY: JJC

CKD BY: MM

DWG #: 64010-36613

REV: A