

# Firestone OM Extender with Offset

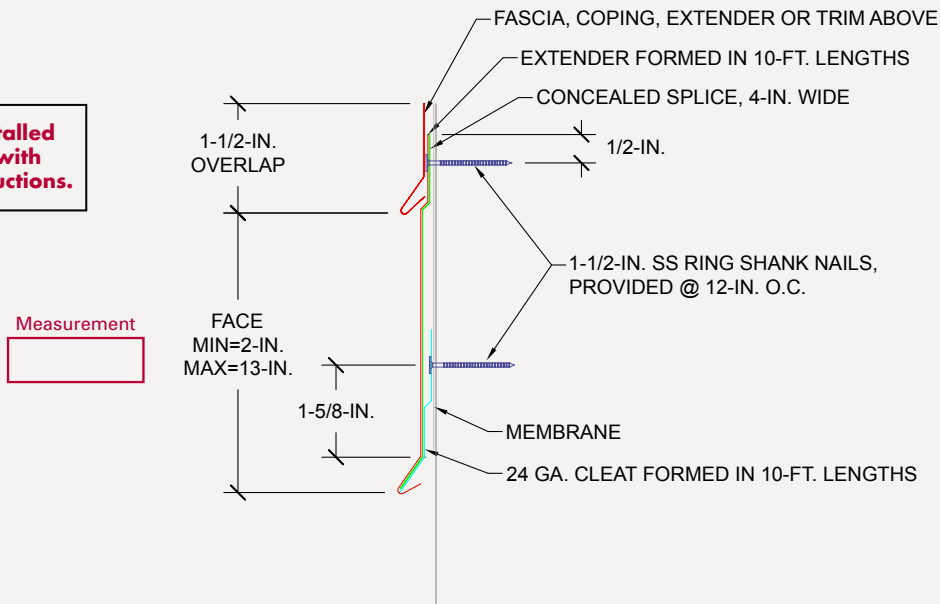
# Firestone

Firestone Building Products

## ORDER SPECIFICATION FORM

ANSI/SPRI/FM4435/ES-1 TEST PRESSURES UP TO 107 PSF (HORIZONTAL)

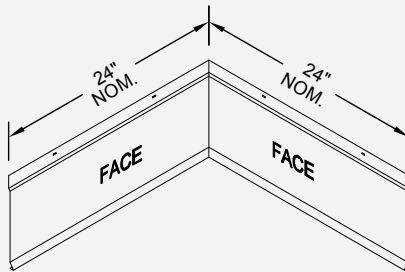
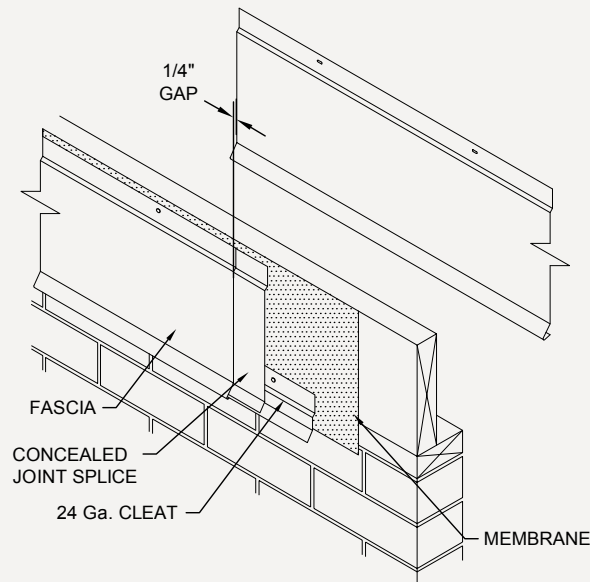
All products to be installed in strict accordance with Firestone printed instructions.



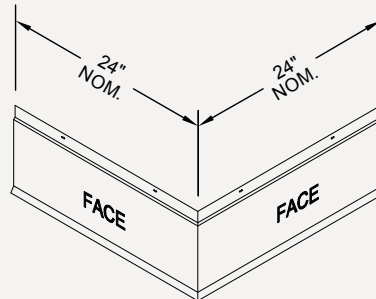
FOR MASONRY APPLICATIONS, PLEASE CONTACT FIRESTONE. CONTACT FIRESTONE FOR APPROPRIATE RECOMMENDATIONS NEEDED TO MEET/EXCEED ANSI/SPRI/FM4435/ES-1 DESIGN CRITERIA.

APPROVALS		COVER MATERIAL	THICKNESS	COVER FINISH
<div style="display: flex; align-items: center; gap: 10px;"> <div style="border: 1px solid black; padding: 2px;">ANSI/SPRI/FM 4435 /ES-1 TESTED</div> <div style="border: 1px solid black; padding: 2px; text-align: center;"> <b>FM</b> APPROVED         </div> <div>Florida Product Approval</div> <div style="border: 1px solid black; padding: 2px; text-align: center;"> <b>MIAMI-DADE COUNTY</b> APPROVED         </div> </div>		Aluminum Galvanized Steel Stainless Steel	24Ga. 22Ga. .040 in. .050 in. .063 in.	Mill Prefinished Kynar Premium Prefinished Kynar Post Finished Kynar Prefinished Anodized Post Finished Anodized
QUANTITY		ACCESSORY TYPE		
_____	Straight Length	Welded		
_____	Total Miters (Inside: _____ / Outside: _____)	Folded		
_____	Total End Caps (Left: _____ / Right: _____)			
_____	Total End Terms (Left: _____ / Right: _____)			
_____	Radius Notched			
_____	Radius to Straight Miter Notched			
_____	Radius End Cap			
_____	Vault Welded			
_____	Vault to Straight Miter Welded			
_____	Vault End Cap			
_____	Z-Miter			
_____	Ridge Miter			
_____	Valley Miter			
_____	Sumps			
_____	Spillouts			
FACE HEIGHT		CUSTOMER APPROVAL		
_____	COLOR	Approved for Fabrication    Approved with Changes    Not Approved		
_____	_____	_____ Authorized Customer Signature		
_____	_____	_____ Title <span style="float: right;">Date</span>		
_____	_____	Job Name:		
_____	_____	Project Location:		
_____	_____	Customer:		
_____	_____	Representative:		

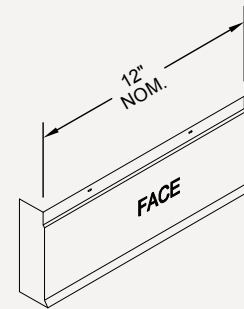
# Firestone OM Extender with Offset



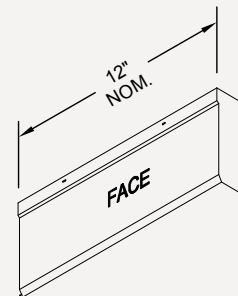
INSIDE MITER



OUTSIDE MITER



END CAP  
LEFT HAND SHOWN



END TERM  
RIGHT HAND SHOWN

Standard miter leg lengths are 24". Nominal  
 Standard fascia miter angle is 90°  
 For special miter requirements, attach sketches or consult manufacturer for assistance.

**Firestone**

Firestone Building Products

Firestone Building Products

200 4th Avenue South

Nashville, TN 37201

Tel.: (800) 428-4442