

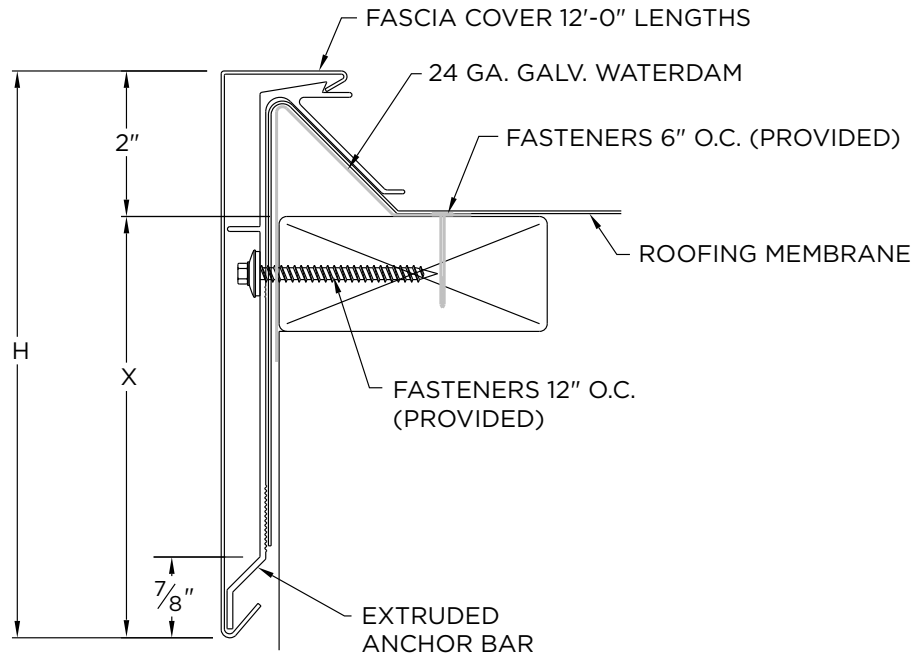


# ELEVATE ANCHORGARD® CANTED WD FASCIA

## GALVANIZED WATERDAM VERSION

### NOTES

- Fascia cover provided with splice plates
- 10" cover not available in 24 ga. galv. steel or .040" aluminum
- 5.5" extruded bar varies in design at lower kick
- For non-90 miters, see separate print approval
- Product should be installed per provided installation instructions
- ANSI/SPRI/FM 4435/ES-1 Test Pressure up to 293 psf



### APPROVALS



**ANSI/SPRI/FM 4435/ES-1**  
Test Pressures listed in notes

### PROJECT INFO

Project Name: \_\_\_\_\_

Architect: \_\_\_\_\_

Roofing Contractor: \_\_\_\_\_

#### Project Type:

By selecting this box you have verified and confirmed that dimensions, sizes, and quantities are correct. All products will be installed in strict accordance with printed instructions.

Date: \_\_\_\_\_

**Elevate**  
26 Century Blvd.  
Suite 205  
Nashville, TN 37214  
Contact your local  
Elevate representative.

SHT# 1 of 1

DATE: 03/20/23

DRN BY: JJC

CKD BY: MM

DWG #: 13010-1118

REV: P

### DIMENSIONS

PRODUCT ID. NO.	H DIM	X DIM	NAILER COVERAGE
<input type="checkbox"/> AEFC-552	5 1/2"	2 5/8"	1 NAILER
<input type="checkbox"/> AEFC-752	7 1/2"	4 5/8"	2 NAILERS
<input type="checkbox"/> AEFC-852	8 1/2"	5 5/8"	3 NAILERS
<input type="checkbox"/> AEFC-1002	10"	7 1/8"	4 NAILERS

### MATERIAL

- 24 Ga. Galv. Steel
- 22 Ga. Galv. Steel
- .040" Aluminum
- .050" Aluminum
- .063" Aluminum
- OTHER: \_\_\_\_\_

Color: \_\_\_\_\_

Finish: \_\_\_\_\_

**Substrate:**  Wood

If substrate is not given, wood fasteners will be provided.  Masonry

Metal

### QUANTITIES

\_\_\_\_\_ Lineal Feet (12'-0" Lengths)

\_\_\_\_\_ Outside Miter (90°)

\_\_\_\_\_ Inside Miter (90°)

\_\_\_\_\_ Right Endcaps

\_\_\_\_\_ Left Endcaps

\_\_\_\_\_ Right Endwall Flashing

\_\_\_\_\_ Left Endwall Flashing

\_\_\_\_\_ Overflow Scupper  
Style A Style B

\_\_\_\_\_ Spillout Scupper  
Style A Style B

\_\_\_\_\_ Downspout Scupper  
Style A Style B

Downspout Size \_\_\_\_\_x\_\_\_\_\_  
Max. Downspout Size is 5" x 6"  
Custom print needed for larger sizes.  
Style A=Tapered 1.5" Drop | Style B=Flat