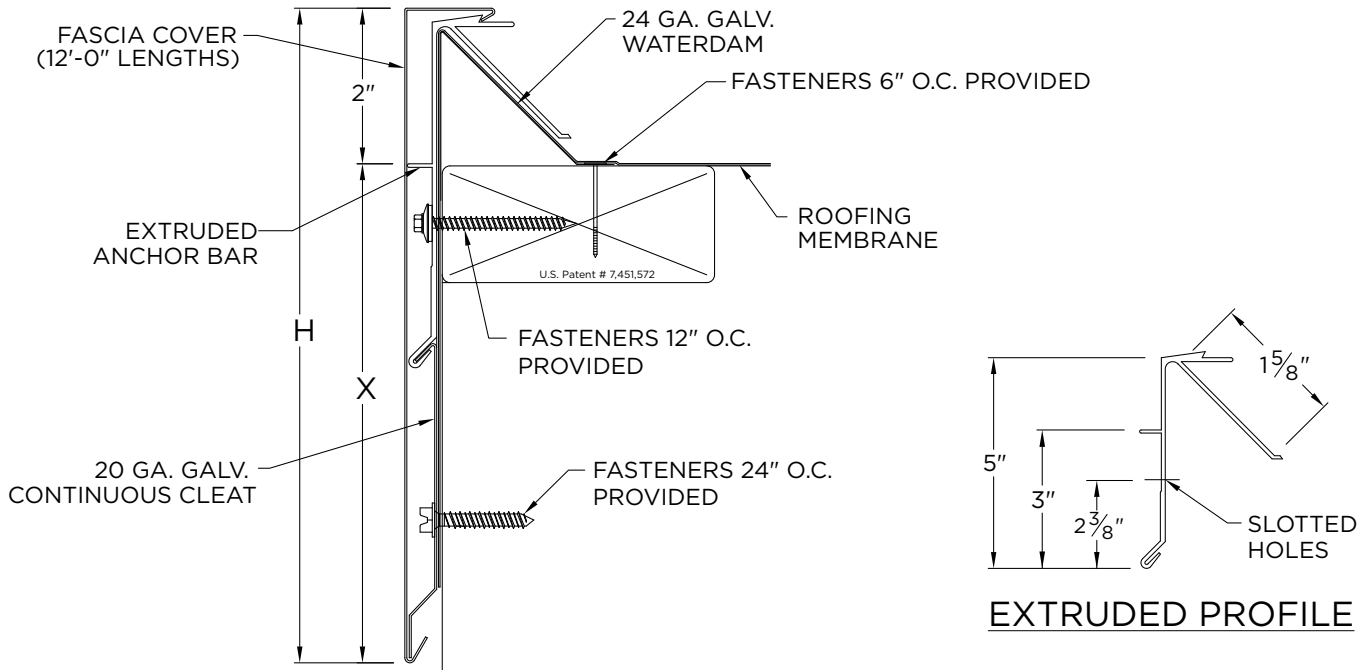


TERMINEDGE CANTED XT WD FASCIA

GALVANIZED WATERDAM VERSION

NOTES

- Fascia cover provided with splice plates
- For non-90 miters, see separate print approval
- Product should be installed per provided installation instructions
- ANSI/SPRI/FM 4435/ES-1 Test Pressure up to 139 psf



APPROVALS



ANSI/SPRI/FM 4435/ES-1
Test Pressures listed in notes

PROJECT INFO

Project Name: _____

Architect: _____

Roofing Contractor: _____

Project Type:

By selecting this box you have verified and confirmed that dimensions, sizes, and quantities are correct. All products will be installed in strict accordance with printed instructions.

Date: _____

Hickman Edge Systems
4 Commerce Way
Arden, NC 28704
Phone: 828-676-1700
www.hickmanedgesystems.com

SHT# 1 of 1
DATE: 10/18/21
DRN BY: JJC
CKD BY: MM
DWG #: 64010-36609
REV: A

DIMENSIONS

PRODUCT ID. NO.	H DIM	X DIM	NAILER COVERAGE
<input type="checkbox"/> AEFC-902	9"	7"	4 NAILERS
<input type="checkbox"/> AEFC-1052	10 1/2"	8 1/2"	5 NAILERS
<input type="checkbox"/> AEFC-1202	12"	10"	6 NAILERS
<input type="checkbox"/> AEFC-1352	13 1/2"	11 1/2"	7 NAILERS

MATERIAL

- 22 Ga. Galv. Steel
- .050" Aluminum
- .063" Aluminum
- OTHER: _____

Color: _____
Finish: _____

Substrate: Wood
 Masonry
 Metal
If substrate is not given, wood fasteners will be provided.

QUANTITIES

- _____ Lineal Feet (12'-0" Lengths)
- _____ Outside Miter (90°)
- _____ Inside Miter (90°)
- _____ Right Endcaps
- _____ Left Endcaps
- _____ Right Endwall Flashing
- _____ Left Endwall Flashing
- _____ Overflow Scupper
 - Style A
 - Style B
- _____ Spillout Scupper
 - Style A
 - Style B
- _____ Downspout Scupper
 - Style A Style B
 - Size _____x_____
 - Style A=Tapered 1.5" Drop | Style B=Flat