

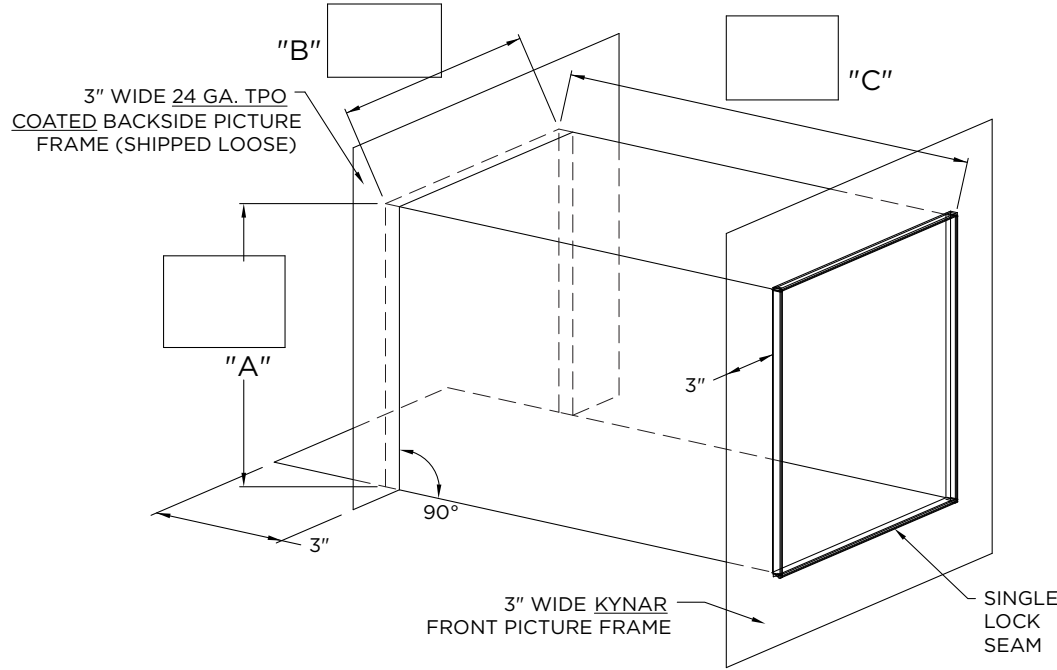


THRU-WALL SCUPPER

TPO COATED

NOTES

- Backside and inside of box is 24 ga. TPO coated material
- Front is Kynar
- Product should be installed per provided installation instructions



PROJECT INFO

Project Name: _____

Architect: _____

Roofing Contractor: _____

Project Type:

By selecting this box you have verified and confirmed that dimensions, sizes, and quantities are correct. All products will be installed in strict accordance with printed instructions.

Date: _____

Versico
Customer Service
800-558-2162
(Metal-Era)

SHT# 1 of 1

DATE: 12/19/23

DRN BY: JJC

CKD BY: MM

DWG #: 18018-18833

REV: C

DIMENSIONS

PLEASE FILL OUT DIMENSIONS ON DRAWING

MATERIAL (For Front Picture Frame)

- 24 Ga. Galv. Steel Color: _____
- .040" Aluminum Finish: _____
- .050" Aluminum

QUANTITIES

_____ Amount Required