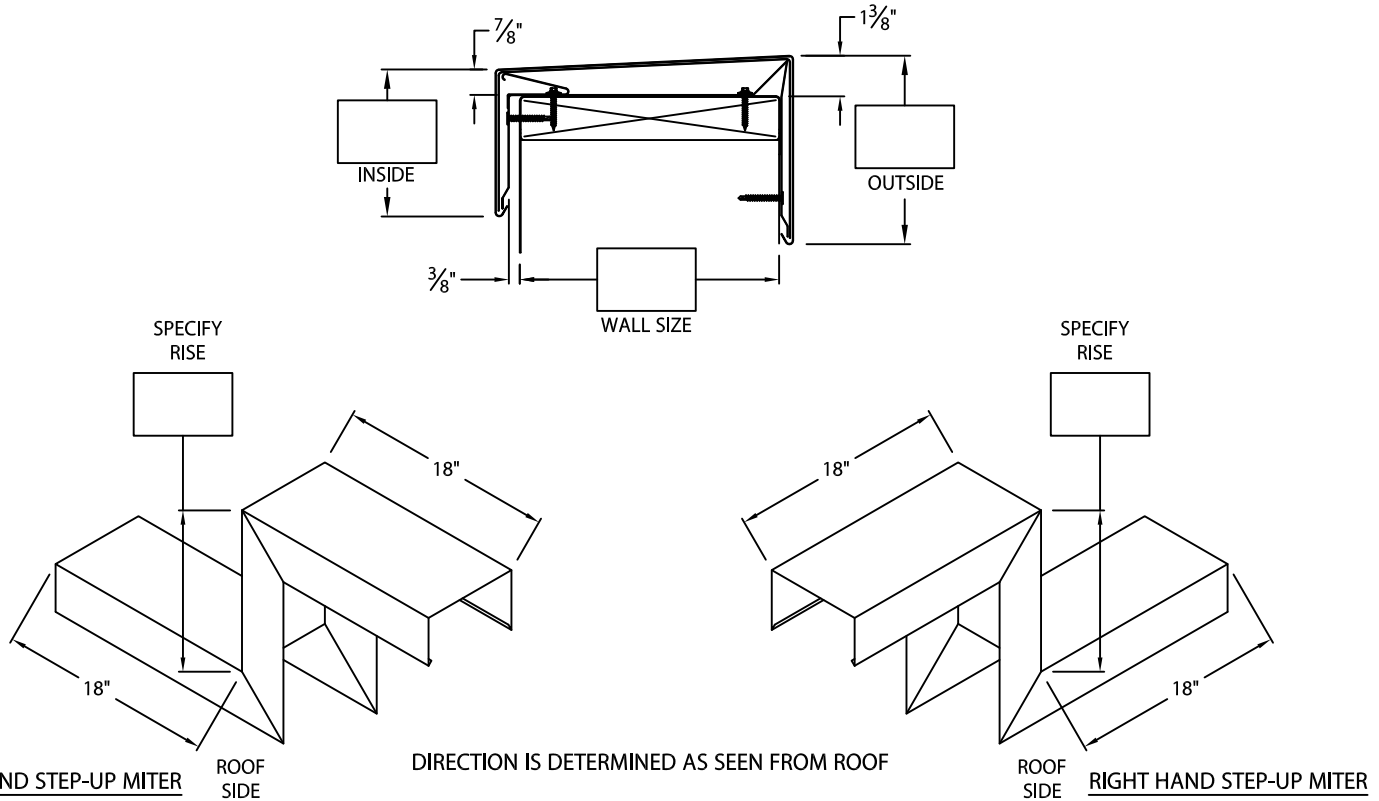


# ELEVATE GOLD STEP-UP COPING MITERS



-- CONCEALED SPLICE PLATES ARE PROVIDED WITH FACTORY APPLIED NON-CURING SEALANT STRIPS.

-- UNLESS OTHERWISE NOTED, FABRICATION OF MITERS AND ACCESSORIES ARE FURNISHED STANDARD UTILIZING A NON-PENETRATING QUICKLOCK JOINT, THEN FACTORY SEALED WATERTIGHT.

-- WELDED MITERS AND ACCESSORIES  
 CHECK ONE  REQUIRED (SURCHARGE APPLIES)  NOT APPLICABLE

### MATERIAL:

- 24 GA. GALV. STEEL
- .040" ALUMINUM      COLOR: \_\_\_\_\_
- .050" ALUMINUM
- .063" ALUMINUM      FINISH: \_\_\_\_\_
- OTHER \_\_\_\_\_

Fabrication will proceed only after receipt of signed print approval.

## Print Approval:

Architect and/or contractor shall verify all dimensions, sizes and quantities. All products to be installed in strict accordance with Elevate's printed instructions.

Approved by: \_\_\_\_\_

Date: \_\_\_\_\_

### QUANTITIES:

\_\_\_\_\_ RIGHT HAND STEP-UP MITER(S)

\_\_\_\_\_ LEFT HAND STEP-UP MITER(S)

PROJECT:

ARCHITECT:

ROOFING CONTRACTOR:

REPRESENTATIVE/DISTRIBUTOR:



ELEVATE  
 26 CENTURY BLVD.  
 SUITE 205  
 NASHVILLE, TN 37214  
 CONTACT YOUR LOCAL ELEVATE REPRESENTATIVE

DATE: 03/17/23

DRN BY: MLM

CKD BY: MM

SHT.# \_\_\_\_\_ OF \_\_\_\_\_

DWG# 13011-28659

