

# CREATIVE DESIGN SHADOWLINE MB FASCIA

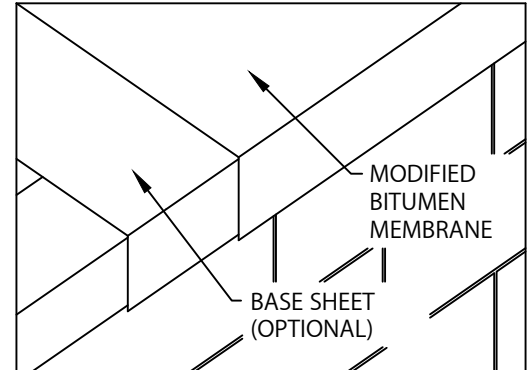
BUILT-UP OR MODIFIED VERSION

INSTALLATION INSTRUCTIONS

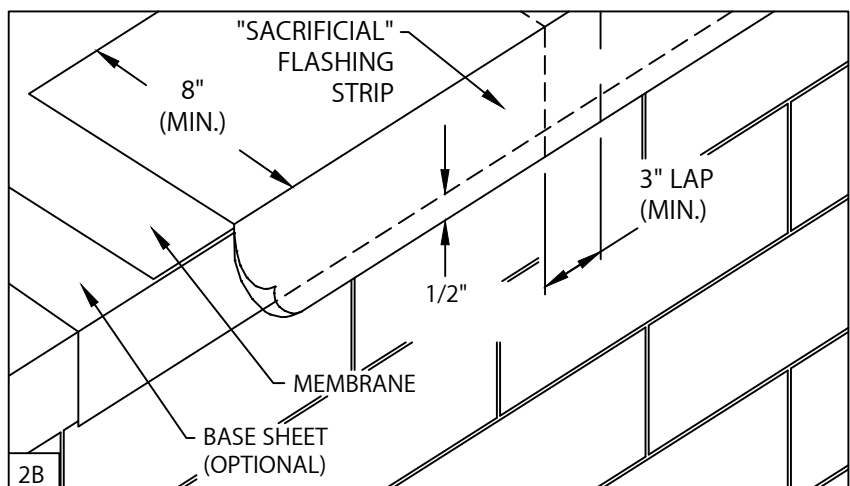
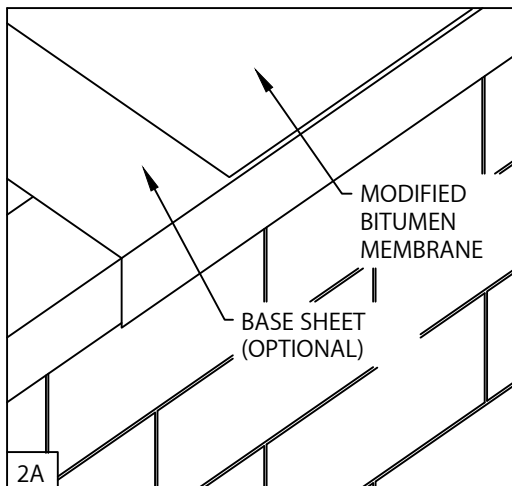
## For Use With Modified Roof Systems

### 1. Roof Membrane

Follow the general recommendations of the roofing membrane manufacturer for membrane treatment at the roof edge. Position modified membrane over the roof edge and down the outside face as shown.



NOTE: Some manufacturers may require a "sacrificial" flashing strip (Refer to drawing 2A & 2B). Please check with membrane manufacturer prior to installation.



### 2. Roof Edge

Install "sacrificial" flashing strips according to membrane manufacturers recommendations. Install the largest manageable lengths possible to minimize overlaps under the anchor bar. Following the applicable flashing method (hot mop, cold adhesive, etc..) according to the manufacturer's recommendations, lay the flashing strip into place extending a minimum 8" onto the roof membrane and down the outside face of wall, 1/2" beyond the wood nailer.

NOTE: In cold weather, the back of flashing strip should be treated appropriately and shorter lengths of flashing strips should be used.

# CREATIVE DESIGN SHADOWLINE MB FASCIA

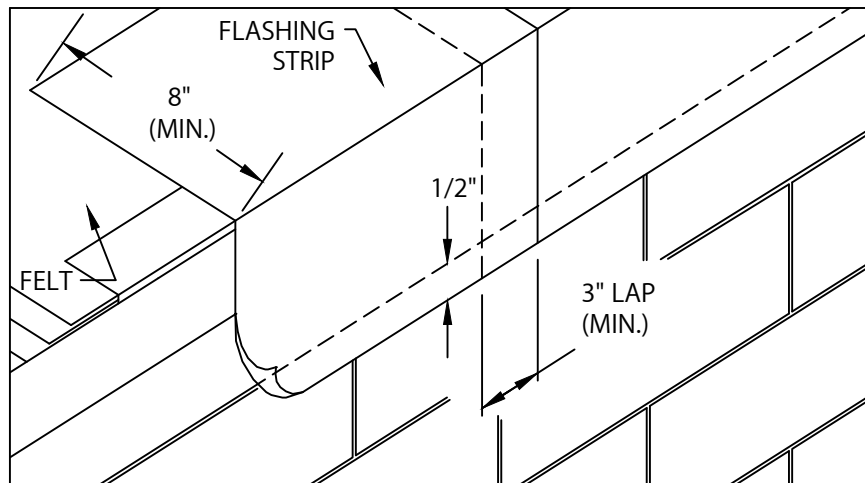
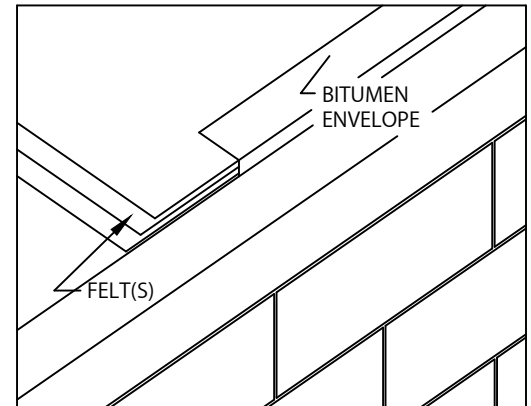
BUILT-UP OR MODIFIED VERSION

INSTALLATION INSTRUCTIONS

For Use with Built-Up Roof Systems

## 1. Roof Membrane

Prior to the application of the Fascia, it is suggested that the contractor follow the common recommended industry practice of installing an "envelope" over the ends of the base or B.U.R. plies. As always, follow the general recommendations of the roofing membrane manufacturer for membrane treatment at the roof edge.



## 2. Roof Edge

Cut flashing strip into the longest possible sections manageable to minimize laps at the edge. Starting at outside edge, mop surface of felts out onto the roof membrane with Type III or IV asphalt. Lay the flashing strip into place over the roof edge extending 1/2" below nailer and onto the roof membrane a minimum of 8". The sheet should be "worked-in" to ensure that it is firmly and uniformly bonded. In cool or cold weather, the back of flashing strip should also be mopped with the hot bitumen, and shorter lengths of flashing strips should be used. Laps in the flashing strip should be a minimum of 3" and well sealed.

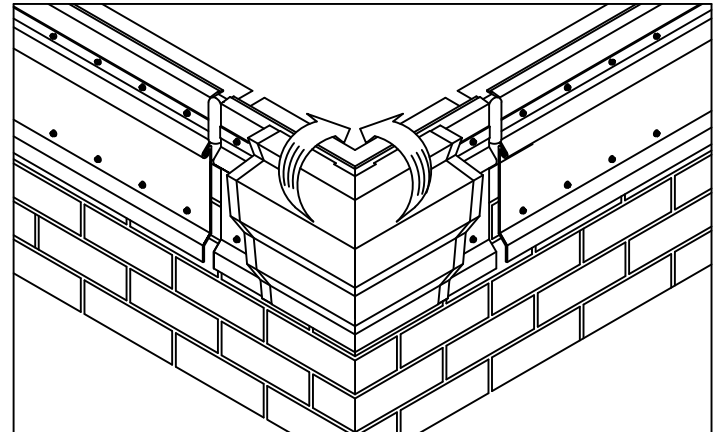
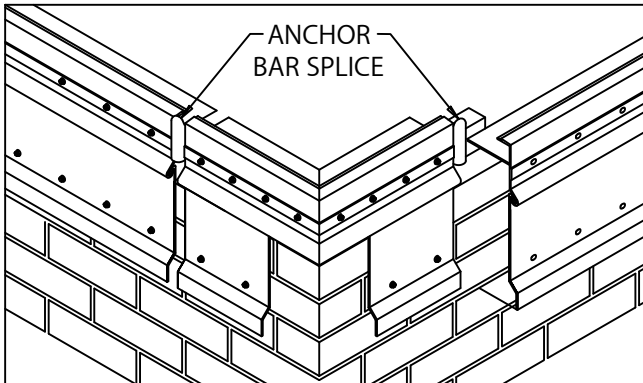
NOTE! Flashing strip is material used in construction of traditional flashing systems on built-up roofs. It readily conforms to transitions at the outside edge and wall area. (Follow general recommendations of the roofing membrane manufacturer.)

# CREATIVE DESIGN SHADOWLINE MB FASCIA

BUILT-UP OR MODIFIED VERSION

INSTALLATION INSTRUCTIONS

**IMPORTANT!** Be sure to remove protective plastic film prior to installing each fascia section.

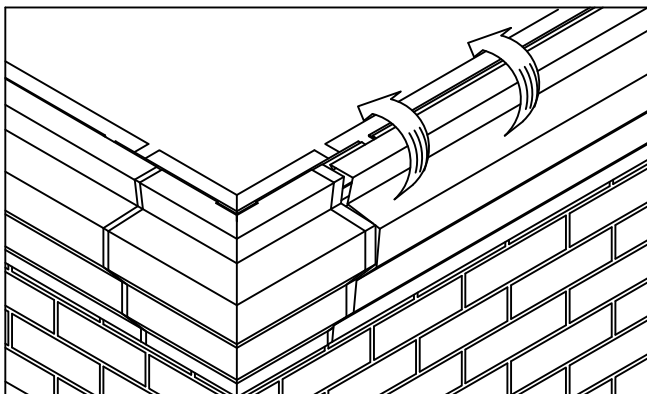


## 6. Anchor Bar & Cleat Installation

Hook anchor cleat to anchor bar as shown in step 5. Position 12'-0" anchor bar/cleat sections with applied non-curing sealant as shown in step 3 overlapping anchor bar splice plate. Allow 3/8" space between anchor bars. Install anchor bar splice plate at other end of bar / cleat section. Fasten anchor bar 12" O.C. through slotted holes using provided fasteners. Fasten anchor cleat 24" O.C. through slotted holes using provided fasteners. The anchor bars must insert into the grooves of the anchor bar splice plates. Field cut sections as necessary.

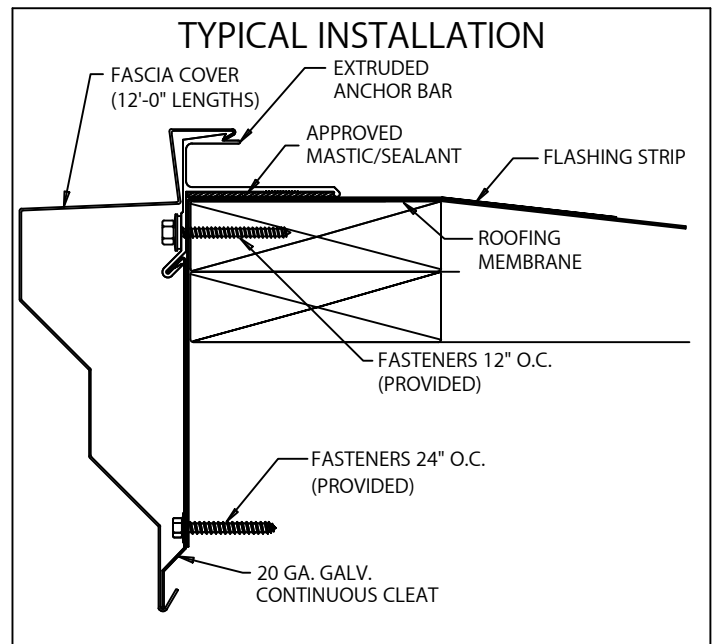
## 7. Fascia Miter Covers

Install miter covers first. Insert one splice plate under each end of miter cover. Install Miter covers by engaging miter cover onto Anchor Cleat and rotating miter cover up and over Anchor bar miter until engaged along entire length of the Anchor Bar.



## 8. Fascia Covers

Install 12'-0" fascia Cover sections. Allow a 3/8" gap between fascia cover sections. Insert one splice plate under far end of each fascia cover section. Install cover by hooking lower edge of cover onto Anchor cleat and rotating cover up and over Anchor bar until engaged along entire length of cover section. Continue to install cover sections in this manner, field cutting where necessary using a fine tooth hacksaw.



U.S. Patent # 7,451,572

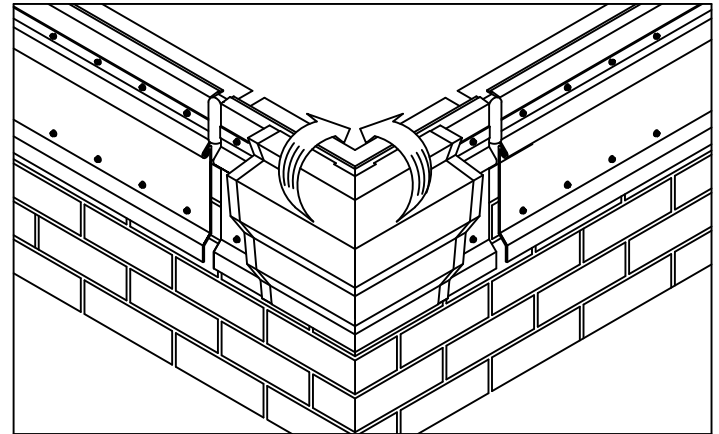
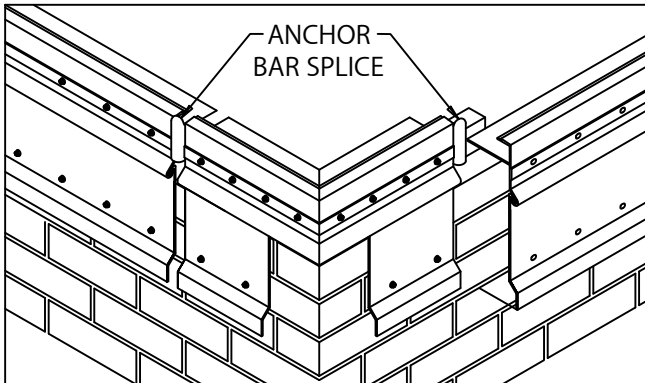
**IMPORTANT!** Be sure to remove protective film prior to installing each fascia section.

# CREATIVE DESIGN SHADOWLINE MB FASCIA

BUILT-UP OR MODIFIED VERSION

INSTALLATION INSTRUCTIONS

**IMPORTANT!** Be sure to remove protective plastic film prior to installing each fascia section.

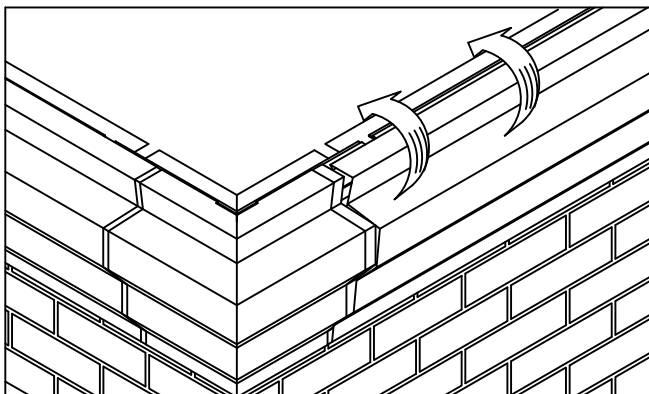


## 6. Anchor Bar & Cleat Installation

Hook anchor cleat to anchor bar as shown in step 5. Position 12'-0" anchor bar/cleat sections with applied non-curing sealant as shown in step 3 overlapping anchor bar splice plate. Allow 3/8" space between anchor bars. Install anchor bar splice plate at other end of bar / cleat section. Fasten anchor bar 12" O.C. through slotted holes using provided fasteners. Fasten anchor cleat 24" O.C. through slotted holes using provided fasteners. The anchor bars must insert into the grooves of the anchor bar splice plates. Field cut sections as necessary.

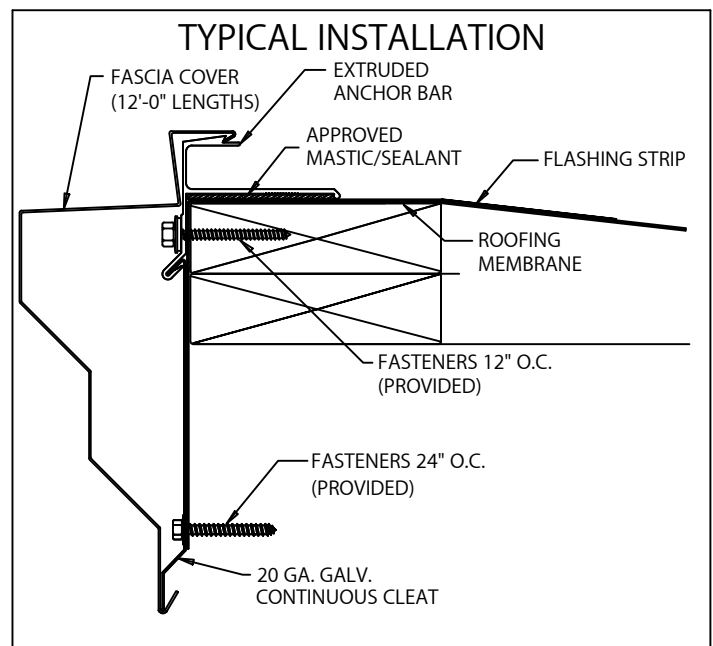
## 7. Fascia Miter Covers

Install miter covers first. Insert one splice plate under each end of miter cover. Install Miter covers by engaging miter cover onto Anchor Cleat and rotating miter cover up and over Anchor bar miter until engaged along entire length of the Anchor Bar.



## 8. Fascia Covers

Install 12'-0" fascia Cover sections. Allow a 3/8" gap between fascia cover sections. Insert one splice plate under far end of each fascia cover section. Install cover by hooking lower edge of cover onto Anchor cleat and rotating cover up and over Anchor bar until engaged along entire length of cover section. Continue to install cover sections in this manner, field cutting where necessary using a fine tooth hacksaw.



U.S. Patent # 7,451,572

**IMPORTANT!** Be sure to remove protective film prior to installing each fascia section.

**HICKMAN**  
an MTL company

Phone: 828-676-1700

www.hickmanedgesystems.com

DATE: 01/31/22

DRN BY: MLM

CKD BY: MM

SHT.# 4 OF 4

DWG# 64110-37759

A