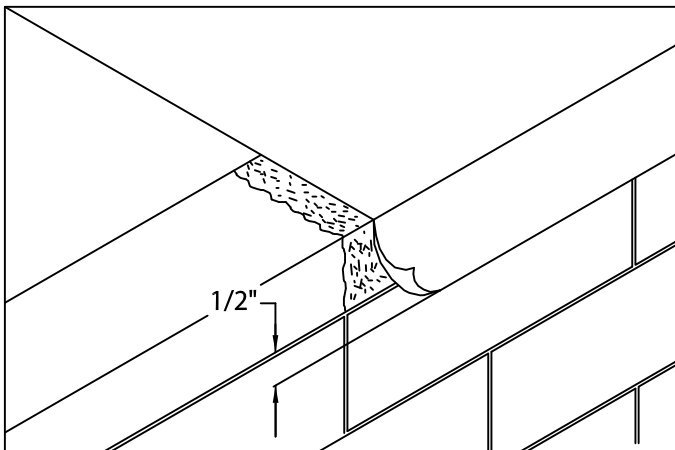




ELEVATE ANCHORGARD® PLATINUM EXTENDED FASCIA

PLATINUM VERSION

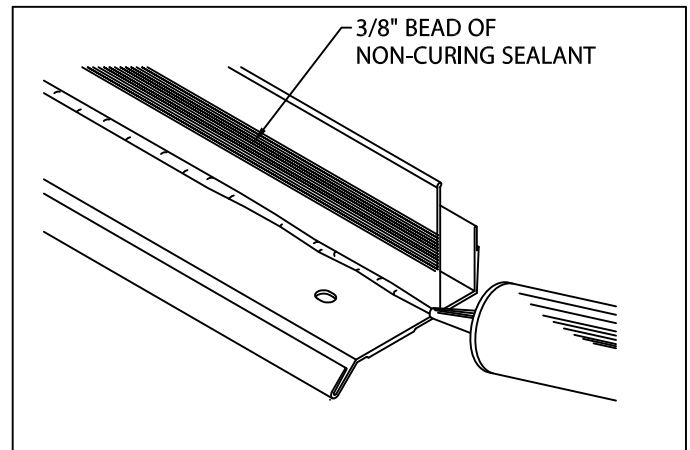
INSTALLATION INSTRUCTIONS



1. Roof Membrane

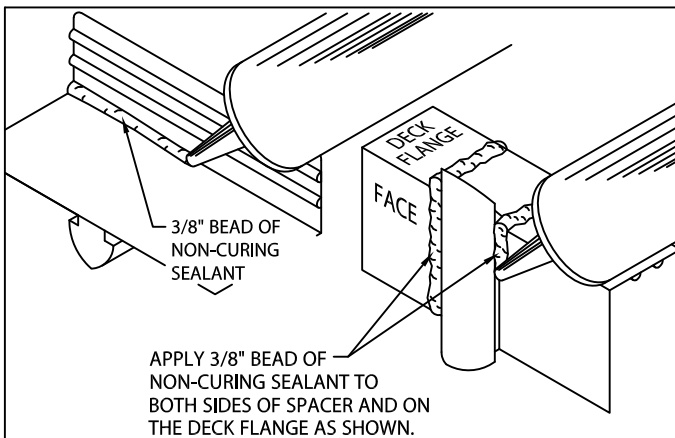
Position membrane over the roof edge and down outside face of wall, covering treated wood nailer(s) completely. Allow 1/2" excess membrane.

IMPORTANT! Outside edge of treated wood nailer(s) (minimum 2 x 4) shall be aligned flush with outermost edge of wall. Fascia is for use as a perimeter securement on roof designs where the product is not installed in a waterline.



2. Miter & Scupper Anchor Bar (Preparation)

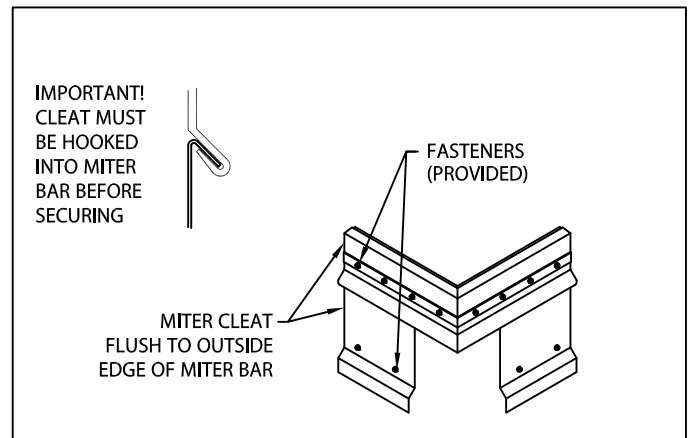
Lay miters and scuppers on deck with outside face down. Be sure aluminum anchor bar is clean and free of dirt or dust. Apply a heavy 3/8" bead of non-curing sealant to the right angle intersection of the deck flange and back of anchor bar as shown. Application of sealant is required along the full length of each miter anchor bar.



3. Anchor Bar Splice Plates

Apply non-curing sealant sealant to each splice plate as shown. Ensure sealant is placed into the grooves along the spacer.

CAUTION! Installers shall wear protective eye wear to prevent injury. Do not over-drive fasteners, as stripping can occur at high driver torque. Recommended driving tool: 600 - 800 rpm electric drill equipped with depth-sensing nose-piece to prevent driving and stripout. Do not use impact type tool.



4. Miter Bar & Cleat Installation

Hook miter cleat pieces to miter bar. Flush ends of each. Fold roofing membrane at corners then install assembly with one bar splice under each end. The anchor bar must insert into the grooves of the splice plate. Fasten bar with provided fasteners. Fasten miter cleat using provided fasteners. Next, locate and install scuppers with sealant, fasteners and splices.



ELEVATE
26 CENTURY BLVD.
SUITE 205
NASHVILLE, TN 37214

CONTACT YOUR LOCAL ELEVATE REPRESENTATIVE

DATE: 10/16/23
DRN BY: ZS
CKD BY: MM

SHT.# 1 OF 3

DWG# 13110-1110

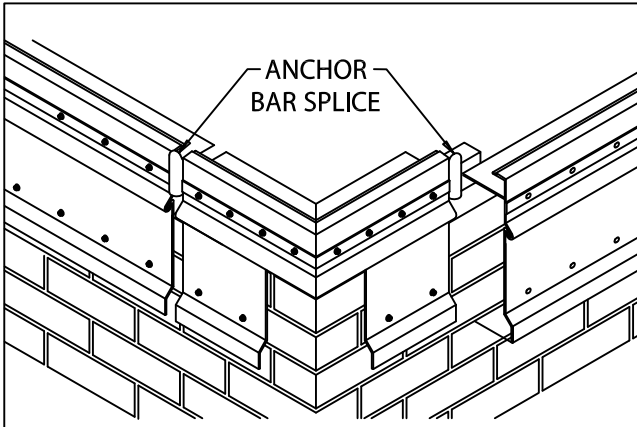




ELEVATE ANCHORGARD® PLATINUM EXTENDED FASCIA

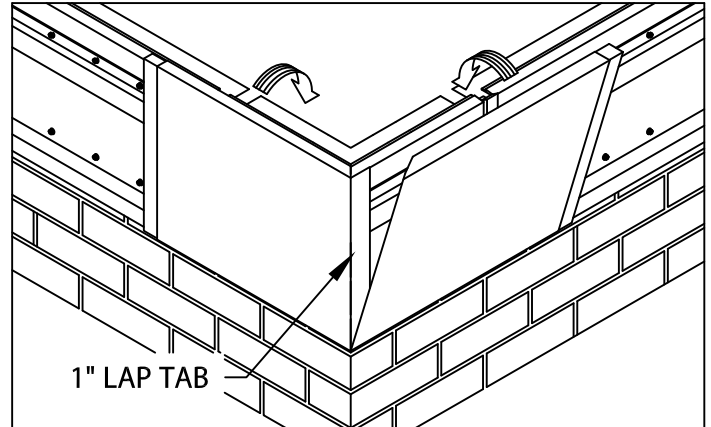
PLATINUM VERSION

INSTALLATION INSTRUCTIONS



5. Anchor Bar & Cleat (Installation)

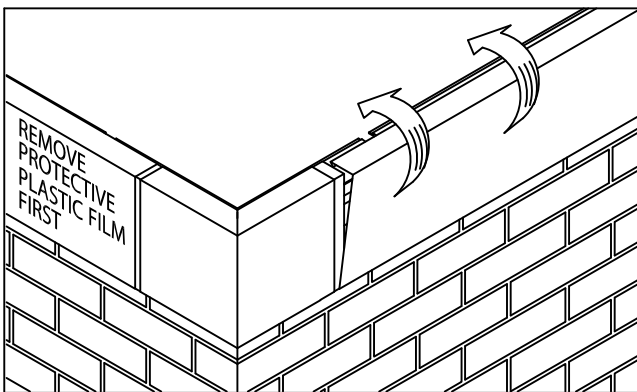
Hook anchor cleat to bar as shown in step 4. Position 12' bar/cleat sections with applied non-curing sealant as shown in step 2 overlapping splice plate and butting snugly into epdm gasket. Allow 3/8" space between bars. Fasten bar through slotted holes using fasteners provided. Fasten cleat using provided fasteners. The anchor bars must insert into the grooves of the splice plates. Field cut sections as necessary.



6. Fascia Miter Covers

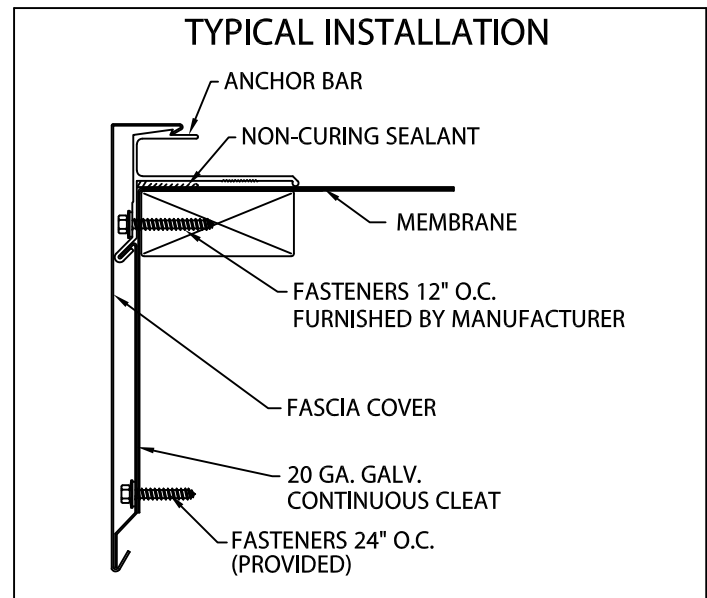
Install miter covers first. Insert one splice plate under each end of the two piece miter cover. Engage cover with 90° tab onto bottom of anchor bar and rotate miter cover up and over anchor bar miter until engaged along entire length of the anchor bar. Repeat steps to install miter cover without the 90° tab.

IMPORTANT! Be sure to remove protective plastic film prior to installing each fascia section.



7. Fascia Covers

Install 12'-0" fascia cover sections. Allow a 3/8" gap between fascia cover sections. Insert one splice plate under far end of each fascia cover section. Install cover by hooking lower edge of cover onto anchor cleat and rotating cover up and over anchor bar until engaged along entire length of cover section. Continue to install cover sections in this manner, field cutting where necessary using a fine tooth hacksaw.



ELEVATE
26 CENTURY BLVD.
SUITE 205
NASHVILLE, TN 37214

CONTACT YOUR LOCAL ELEVATE REPRESENTATIVE

DATE: 10/16/23

DRN BY: ZS

CKD BY: MM

SHT.# 2 OF 3

DWG# 13110-1110



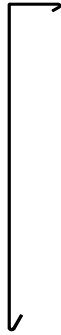


ELEVATE ANCHORGARD® PLATINUM EXTENDED FASCIA

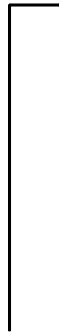
PLATINUM VERSION

INSTALLATION INSTRUCTIONS

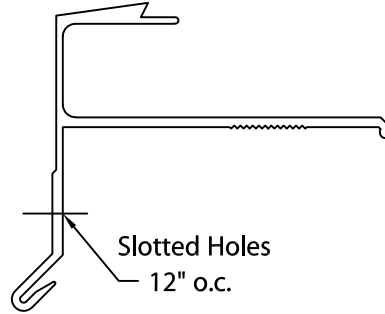
COMPONENT LIST



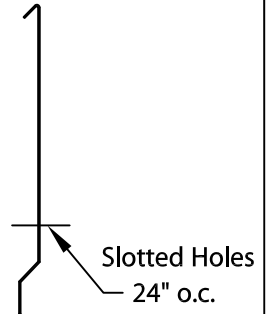
Fascia Cover
12'-0" Lengths



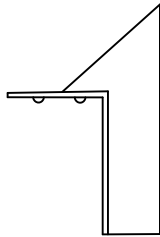
Cover Splice Plate
3½" Wide



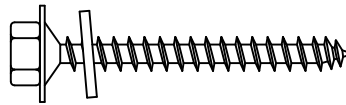
Extruded Anchor Bar
12'-0" Lengths



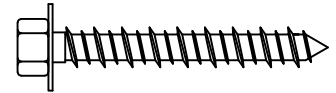
Continuous Anchor Cleat
12'-0" Lengths



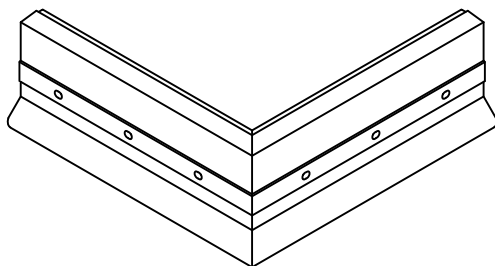
Anchor Bar Splice
3½" Wide w/ ¾" EPDM Gasket



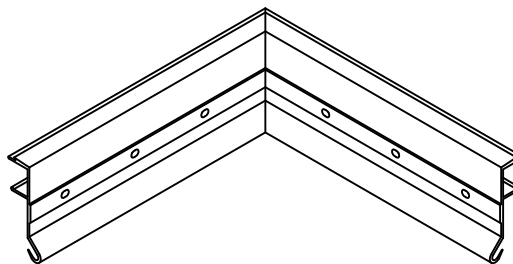
Fastener W / Washer
for installing Anchor Bar



Fastener W / Washer
for installing Anchor Cleat



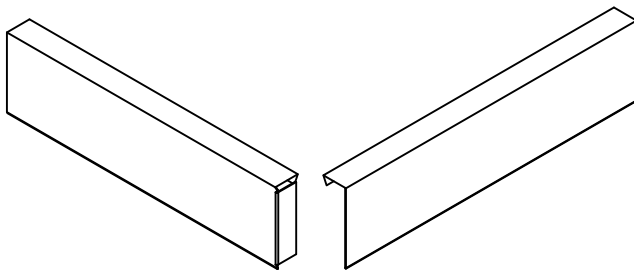
Anchor Bar Miter
Outside



Anchor Bar Miter
Inside

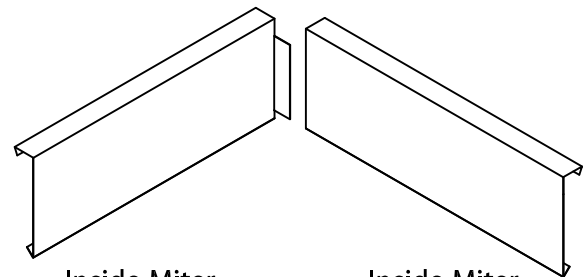


Anchor Cleat for Miters
(2) 14" Long pcs. per miter



Outside Miter
Cover With Tab

Outside Miter
Cover Without Tab



Inside Miter
Cover With Tab

Inside Miter
Cover Without Tab



ELEVATE
26 CENTURY BLVD.
SUITE 205
NASHVILLE, TN 37214

CONTACT YOUR LOCAL ELEVATE REPRESENTATIVE

DATE: 10/16/23

DRN BY: ZS

CKD BY: MM

SHT.# 3 OF 3

DWG# 13110-1110

