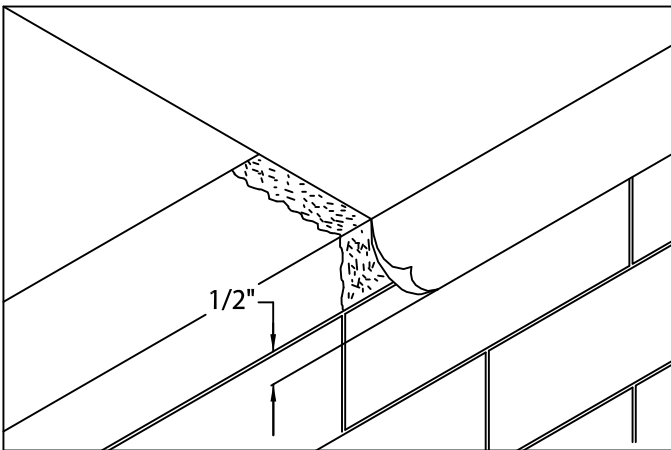




# ELEVATE ANCHORGARD® PLATINUM HG FASCIA

PLATINUM VERSION

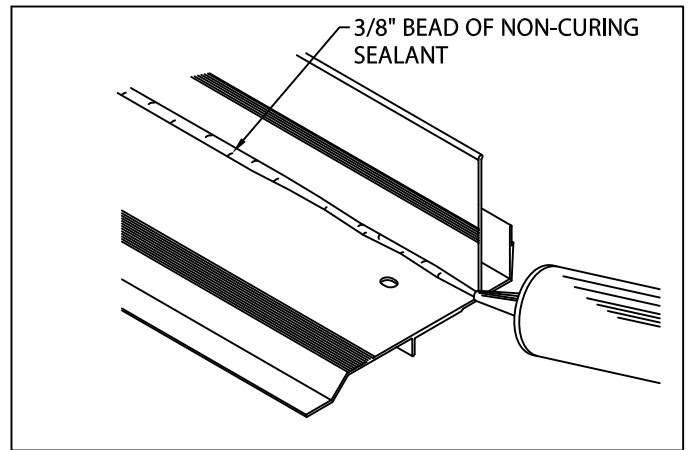
## INSTALLATION INSTRUCTIONS



### 1. Roof Membrane

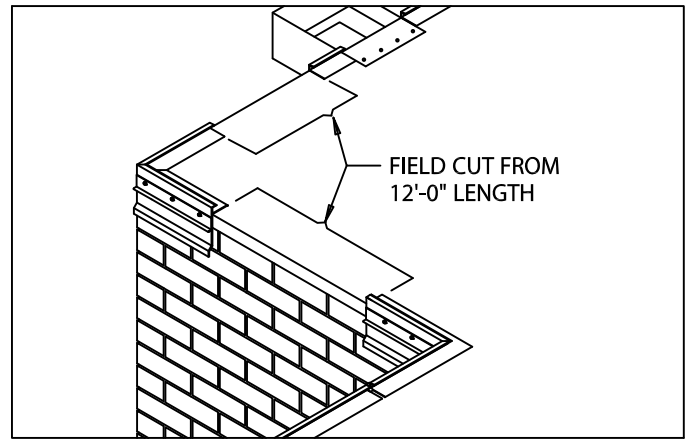
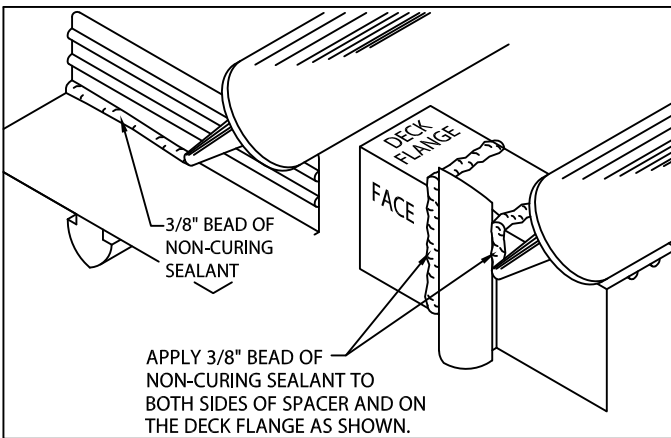
Position membrane over the roof edge and down outside face of wall, covering treated wood nailer(s) completely. Allow 1/2" excess membrane.

**IMPORTANT!** Outside edge of treated wood nailer(s) (minimum 2 x 4) shall be aligned flush with or extend slightly past outermost edge of wall. Fascia is for use as a perimeter securement on roof designs where the product is not installed in a waterline.



### 2. Miter & Scupper Anchor Bar (Preparation)

Lay miters and spill out scuppers on deck with outside face down. Be sure aluminum anchor bar is clean and free of dirt or dust. Apply a heavy 3/8" bead of non-curing sealant to the right angle intersection of the deck flange and back of anchor bar as shown. Application of sealant is required along the full length of each miter anchor bar.



### 3. Anchor Bar Splice Plates

Apply non-curing sealant to each splice plate as shown and described in STEP 2. Ensure the sealant is placed into the grooves along the spacer.

**CAUTION!** Installers shall wear protective eye wear to prevent injury. Do not over-drive fasteners, as stripping can occur at high driver torque. Recommended driving tool: 600 - 800 rpm electric drill equipped with depth-sensing nose-piece to prevent driving and stripout. Do not use impact type tool.

### 4. Miter Bar Installation

Fold roofing membrane at corners and install miters bars using fasteners and driver bit provided. Fasten anchor bar corners to nailer with one splice plate under each end of corner. The anchor bar must insert into the grooves of the splice plate. Next locate and install spill outs and scuppers with sealant, fasteners and anchor bar splice plates.



ELEVATE  
26 CENTURY BLVD.  
SUITE 205  
NASHVILLE, TN 37214  
CONTACT YOUR LOCAL ELEVATE REPRESENTATIVE

DATE: 10/16/23  
DRN BY: ZS  
CKD BY: MM

SHT.# 1 OF 3  
DWG# 13110-6996

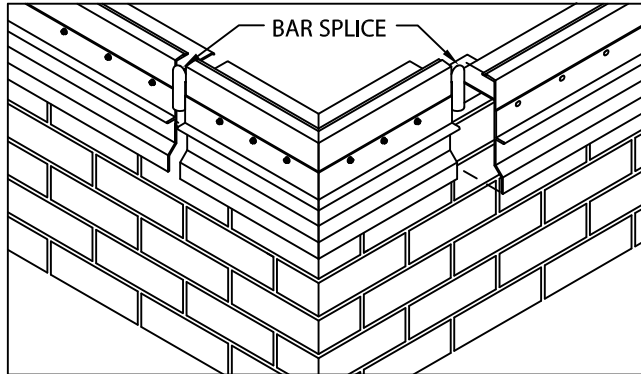




# ELEVATE ANCHORGARD® PLATINUM HG FASCIA

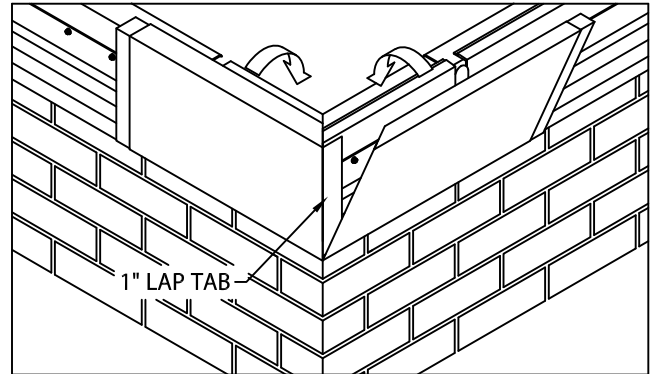
PLATINUM VERSION

## INSTALLATION INSTRUCTIONS



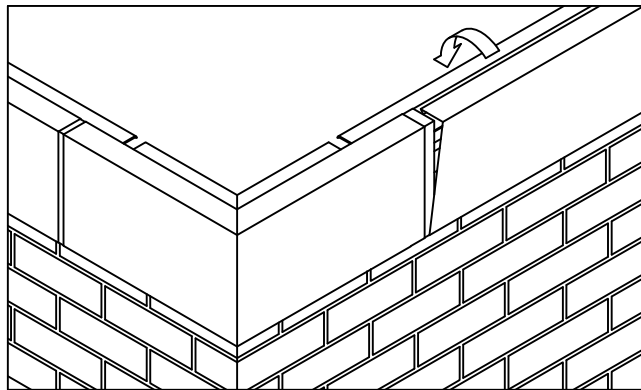
### 5. Anchor Bar Installation

Position 12' anchor bar sections with applied non-curing sealant as shown in step 3, overlapping anchor bar splice plate. Allow  $\frac{3}{8}$ " space between anchor bars. Install anchor bar splice plate at other end of bar section. Fasten anchor bar 12" O.C. through slotted holes using provided fasteners. The anchor bars must insert into the grooves of the splice plates. Field cut sections as necessary.



### 6. Fascia Miter Covers

Install miter covers first. Insert one splice plate under each end of the two piece miter cover. Engage cover with 90° tab onto bottom of anchor bar and rotate miter cover up and over anchor bar miter until engaged along entire length of the anchor bar. Repeat steps to install miter cover without the 90° tab.

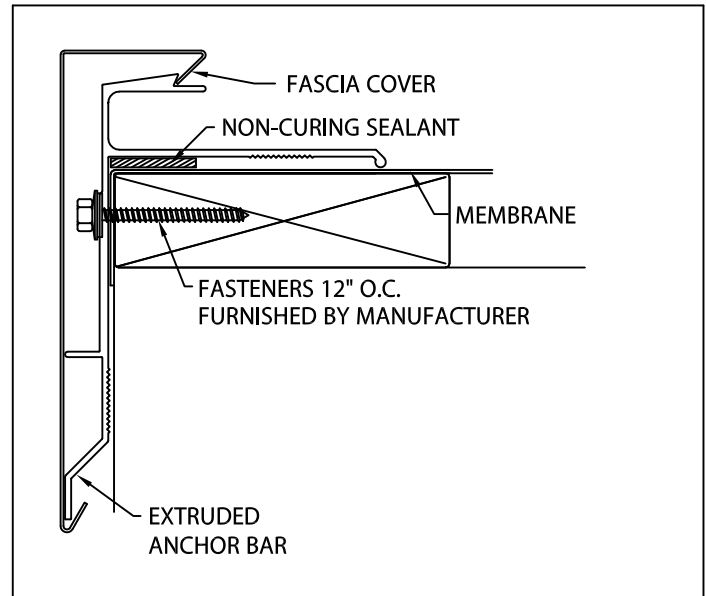


### 7. Fascia Covers

Install 12'-0" fascia cover sections. allow a  $\frac{3}{8}$ " gap between fascia cover sections. Insert one splice plate under far end of each fascia cover section. Install cover by hooking lower edge of cover onto anchor bar and rotating cover up and over anchor bar until engaged along entire length of cover section. Continue to install cover sections in this manner, field cutting where necessary using a fine tooth hacksaw.

**IMPORTANT!** Be sure to remove protective plastic film prior to installing each fascia section.

### TYPICAL INSTALLATION



ELEVATE  
26 CENTURY BLVD.  
SUITE 205  
NASHVILLE, TN 37214

CONTACT YOUR LOCAL ELEVATE REPRESENTATIVE

DATE: 10/16/23  
DRN BY: ZS  
CKD BY: MM

SHT.# 2 OF 3

DWG# 13110-6996

L



# ELEVATE ANCHORGARD® PLATINUM HG FASCIA

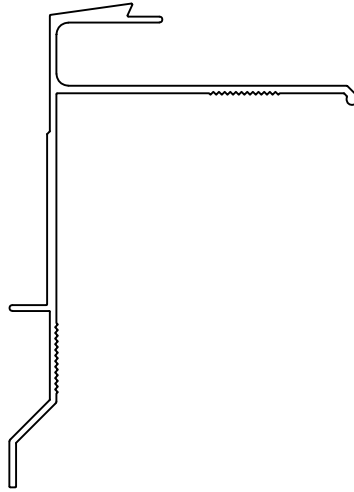
PLATINUM VERSION

## INSTALLATION INSTRUCTIONS

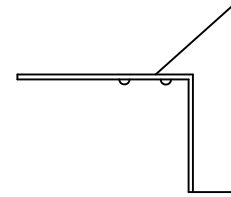
### COMPONENT LIST



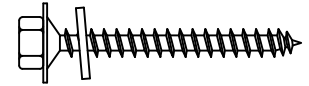
FASCIA COVER  
12' - 0" LENGTHS



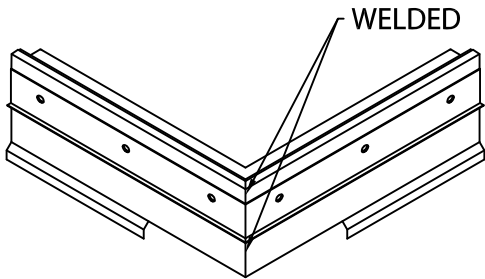
ANCHOR BAR  
12' - 0" LENGTHS



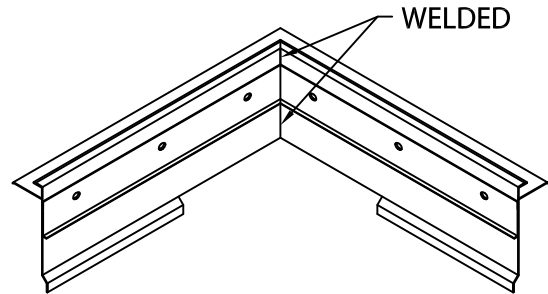
ANCHOR BAR SPLICE  
3 1/2" WIDE W/ 3/4" EPDM GASKET



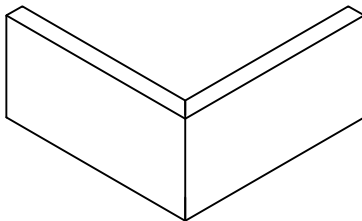
SCREW W/ WASHER



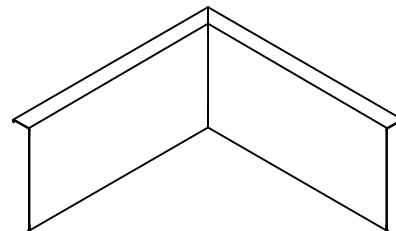
OUTSIDE MITER BAR



INSIDE MITER BAR



OUTSIDE MITER FASCIA COVER



INSIDE MITER FASCIA COVER



ELEVATE  
26 CENTURY BLVD.  
SUITE 205  
NASHVILLE, TN 37214  
CONTACT YOUR LOCAL ELEVATE REPRESENTATIVE

DATE: 10/16/23  
DRN BY: ZS  
CKD BY: MM

SHT.# 3 OF 3  
DWG# 13110-6996

L