

# SECUREDGE 200 DOUBLE TAPERED COPING

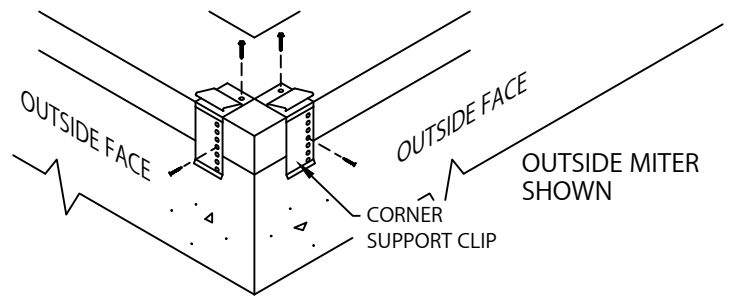
3'-0" O.C.

## INSTALLATION INSTRUCTIONS

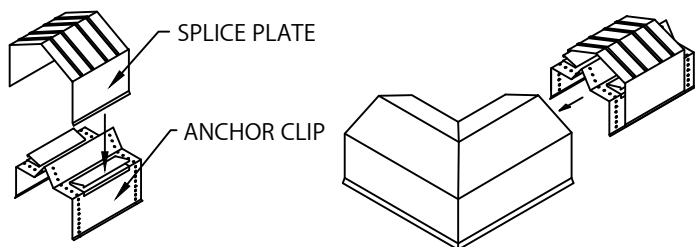
**IMPORTANT:** Prior to installation, read instructions carefully.

**NOTE:** Position roof membrane on top of the wall covering the treated wood nailer(s) or substrate completely. Allow 1/2" minimum excess membrane beyond nailer where applicable. NRCA requirement.

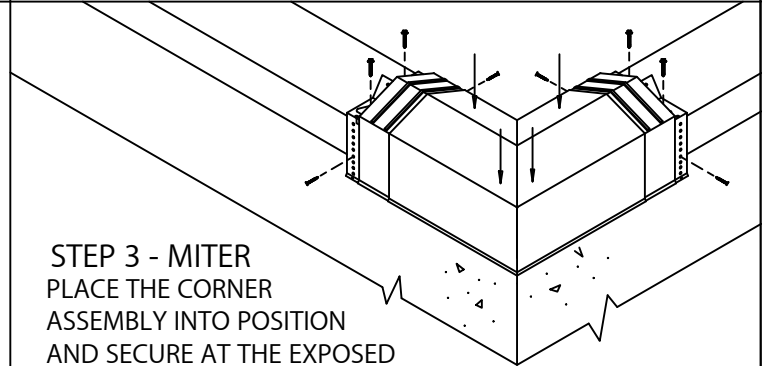
**CAUTION:** INSTALL MITERS FIRST!



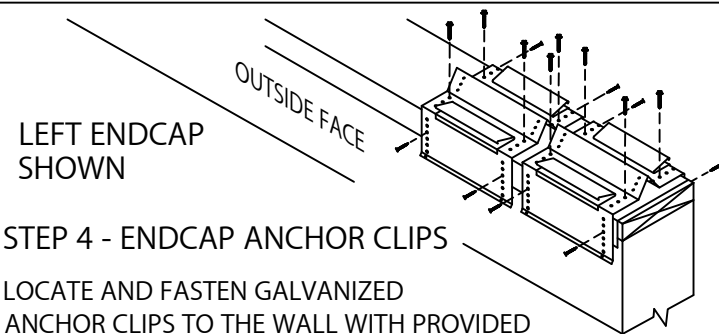
**STEP 1 - CORNER SUPPORT CLIPS**  
LOCATE AND FASTEN GALVANIZED CORNER SUPPORT CLIPS TO THE WALL.



**STEP 2 - MITER SPLICE PLATES & ANCHOR CLIPS**  
POSITION THE SPLICE PLATE IN THE CENTER OF THE ANCHOR CLIP. INSTALL THE SPLICE PLATE AND ANCHOR CLIP ASSEMBLY INTO EACH END OF THE MITER AS SHOWN

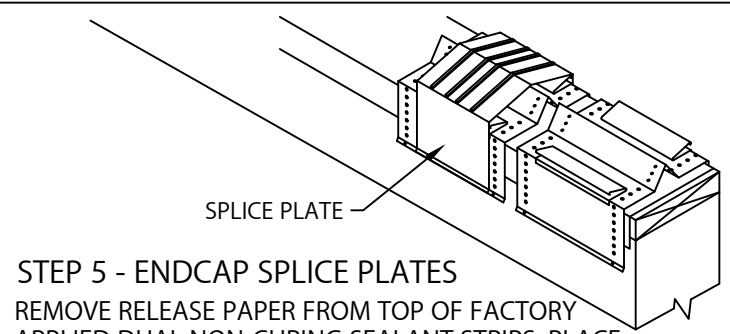


**STEP 3 - MITER**  
PLACE THE CORNER ASSEMBLY INTO POSITION AND SECURE AT THE EXPOSED EDGE OF THE ANCHOR CLIPS AS PER DETAIL A.

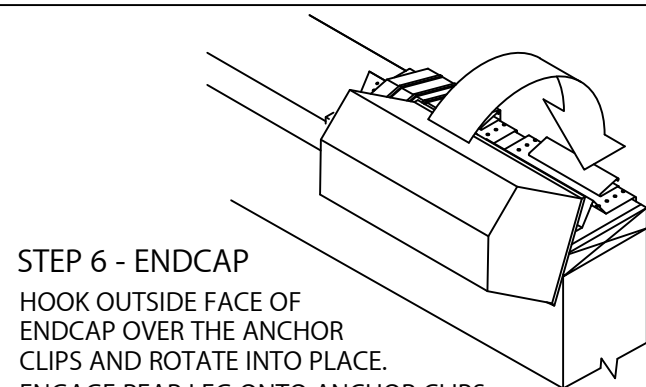


**LEFT ENDCAP SHOWN**

**STEP 4 - ENDCAP ANCHOR CLIPS**  
LOCATE AND FASTEN GALVANIZED ANCHOR CLIPS TO THE WALL WITH PROVIDED FASTENERS (SEE DETAIL A)



**STEP 5 - ENDCAP SPLICE PLATES**  
REMOVE RELEASE PAPER FROM TOP OF FACTORY APPLIED DUAL NON-CURING SEALANT STRIPS. PLACE SPLICE PLATE ONTO SECOND ANCHOR CLIP AS SHOWN.



**STEP 6 - ENDCAP**  
HOOK OUTSIDE FACE OF ENDCAP OVER THE ANCHOR CLIPS AND ROTATE INTO PLACE. ENGAGE REAR LEG ONTO ANCHOR CLIPS BY PRESSING DOWNWARD UNTIL SNAP LOCK OCCURS.

### ANCHOR CLIP FASTENING-DETAIL A

LOCATE FASTENERS IN THIRD FULL HOLE FROM THE BEND

INSIDE FACE

OUTSIDE FACE

LOCATE FASTENERS IN ONE OF FIRST FIVE HOLES FROM DRIP



Customer Service  
866-458-3537  
(Metal-Era)

DATE: 07/25/22  
DRN BY: MLM  
CKD BY: MM

SHT.# 1 OF 2  
DWG# 15111-39130

A

# SECUREDGE 200 DOUBLE TAPERED COPING

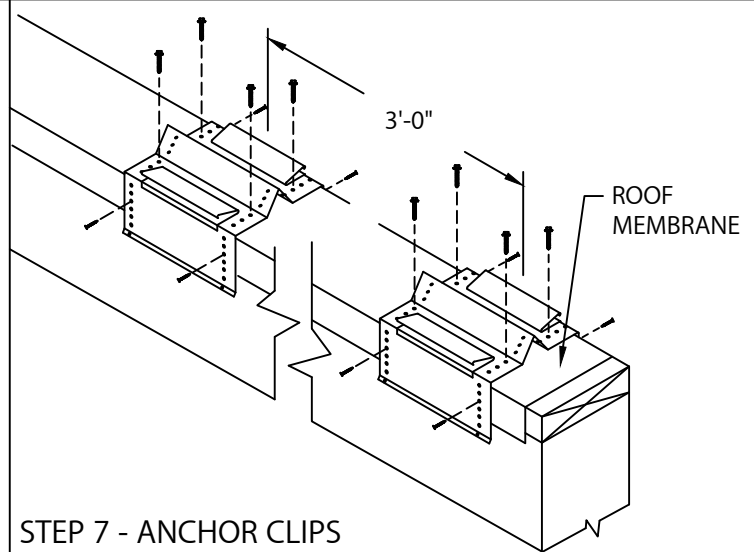
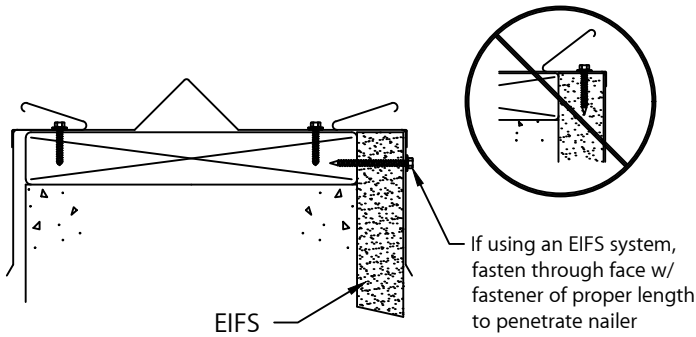
3'-0" O.C.

## INSTALLATION INSTRUCTIONS

### INSTALLATION NOTES:

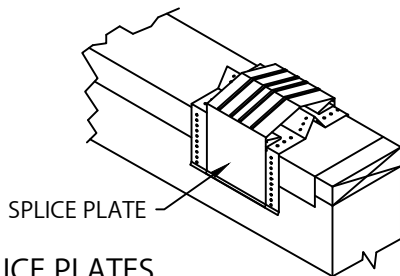
1) Installing contractor shall check as-built conditions, including nailer attachment, and verify the manufacturer's coping details for accuracy to fit the wall assembly prior to fabrication.

2) Fasteners must be corrosion resistant and rated for a minimum 250# pullout force for the substrate that is being used.



### STEP 7 - ANCHOR CLIPS

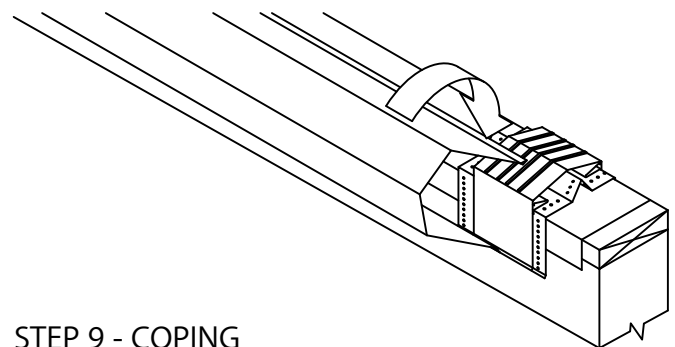
LOCATE AND FASTEN GALVANIZED ANCHOR CLIPS TO THE WALL AT 3'-0" O.C. WITH PROVIDED FASTENERS (SEE DETAIL A)



### STEP 8 - SPLICE PLATES

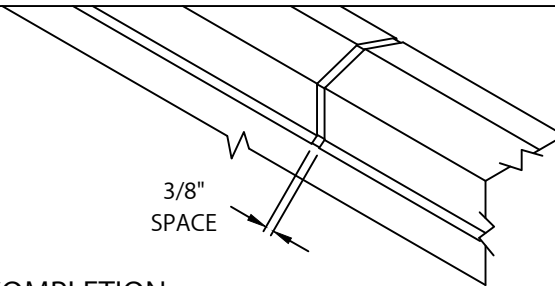
PLACE SPLICE PLATE ONTO ANCHOR CLIPS AT SPLICE JOINTS, 12'-0" O.C.

NOTE: REMOVE RELEASE PAPER FROM SEALANT STRIPS.



### STEP 9 - COPING

HOOK OUTSIDE FACE OF COPING OVER THE ANCHOR CLIPS AND ROTATE INTO PLACE. ENGAGE REAR LEG ONTO ANCHOR CLIPS BY PRESSING DOWNWARD UNTIL SNAP LOCK OCCURS.

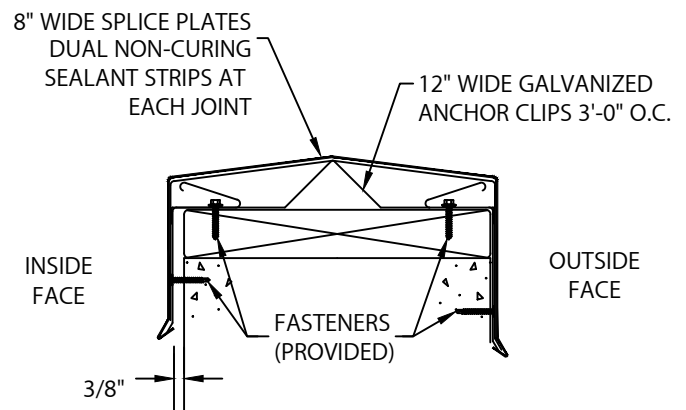


### STEP 10 - COMPLETION

CONTINUE INSTALLING COPING WITH A 3/8" SPACE AT SPLICE JOINTS TO ALLOW FOR THERMAL EXPANSION. FIELD CUT WHERE NECESSARY USING FINE TOOTH HACKSAW OR SNIPS.

NOTE: REMOVE PROTECTIVE FILM IMMEDIATELY.

### TYPICAL COPING INSTALLATION



Customer Service  
866-458-3537  
(Metal-Era)

DATE: 07/25/22  
DRN BY: MLM  
CKD BY: MM

SHT.# 2 OF 2  
DWG# 15111-39130

A