

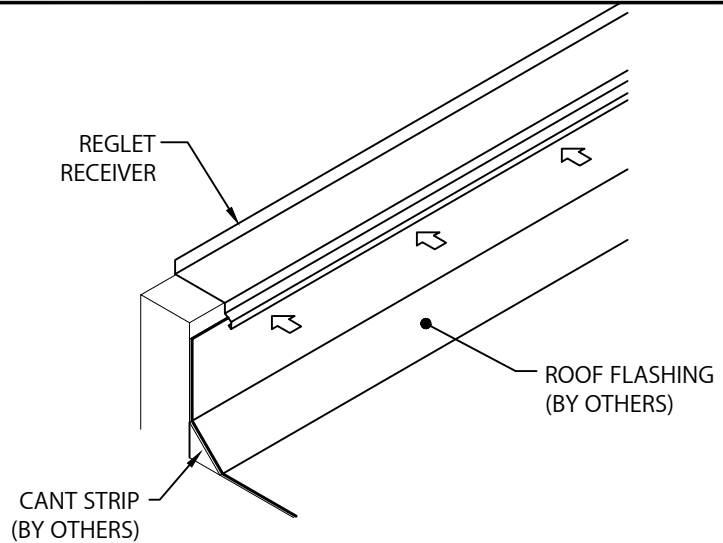
2 PC COUNTER FLASHING THRU WALL

THRU-WALL VERSION

INSTALLATION INSTRUCTIONS

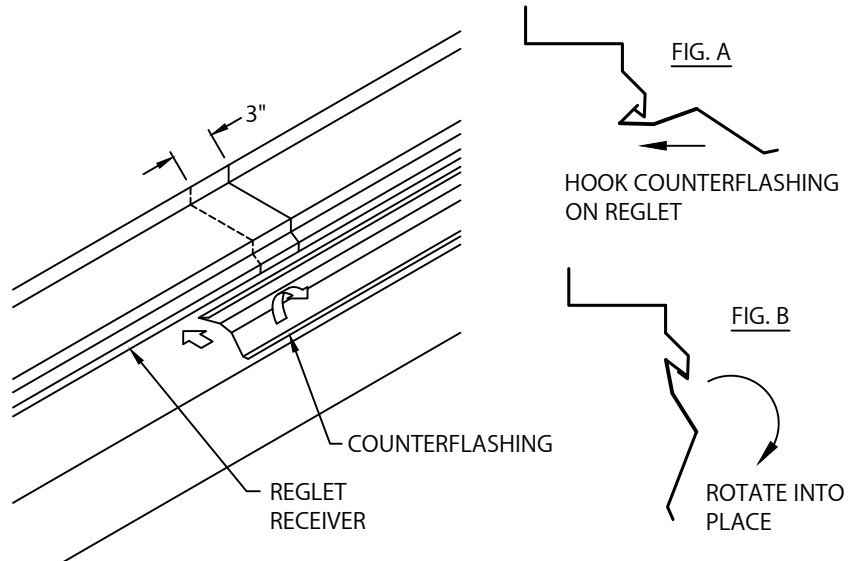
STEP 1 - REGLET RECEIVER

INSTALL REGLET RECEIVER ONTO WALL A MINIMUM OF 7" ABOVE THE HIGH POINT OF THE CANT STRIP (IF USED). INSTALL FROM RIGHT TO LEFT. LAP ENDS OF REGLET 3" AT FACTORY NOTCHED END.
NOTE: REMOVE PROTECTIVE FILM IMMEDIATELY.



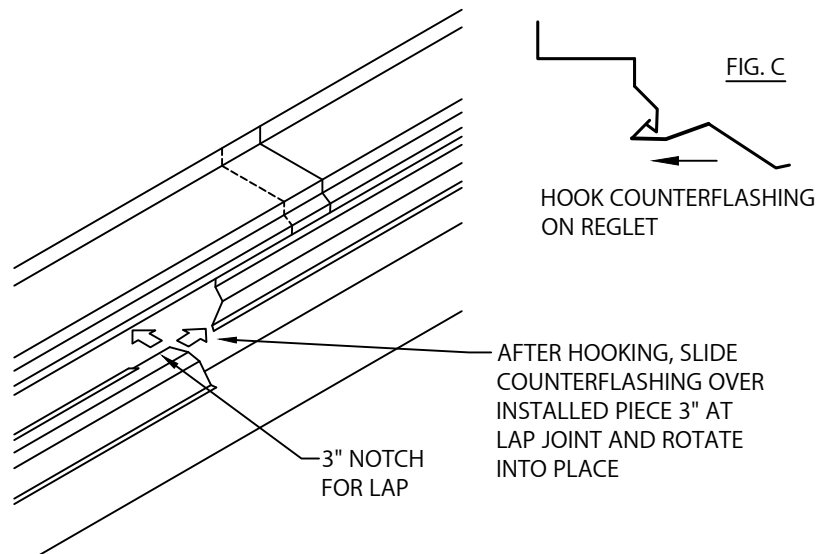
STEP 2 - COUNTERFLASHING

PRIOR TO INSTALLING COUNTERFLASHING, REMOVE PROTECTIVE FILM. HOOK COUNTERFLASHING ONTO RECEIVER AS SHOWN IN FIG. A. ROTATE DOWNWARD INTO PLACE (FIG. B). STAGGER REGLET RECEIVER AND COUNTERFLASHING JOINTS ACCORDINGLY.



STEP 3 - COUNTERFLASHING

REMOVE PROTECTIVE FILM. HOOK COUNTERFLASHING ONTO RECEIVER AS SHOWN IN FIG. C. SLIDE COUNTERFLASHING 3" AT LAP JOINT OVER PREVIOUSLY INSTALLED PIECE. ROTATE DOWNWARD INTO PLACE AS SHOWN IN STEP 2.



Customer Service
800-558-2162

DATE: 04/28/22
DRN BY: MLM
CKD BY: MM

SHT.# 1 OF 2

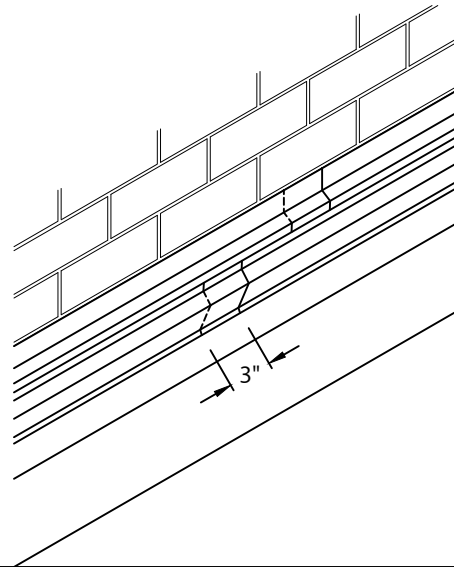
DWG# 18115-24540

C

2 PC COUNTER FLASHING THRU WALL

THRU-WALL VERSION

INSTALLATION INSTRUCTIONS



STEP 4 - COMPLETION
PLACE BRICK ATOP OF REGLET RECEIVER
TO COMPLETE INSTALLATION.

TYPICAL INSTALLATION

