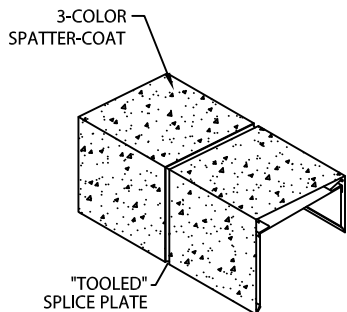
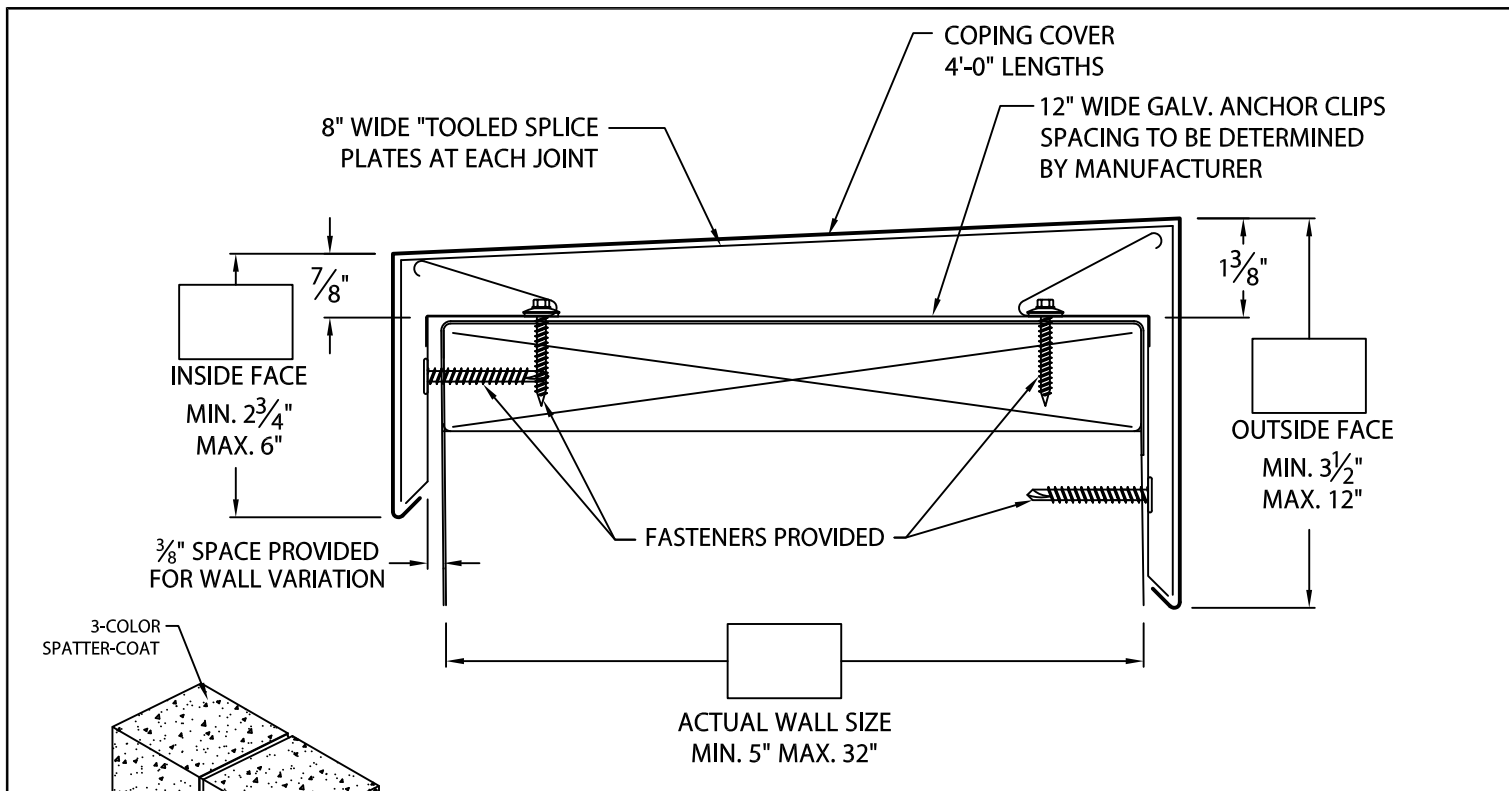


CREATIVE DESIGN STONE-LOOK COPING

TAPERED VERSION

ANSI/SPRI ES-1 TESTED



PLEASE SPECIFY SUBSTRATE:
(IF SUBSTRATE INFORMATION IS NOT GIVEN, WOOD SUBSTRATE FASTENERS WILL BE PROVIDED)

WOOD
 MASONRY
 METAL

- * "TOOLED" SPLICE PLATES ARE PROVIDED WITH FACTORY APPLIED NON-CURING SEALANT STRIPS.
- * MITERS AND ALL OTHER ACCESSORIES ARE WELDED.

MATERIAL:

___ .050" ALUMINUM
___ .063" ALUMINUM
___ OTHER _____

COLOR:

___ BROWN STONE SPATTER
___ CAST STONE SPATTER
___ LIME STONE SPATTER
___ SAND STONE SPATTER

Fabrication will proceed only after receipt of signed print approval.

Print Approval:

Architect and/or contractor shall verify all dimensions, sizes and quantities. All products to be installed in strict accordance with printed instructions.

Approved by: _____

Date: _____

QUANTITIES:

_____ LINEAL FEET 4'-0" LENGTHS
_____ OUTSIDE MITERS @ 90°
_____ INSIDE MITERS @ 90°
_____ RIGHT ENDCAPS
_____ LEFT ENDCAPS

FOR NON-90° MITERS SEE SEPARATE PRINT APPROVAL

PROJECT:	Hickman Edge Systems 4 Commerce Way Arden, NC 28704 Phone: 828-676-1700 www.hickmanedgesystems.com
ARCHITECT:	
ROOFING CONTRACTOR:	
REPRESENTATIVE/DISTRIBUTOR:	



DATE: 07/17/23	SHT.# _____ OF _____
DRN BY: MLM	DWG# 64011-36840
CKD BY: MM	