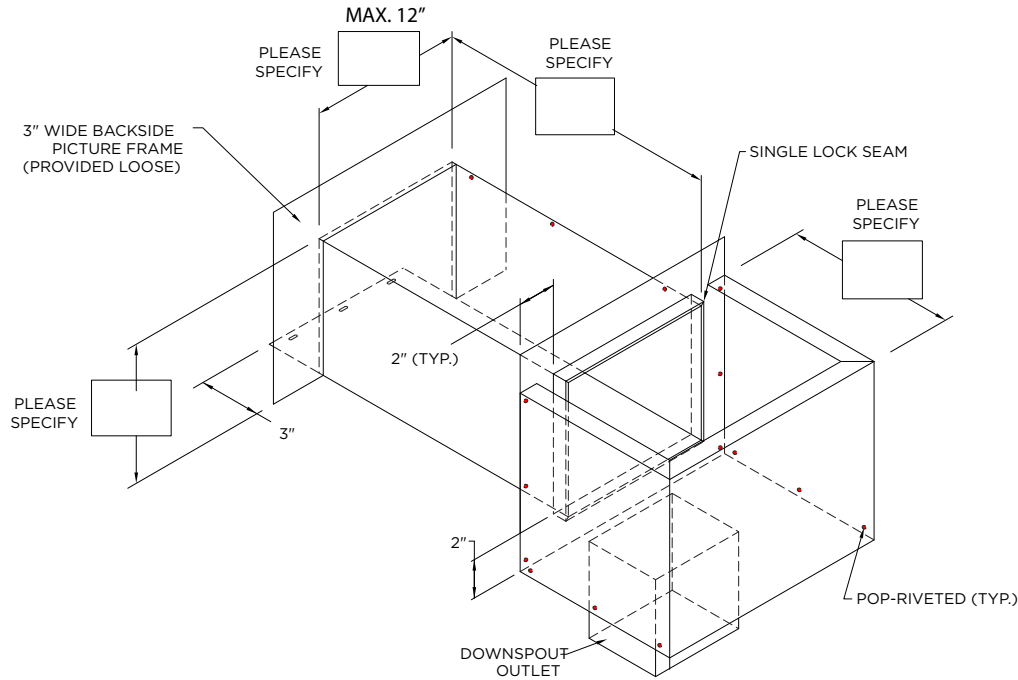


POP-RIVETED SCUPPER-1 WITH RAISED CONDUCTOR HEAD

NOTES

- Product should be installed per provided installation instructions



DIMENSIONS

PLEASE FILL OUT DIMENSIONS ON DRAWING

MATERIAL

- 24 Ga. Galv. Steel
- .040" Aluminum
- .050" Aluminum

Color: _____

Finish: _____

OTHER: _____

PROJECT INFO

Project Name: _____

Architect: _____

Roofing Contractor: _____

Project Type:

By selecting this box you have verified and confirmed that dimensions, sizes, and quantities are correct. All products will be installed in strict accordance with printed instructions.

QUANTITIES

_____ Amount Required

Downspout Size _____ x _____

SHT# 1 of 1

DATE: 03/17/22

DRN BY: JJC

CKD BY: MM

DWG #: 64018-36801

REV: B

Date: _____

Hickman Edge Systems

4 Commerce Way
Arden, NC 28704
Phone: 828-676-1700
www.hickmanedgesystems.com