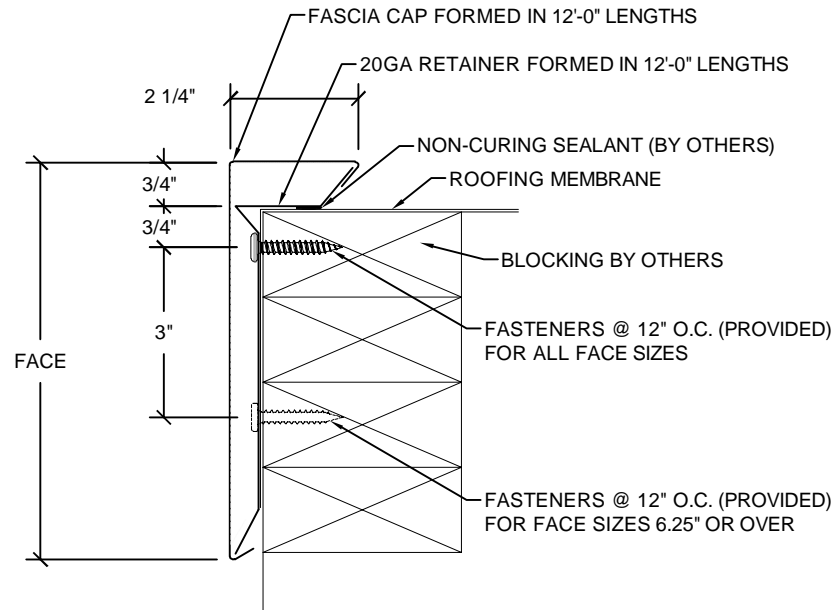


ANSI/SPRI/FM4435/ES-1 TEST PRESSURES UP TO 381 PSF (HORIZONTAL)



APPLICATIONS
SINGLE-PLY MEMBRANES

SIZES:
SEE DRAWING

NOTES:
1-REFER TO ROOF MEMBRANE MANUFACTURER FOR THEIR APPROVED INSTALLATION DETAIL.
2-TESTED IN ACCORDANCE WITH ANSI/SPRI/FM4435/ES-1.

ANSI/SPRI/FM4435/ES-1 TESTED



HICKMAN		Hickman Edge System 4 Commerce Way Asheboro, NC 28704 828-676-1700 www.hickmanedgesystems.c	
EDGE SYSTEMS		www.hickmanedgesystems.c	
NAME: TERMINEDGE FASCIA			
DRWN. BY: PL	DATE: 09/21/2021	SKU:	TE
APPD. BY: PL	DATE: 09/21/2021	SCALE: NOT TO SCALE	SHEET: 1 OF 1