

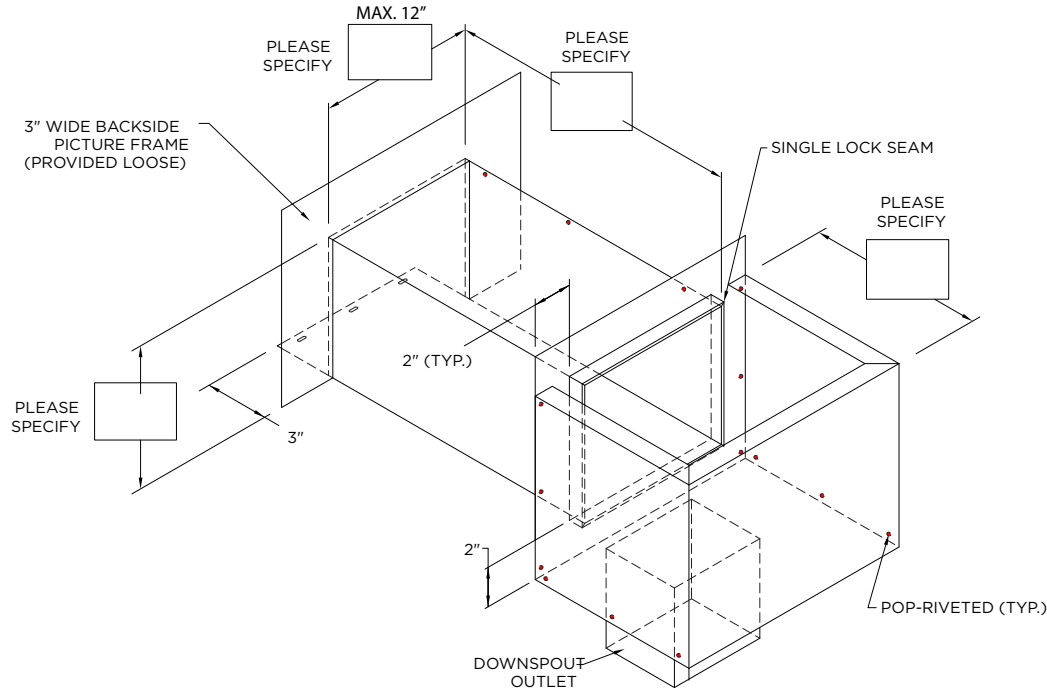


THRU-WALL SCUPPER

STYLE 1 POP-RIVETED RAISED COLLECTOR BOX

NOTES

- Product should be installed per provided installation instructions



DIMENSIONS

PLEASE FILL OUT DIMENSIONS ON DRAWING

MATERIAL

- 24 Ga. Galv. Steel
- .040" Aluminum
- .050" Aluminum

Color: _____

Finish: _____

OTHER: _____

QUANTITIES

_____ Amount Required

Downspout Size _____ x _____

PROJECT INFO

Project Name: _____

Architect: _____

Roofing Contractor: _____

Project Type:

By selecting this box you have verified and confirmed that dimensions, sizes, and quantities are correct. All products will be installed in strict accordance with printed instructions.

Date: _____

Versico
Customer Service
800-558-2162
(Metal-Era)

SHT# 1 of 1

DATE: 12/19/23

DRN BY: JJC

CKD BY: MM

DWG #: 18018-42056

REV: A