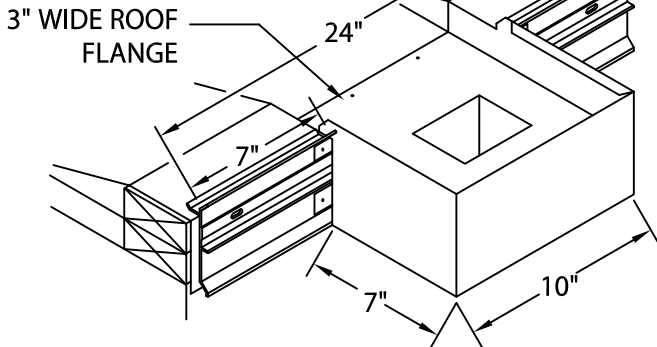


TERMINEDGE EX FASCIA SCUPPERS

FULLY ADHERED OR MECHANICALLY ATTACHED SINGLE-PLY VERSION

SCUPPERS - FACTORY WELDED CONSTRUCTION

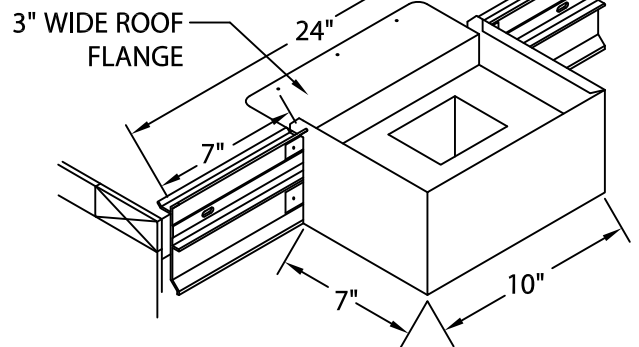
DOWNSPOUT SCUPPER TYPE DSA (TAPERED)



FOR USE WITH TAPERED EDGE STRIP.
FLANGE LOWERED 1-1/2\".

NOTE : SPECIFY TUBE SIZE

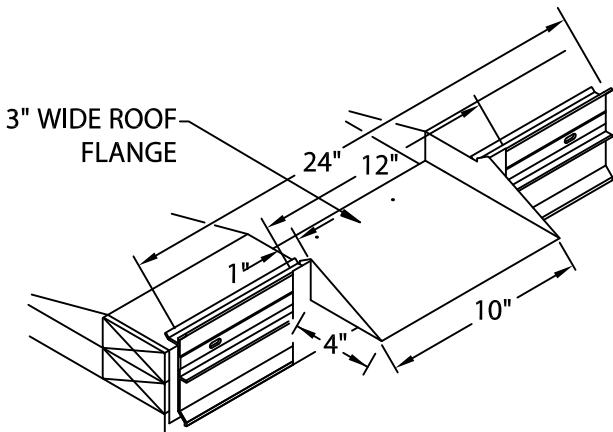
DOWNSPOUT SCUPPER TYPE DSB (FLAT)



FOR USE WITHOUT TAPERED EDGE STRIP.
FLANGE FLUSH MOUNTED WITH ROOF.

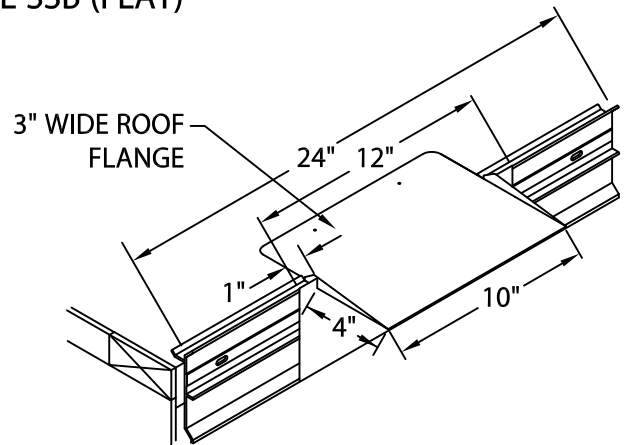
NOTE : SPECIFY TUBE SIZE

SPILLOUT SCUPPER TYPE SSA (TAPERED)



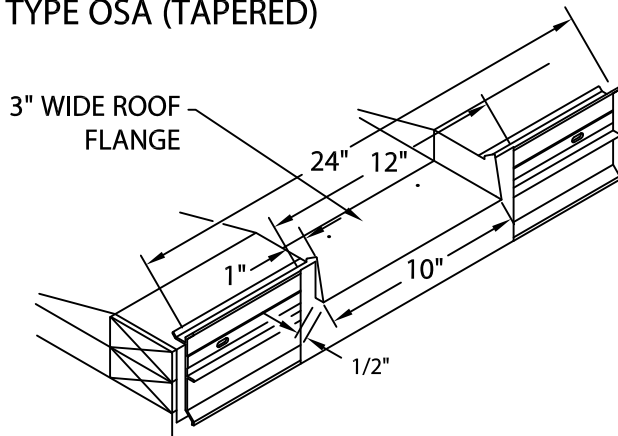
FOR USE WITH TAPERED EDGE STRIP.
FLANGE LOWERED 1-1/2\".

SPILLOUT SCUPPER TYPE SSB (FLAT)



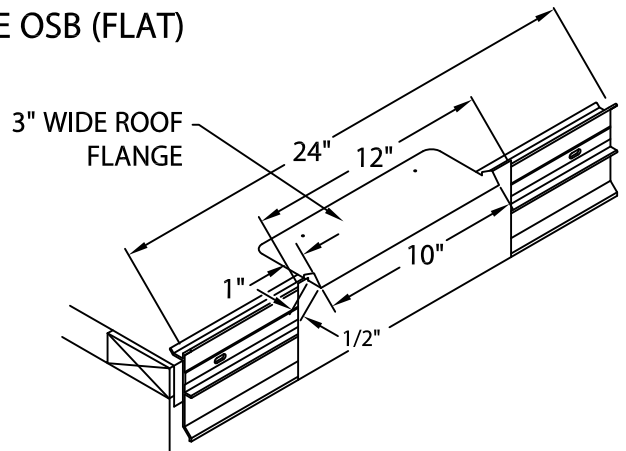
FOR USE WITHOUT TAPERED EDGE STRIP.
FLANGE FLUSH MOUNTED WITH ROOF.

OVERFLOW SCUPPER TYPE OSA (TAPERED)



FOR USE WITH TAPERED EDGE STRIP.
FLANGE LOWERED 1-1/2\".

OVERFLOW SCUPPER TYPE OSB (FLAT)



FOR USE WITHOUT TAPERED EDGE STRIP.
FLANGE FLUSH MOUNTED WITH ROOF.

HICKMAN
an MTL company

Hickman Edge Systems
4 Commerce Way
Arden, NC 28704
Phone: 828-676-1700
www.hickmanedgesystems.com

DATE: 12/09/22

DRN BY: MLM

CKD BY: MM

SHT.# ___ OF ___

DWG# 64510-40004

A