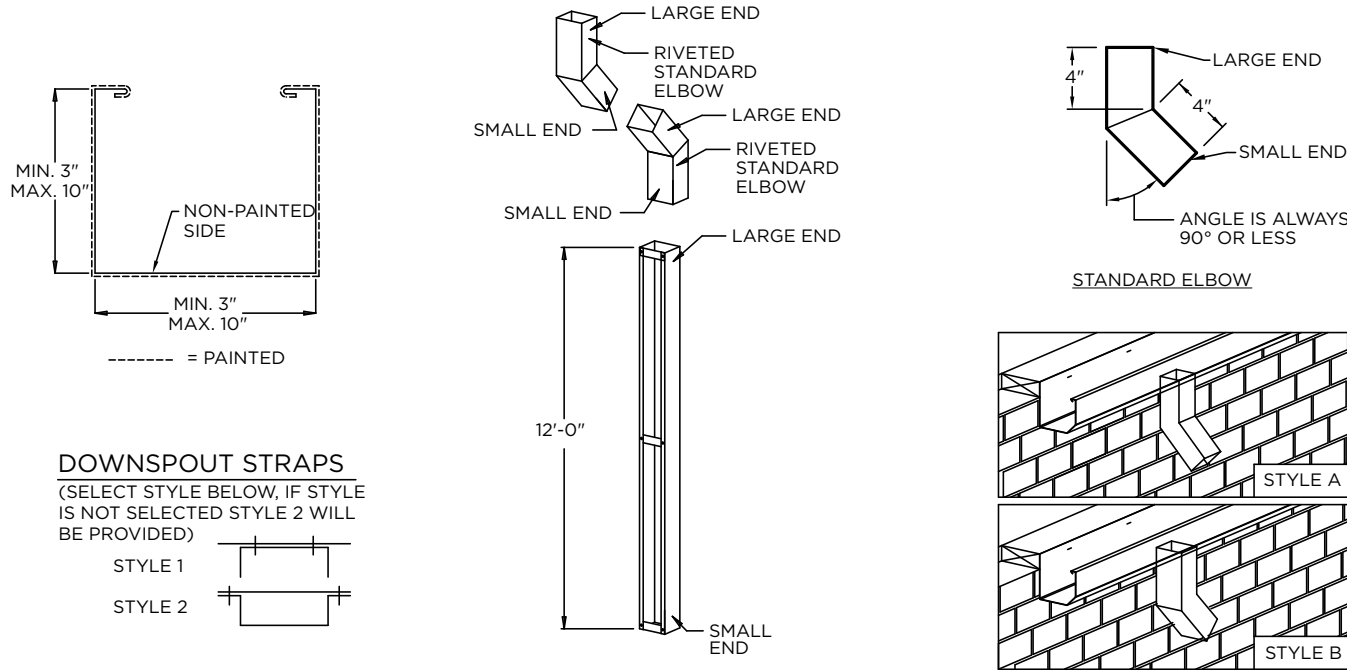


OPEN FACE DOWNSPOUT

NOTES

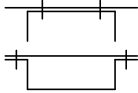
- Downspout should be 9/16" smaller than the bottom of the gutter
- Outlet should be 1/8" smaller than the size of the downspout
- Product should be installed per provided installation instructions



DOWNSPOUT STRAPS
(SELECT STYLE BELOW, IF STYLE IS NOT SELECTED STYLE 2 WILL BE PROVIDED)

STYLE 1

STYLE 2



DIMENSIONS

Downspout Size _____ x _____
"A" "B"

MATERIAL

- 24 Ga. Galv. Steel
- 22 Ga. Galv. Steel
- .040" Aluminum
- .050" Aluminum
- .063" Aluminum
- OTHER: _____

Color: _____

Finish: _____

PROJECT INFO

Project Name: _____

Architect: _____

Roofing Contractor: _____

Project Type:

By selecting this box you have verified and confirmed that dimensions, sizes, and quantities are correct. All products will be installed in strict accordance with printed instructions.

Date: _____

Hickman Edge Systems

4 Commerce Way
Arden, NC 28704
Phone: 828-676-1700
www.hickmanedgesystems.com

SHT# 1 of 1

DATE: 10/26/21

DRN BY: JJC

CKD BY: MM

DWG #: 64013-36661

REV: A

QUANTITIES

_____ Lineal Feet (12'-0" Lengths)

_____ Outlets

_____ Standard Elbows (____°) Style A Style B

_____ Standard Elbows (____°) Style A Style B

Downspout Straps Style 1 Style 2