

Installation Guide for
SecurEdge 300
Continuous Cleat Coping
&
SecurEdge 300
Continuous Cleat Coping Plus

PO BOX 70000, CARLISLE, PA 17013 USA

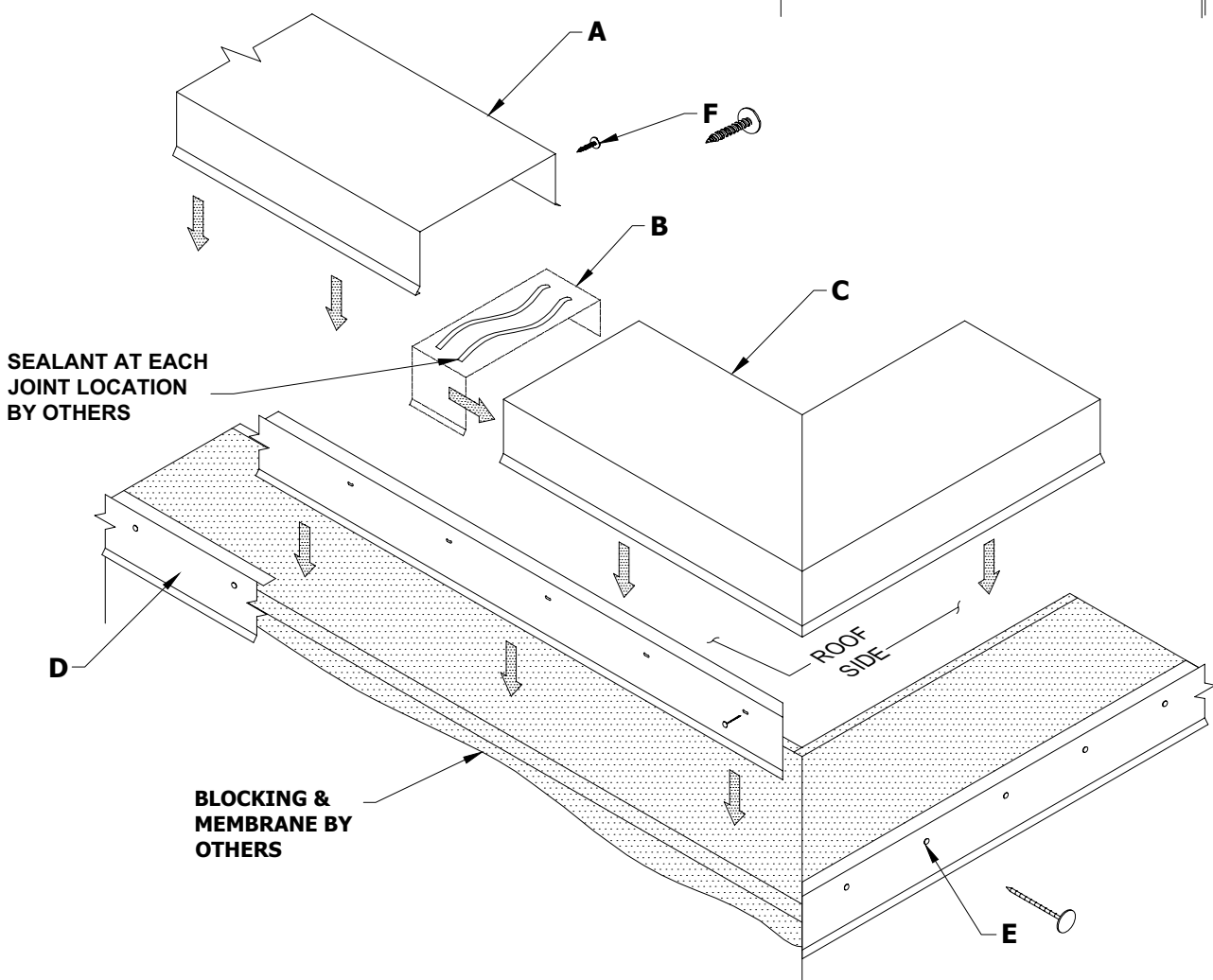
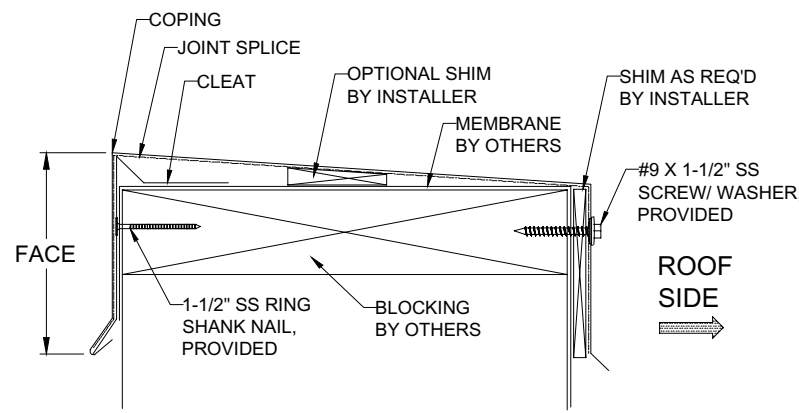
800-479-6832

WWW.CARLISLESYNTEC.COM

Installation Guide for SecurEdge 300 Continuous Cleat Coping and Plus

FM
Approved ANSI/SPRI/FM4435/ES-1 TESTED

NOTES:
 #1 - Isolate all metal parts from ACQ treated wood or other galvanically incompatible material with appropriate membrane material.
 #2 - Appliance attachments, such as lightning rods, signs, or antennae that penetrate the edge system, induce a galvanic reaction, or otherwise compromise the effectiveness of the roof edge system, shall be eliminated or isolated to prevent problems per ANSI/SPRI/FM4435/ES-1. Lightning protection systems for example must not be directly affixed to the product provided by Hickman. Consult Hickman for alternative attachment suggestions.

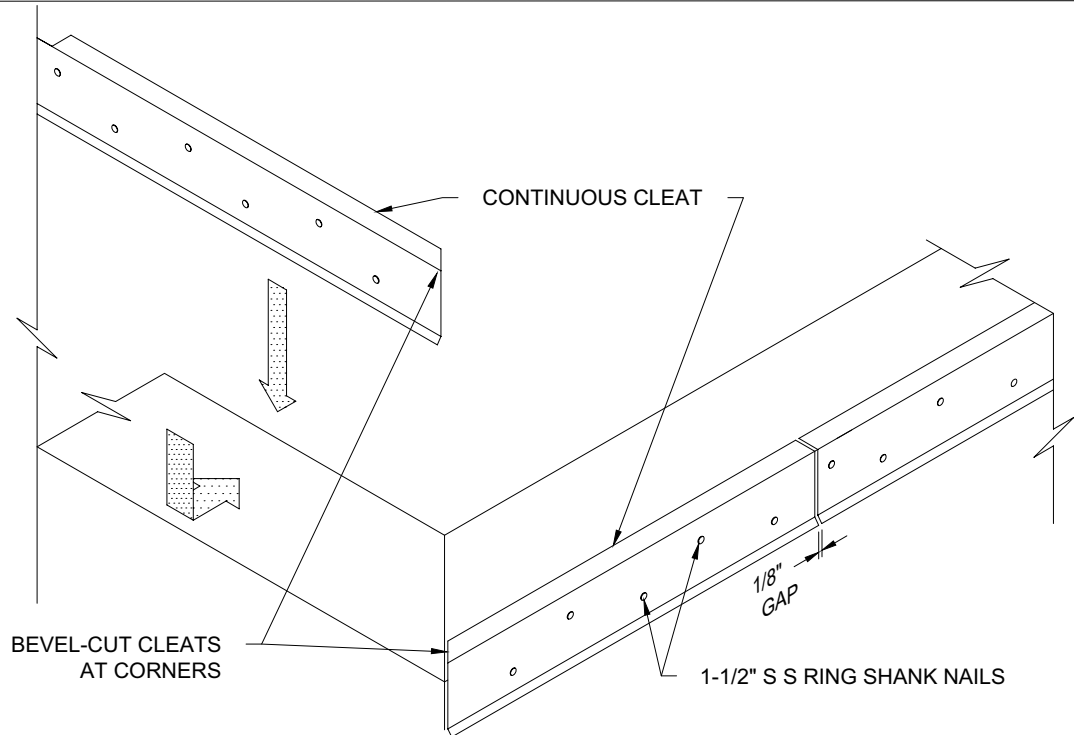


- A. Formed Copping Cap**
10'-0" Lengths
- B. Concealed Joint Splice**
6" Wide at Each Copping Cap Joint
- C. Copping Miter Cap**
(Outside Corner Shown)
- D. Galvanized Steel Cleat**
10'-0" Lengths
- E. 1-1/2" SS Ring Shank Nails**
at 12" o.c. (6" o.c. within 3'-0" of Corners)
(Included & Required)
- F. #9 X 1-1/2" SS Screw w/ Washer**
at 12" o.c.
(Included & Required)

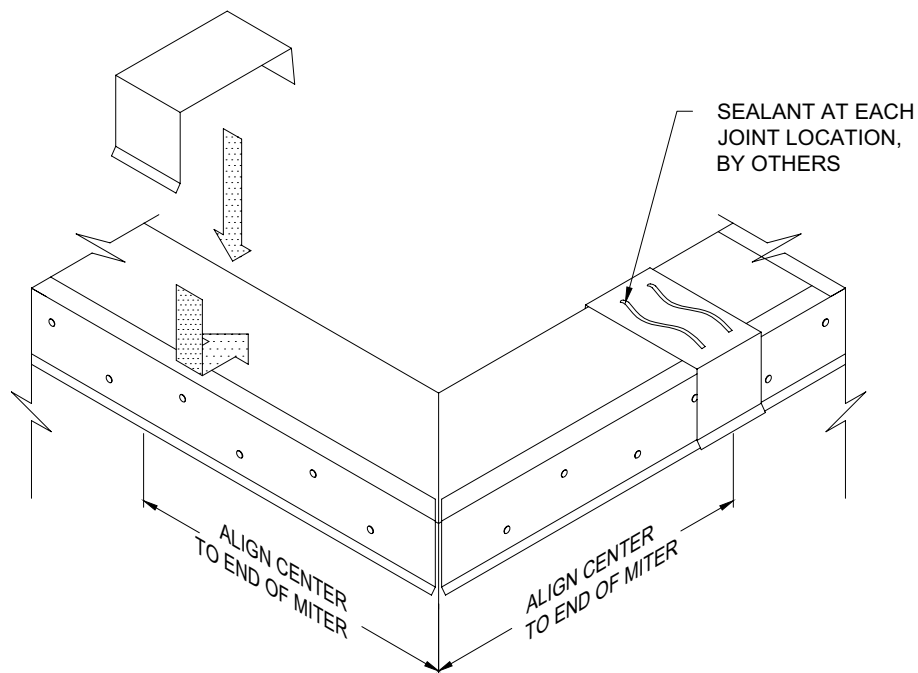
Reference Guide

1.	Standard Installation Steps	Page 4
1.1.	Coping Cleat	Page 4
1.2.	Coping Splice	Page 4
1.3.	Coping Miter	Page 5
1.4.	Coping End Condition	Page 5
1.5.	Coping Straight Section	Page 6
2.	Accessory Condition Guide	Page 7
2.1.	Inline Miter Conditions	Page 8
2.2.	Pier Miter Conditions	Page 9
2.3.	Tee Miter Conditions	Page 10
2.4.	Ridge Miter Conditions	Page 11
2.5.	Valley Miter Conditions	Page 11
2.6.	Horizontal Zee Miter Conditions	Page 12
2.7.	Vertical Zee Miter Conditions	Page 13
2.8.	Radius Conditions	Page 14

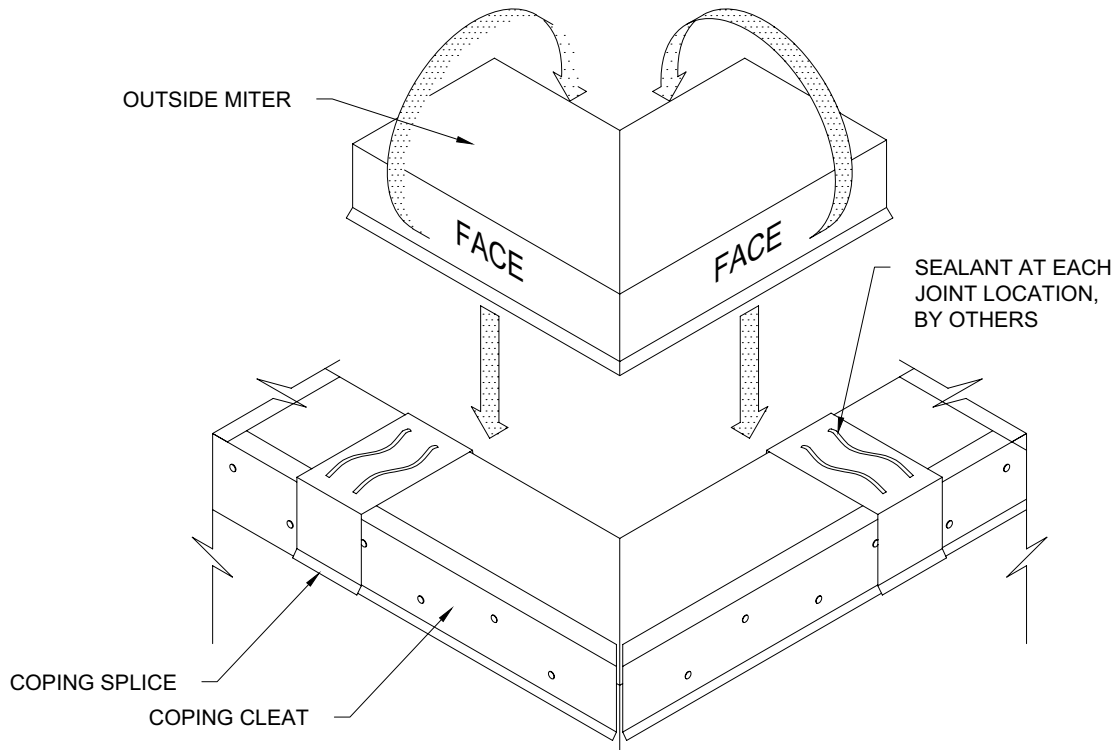
STEP 1: ENSURE ROOFING MEMBRANE HAS BEEN LAPPED OVER WALL AND SEALED. SECURE CONTINUOUS COPING CLEAT SECTIONS ALONG THE OUTSIDE FACE OF THE WALL USING STAINLESS STEEL RING SHANK NAILS. MAINTAIN A 1/8" GAP BETWEEN ADJACENT CLEAT PIECES.



STEP 2: LOCATE SPLICES AND ALIGN CENTER TO END OF MITER. SEAL ALL CAP-TO-SPLICE JUNCTIONS WITH NON-HARDENING SEALANT (BY INSTALLER).

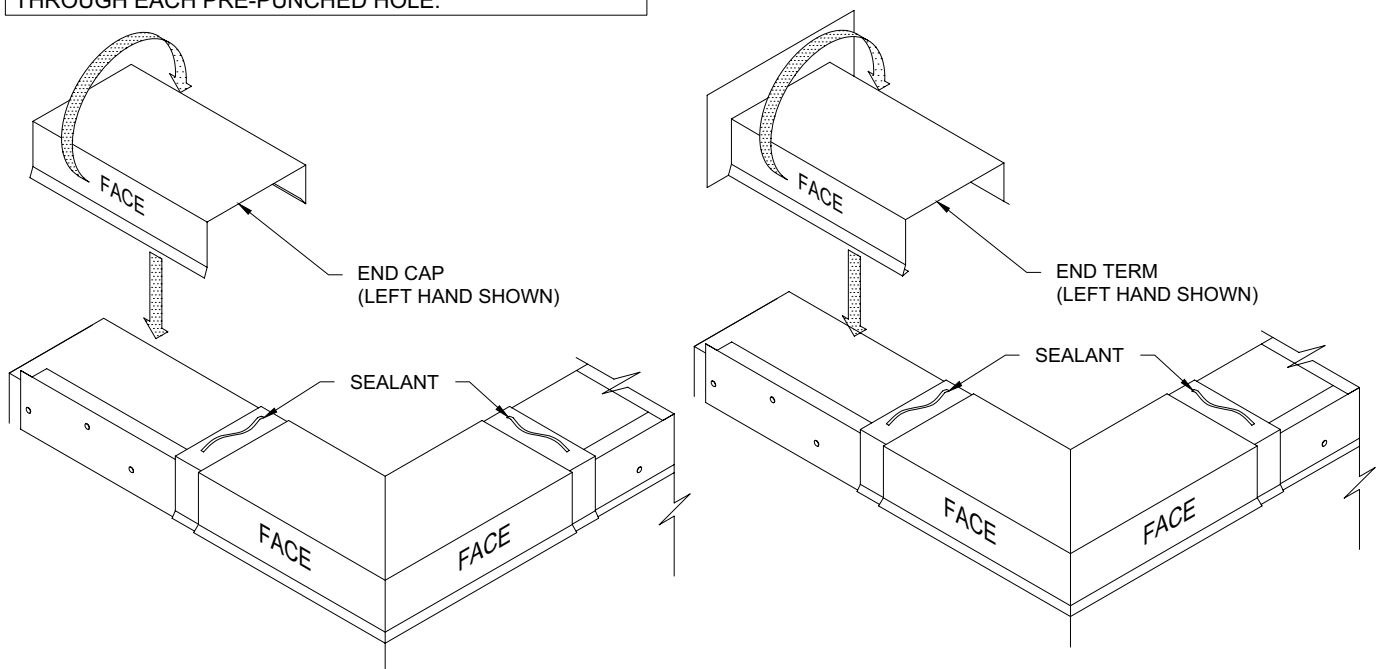


STEP 3: LOCATE MITER AND ENGAGE DRIPPED FACE OVER THE CLEAT, THEN ROTATE BACKWARDS TO REST MITER ON TOP OF WALL. SECURE BACK OF COPING MITER WITH #9 x 1-1/2" STAINLESS STEEL SCREWS THROUGH EACH PRE-PUNCHED HOLE. (INSIDE MITER IS INSTALLED IN THE SAME MANNER).

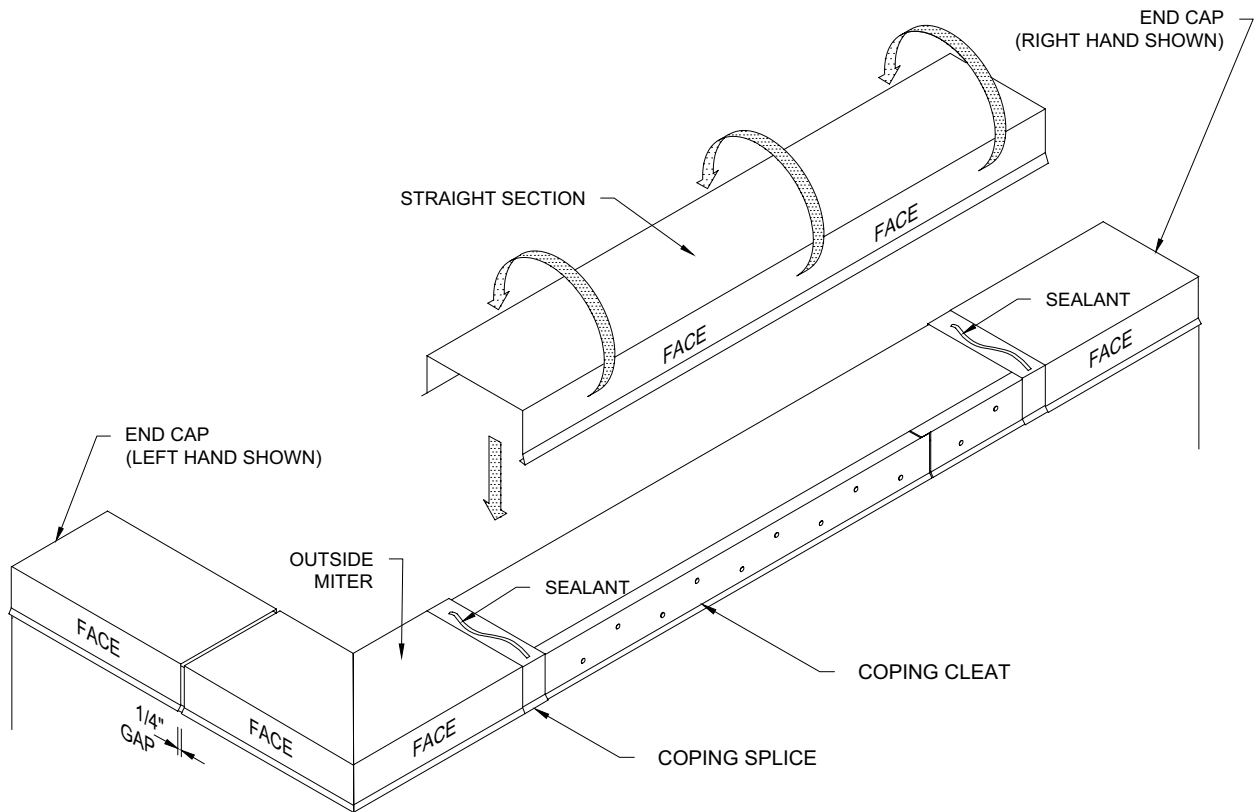


STEP 4: LOCATE END CAP/TERM AND ENGAGE DRIPPED FACE OVER THE CLEAT, THEN ROTATE BACKWARDS TO REST CAP ON TOP OF WALL. SECURE BACK OF END CAP/TERM WITH #9 x 1-1/2" STAINLESS STEEL SCREWS THROUGH EACH PRE-PUNCHED HOLE.

NOTE: ALL MITERS, END CONDITIONS, AND ACCESSORY CONDITIONS SHOULD BE INSTALLED PRIOR TO STRAIGHT SECTIONS



STEP 5: AFTER ALL CORNER AND END CONDITIONS ARE INSTALLED, INSTALL STRAIGHT SECTIONS. CUT DOWN AND ADJUST SPACING AS NEEDED. (DO NOT CUT CORNERS AND END CONDITIONS WHEN STRAIGHT SECTIONS ARE REQUIRED IN BETWEEN, USE STRAIGHT SECTIONS FOR ADJUSTMENTS. ENDCAPS AND MITERS MAY BE CUT WHEN NO STRAIGHT SECTION IS PRESENT.) FASTEN BACK LEG OF STRAIGHT SECTION TO WALL WITH #9 x 1-1/2" STAINLESS STEEL SCREWS.

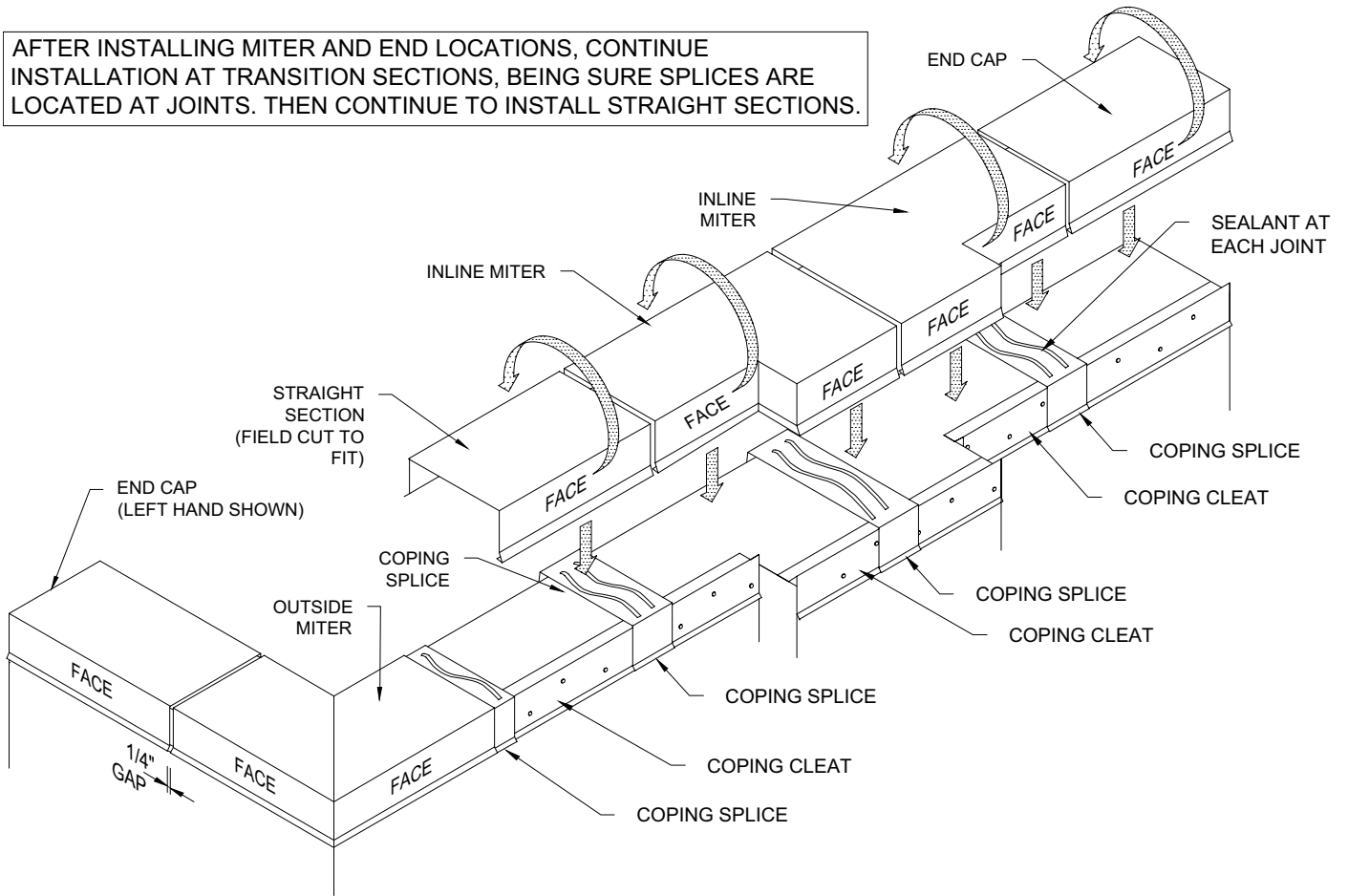


Formed Coping & Formed Coping Plus Accessory Conditions Reference

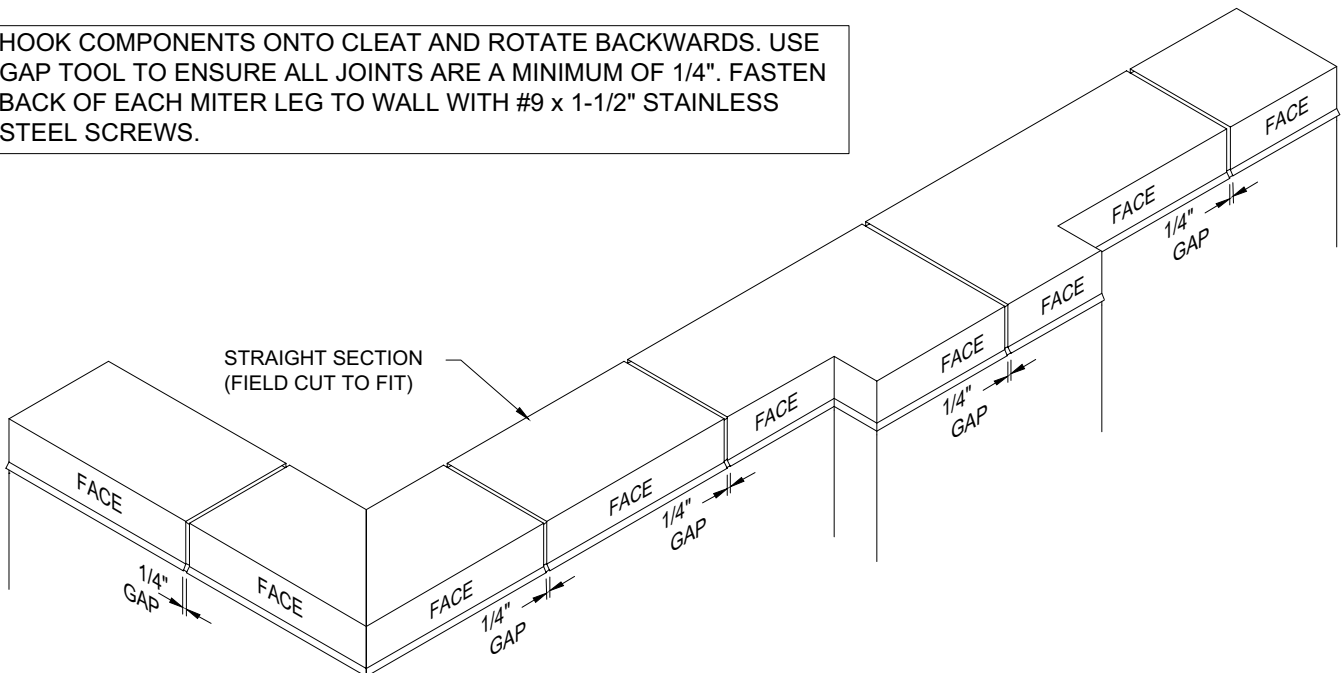
- Inline Miter Conditions (Page 8)
- Pier Miter Conditions (Page 9)
- Tee Miter Conditions (Page 10)
- Ridge/Valley/Sloped Conditions (Page 11)
- Horizontal Zee Miter Conditions (Page 12)
- Vertical Zee Miter Conditions (Page 13)
- Radius Conditions (Page 14)

INLINE MITER CONDITIONS

AFTER INSTALLING MITER AND END LOCATIONS, CONTINUE INSTALLATION AT TRANSITION SECTIONS, BEING SURE SPLICES ARE LOCATED AT JOINTS. THEN CONTINUE TO INSTALL STRAIGHT SECTIONS.



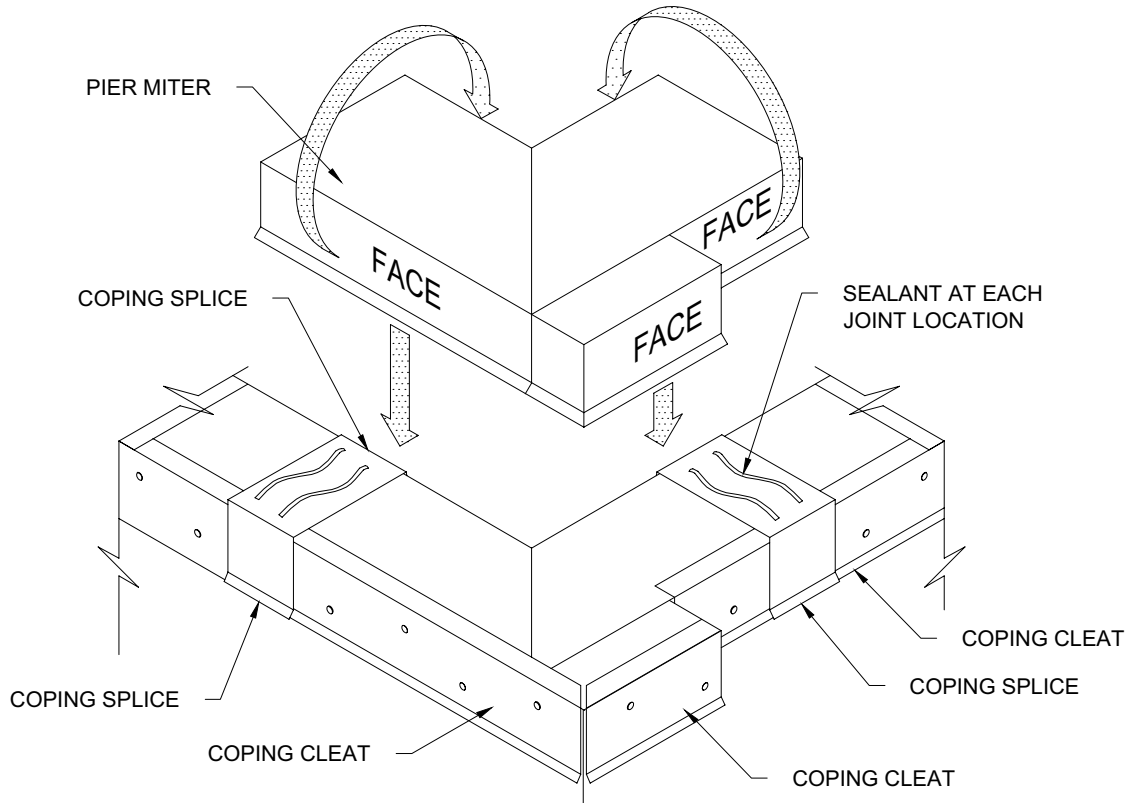
HOOK COMPONENTS ONTO CLEAT AND ROTATE BACKWARDS. USE GAP TOOL TO ENSURE ALL JOINTS ARE A MINIMUM OF 1/4". FASTEN BACK OF EACH MITER LEG TO WALL WITH #9 x 1-1/2" STAINLESS STEEL SCREWS.



PIER MITER CONDITIONS

9

LOCATE CENTER OF EACH SPLICE AT END OF EACH MITER LEG. HOOK ONTO FRONT OF COPING CLEAT, ROTATE OVER WALL AND ENGAGE FACE OF ADJACENT LEG AND PIER OVER CLEAT. FASTEN BACK OF EACH MITER LEG TO WALL WITH #9 x 1-1/2" STAINLESS STEEL SCREWS.

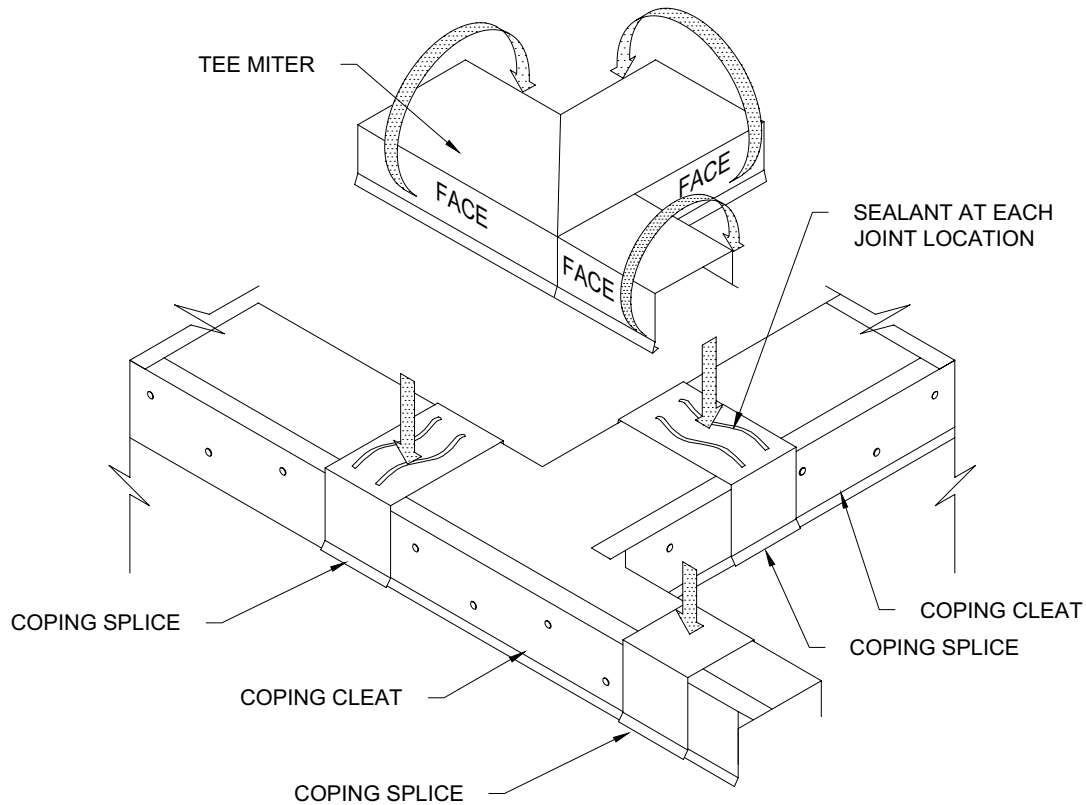


NOTE: ALL MITERS, END CONDITIONS, AND ACCESSORY CONDITIONS SHOULD BE INSTALLED PRIOR TO STRAIGHT SECTIONS

TEE MITER CONDITIONS

10

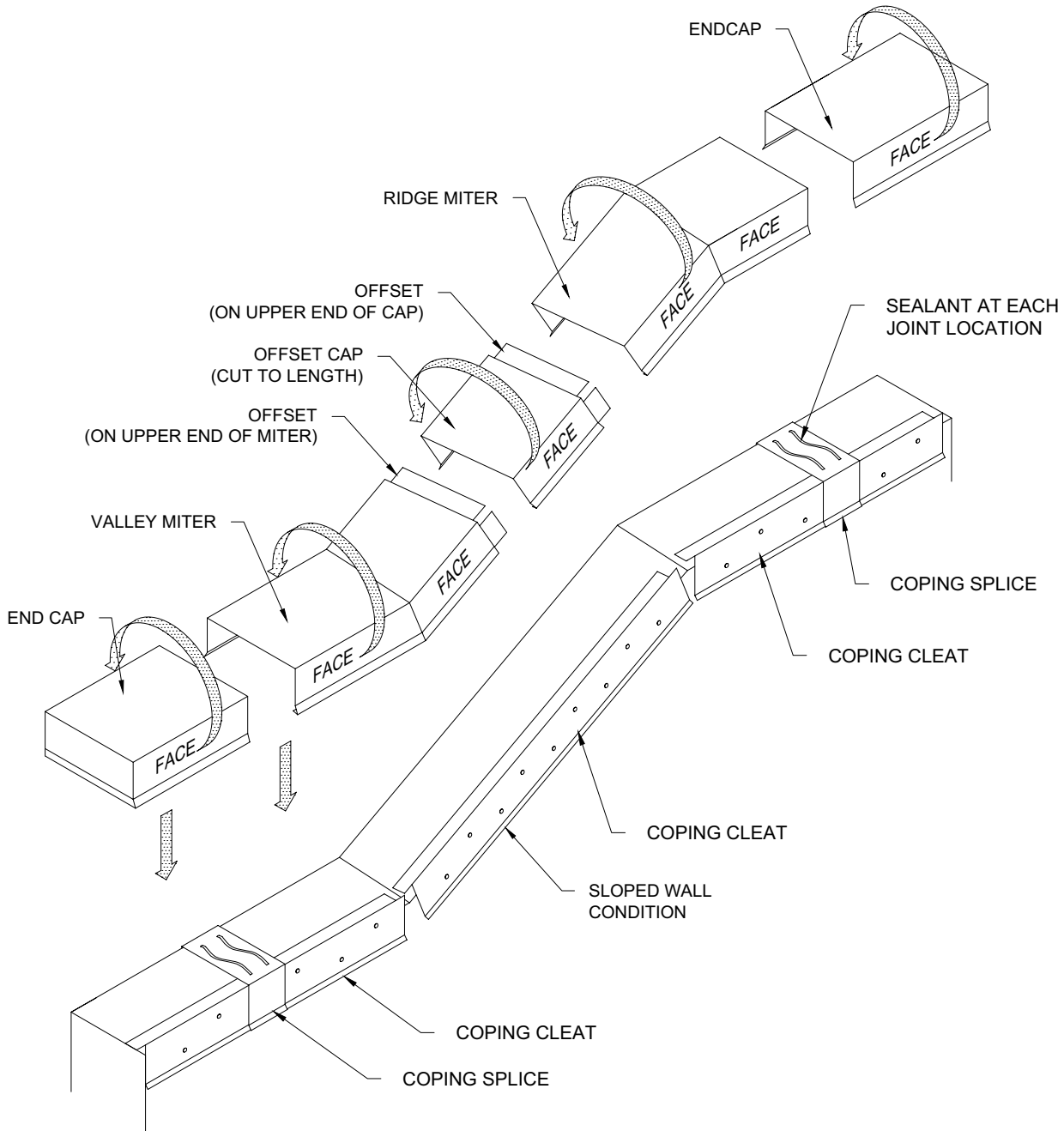
LOCATE CENTER OF EACH SPLICE AT END OF EACH MITER LEG. HOOK MITER FACE ONTO FRONT OF COPING CLEAT AT IN-LINE SECTION FIRST, ROTATE BACKWARD AND ENGAGE FACE OF ADJACENT LEG OVER CLEAT. FASTEN BACK LEG OF EACH MITER LEG TO WALL WITH #9 x 1-1/2" STAINLESS STEEL SCREWS.



NOTE: ALL MITERS, END CONDITIONS, AND ACCESSORY CONDITIONS SHOULD BE INSTALLED PRIOR TO STRAIGHT SECTIONS

RIDGE MITER, VALLEY MITER AND SLOPED WALL CONDITIONS

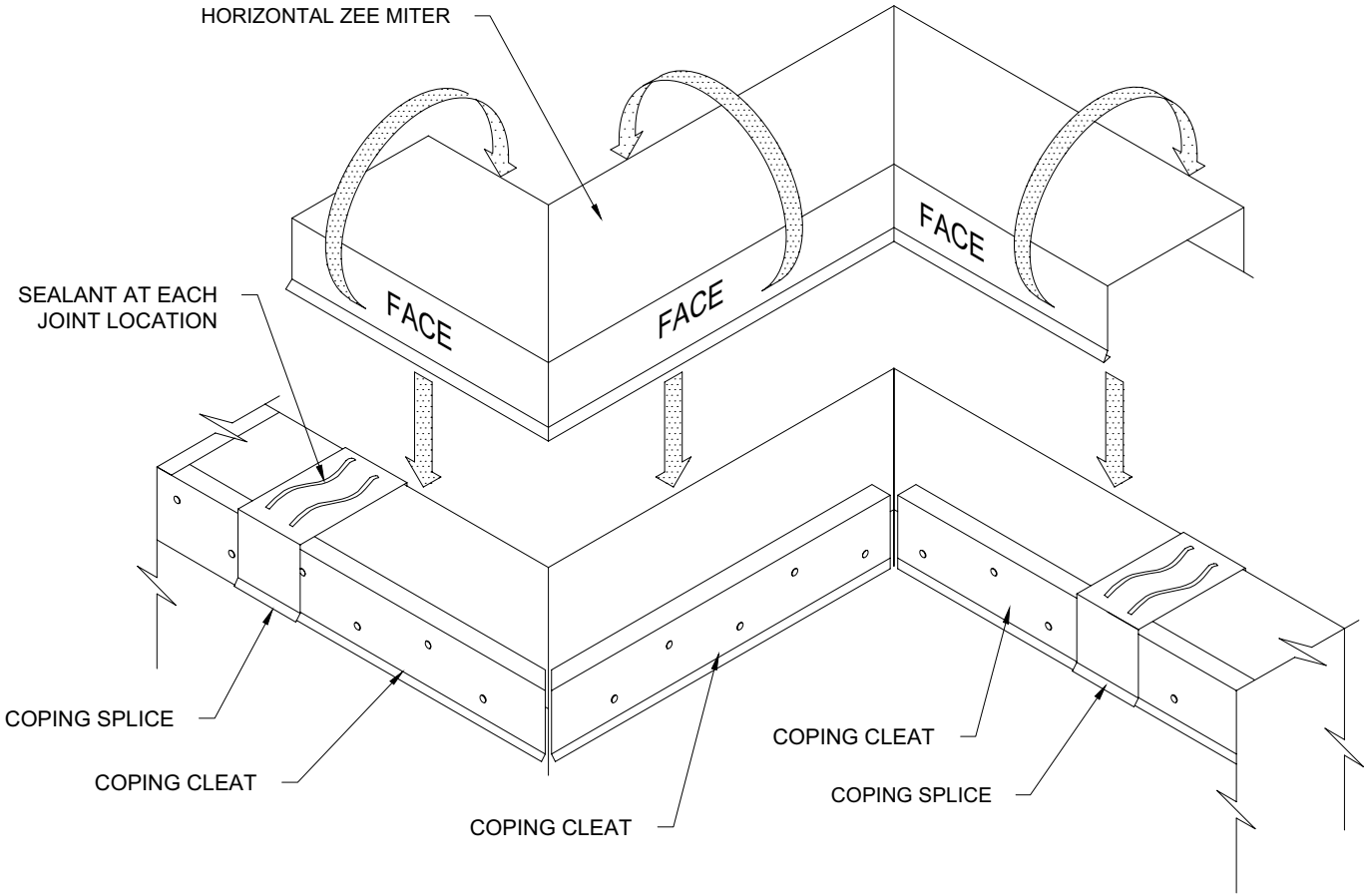
FOLLOW STEP 5 FOR INSTALLATION OF COPING CLEATS ALONG EACH WALL. START INSTALLATION AT CORNER OR END CONDITIONS (SHOWN BELOW). NO SPLICE IS REQUIRED FOR SLOPED WALLS WHERE AN OFFSET HAS BEEN FORMED INTO COPING/MITER CAP (AS SHOWN BELOW). LOCATE BUT DO NOT INSTALL RIDGE MITER. ADJUST OFFSET CAP LENGTHS (DO NOT CUT FROM OFFSET TAB SIDE) TO FIT IN BETWEEN RIDGE MITER AND END CONDITIONS ON SLOPED WALLS. INSTALL RIDGE MITER OVER OFFSET OF CAP PIECE.



NOTE: ALL MITERS, END CONDITIONS, AND ACCESSORY CONDITIONS SHOULD BE INSTALLED PRIOR TO STRAIGHT SECTIONS

HORIZONTAL ZEE MITER CONDITIONS

FOLLOW STEPS 5 (PAGE 5) FOR INSTALLATION OF COPING CLEATS ALONG EACH WALL. LOCATE CENTER OF EACH SPLICE AT END OF EACH MITER LEG. HOOK MITER FACE ONTO FRONT OF COPING CLEAT AND ROTATE BACKWARD OVER WALL. FASTEN BACK LEG OF EACH MITER LEG TO WALL WITH #9 x 1-1/2" STAINLESS STEEL SCREWS.

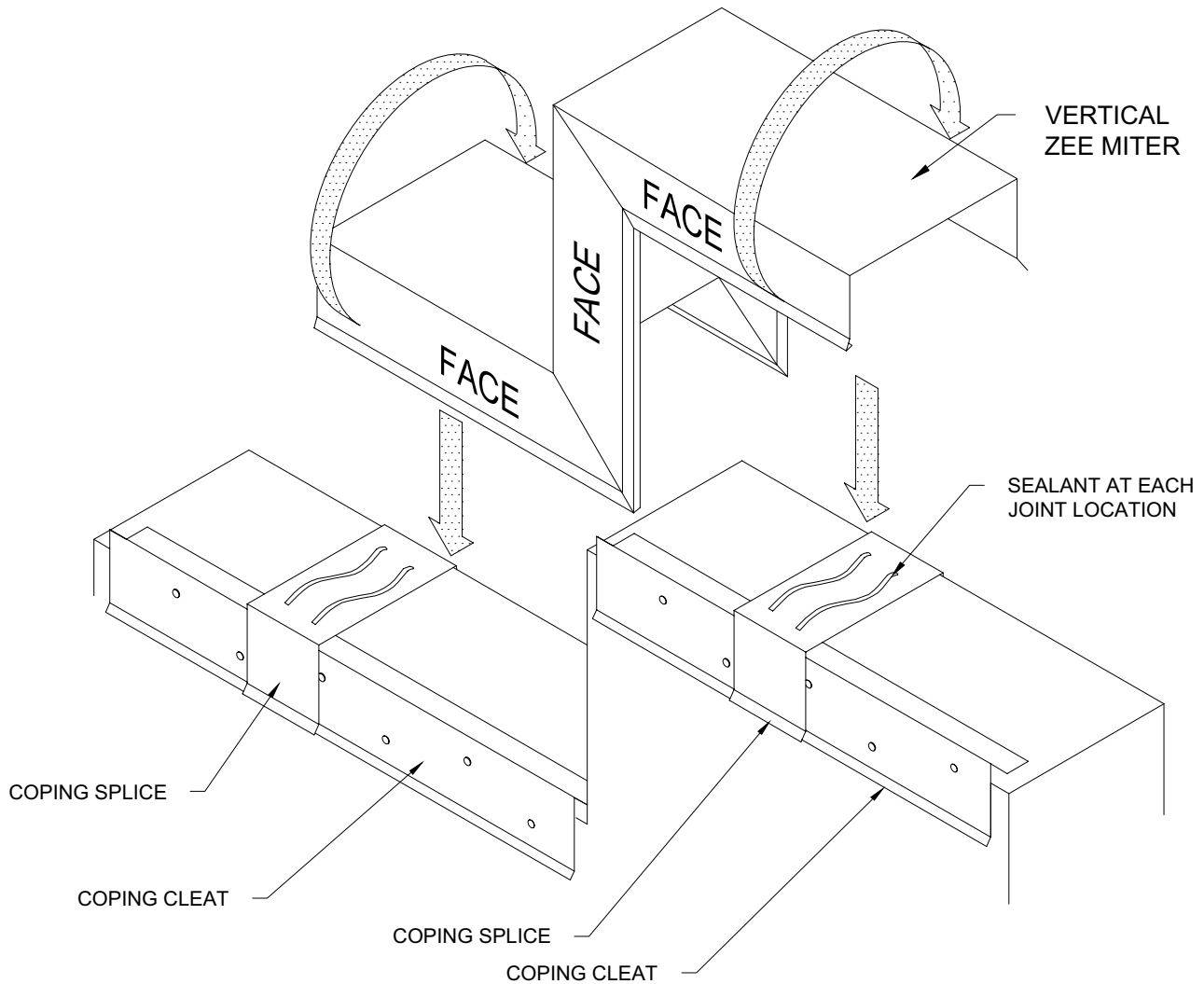


NOTE: ALL MITERS, END CONDITIONS, AND ACCESSORY CONDITIONS SHOULD BE INSTALLED PRIOR TO STRAIGHT SECTIONS

VERTICAL ZEE MITER CONDITIONS

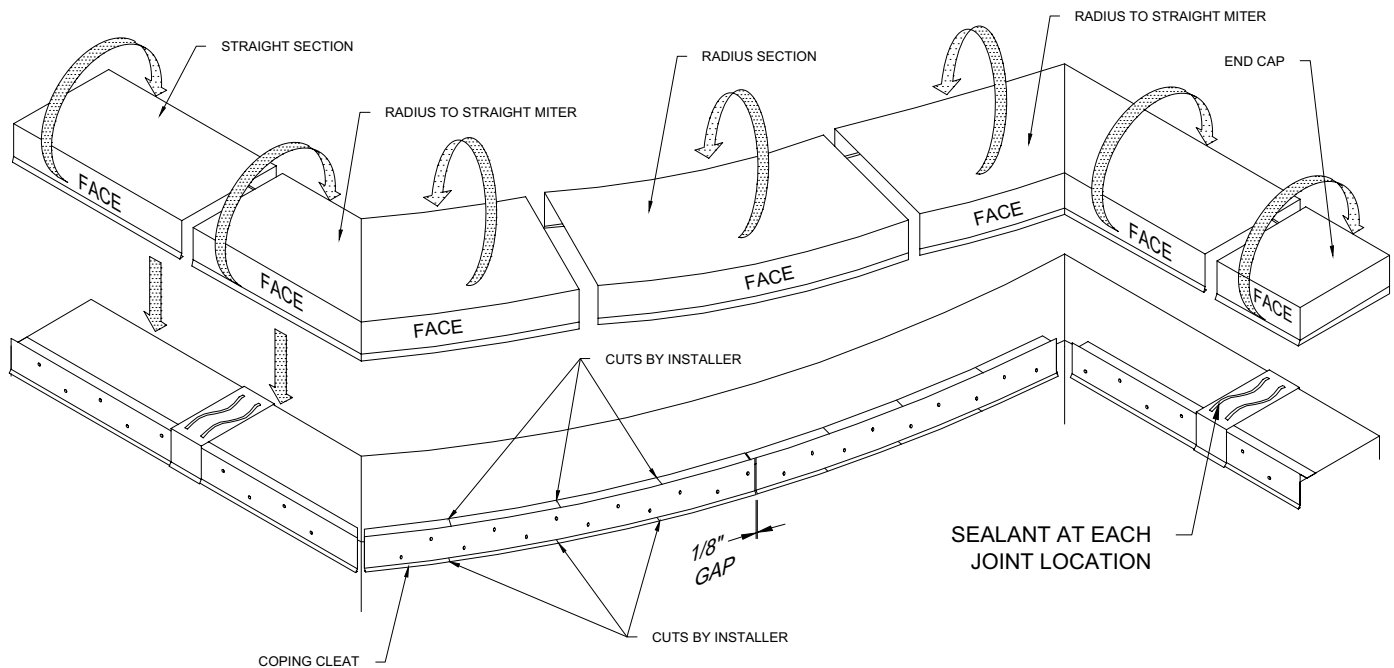
13

FOLLOW STEPS 5 (PAGE 5) FOR INSTALLATION OF COPING CLEATS ALONG EACH WALL. LOCATE CENTER OF EACH SPLICE AT END OF EACH MITER LEG. HOOK MITER FACE ONTO FRONT OF COPING CLEAT AND ROTATE BACKWARD OVER WALL. FASTEN BACK LEG OF EACH MITER LEG TO WALL WITH #9 x 1-1/2" STAINLESS STEEL SCREWS.



NOTE: ALL MITERS, END CONDITIONS, AND ACCESSORY CONDITIONS SHOULD BE INSTALLED PRIOR TO STRAIGHT SECTIONS

ENSURE THE ROOFING MEMBRANE HAS BEEN LAPPED OVER THE WALL AND SEALED. IN ORDER TO CONFORM TO THE RADIUS SECTION, MAKES CUTS IN THE ROOF FLANGE AND IN THE BOTTOM KICK OUT OF THE CLEAT AT INTERVALS THAT WILL ALLOW THE FACE OF THE CLEAT TO CONFORM TO THE RADIUS OF THE WALL (THE SMALLER THE RADIUS, THE MORE CUTS THAT WILL BE REQUIRED). SECURE CONTINUOUS COPING CLEAT SECTIONS ALONG THE OUTSIDE OF THE WALL USING STAINLESS STEEL RING SHANK NAILS. MAINTAIN A 1/8" GAP BETWEEN ADJACENT CLEAT PIECES. REFER TO STEP 2 THROUGH 6 TO INSTALL SPLICES, MITERS AND CAPS.



NOTE: ALL MITERS, END CONDITIONS, AND ACCESSORY CONDITIONS SHOULD BE INSTALLED PRIOR TO STRAIGHT SECTIONS

Please contact Hickman Edge Systems for assistance at 828-676-1700