



VERSITRIM 200 DRIP EDGE

WITH CONTINUOUS CLEAT

INSTALLATION INSTRUCTIONS

NOTE : INSTALL MITERS FIRST.

STEP ① INSTALL DRIP EDGE MITERS FIRST. INSERT ONE SPLICE PLATE UNDER EACH END OF MITER WITH WATER CUT-OFF MASTIC TO BE FIELD APPLIED TO TOP OF EACH SPLICE AS SHOWN. FASTEN WITH PROVIDED FASTENERS.

WATER CUT-OFF MASTIC

① MITER

STEP ② POSITION 12'-0" CONTINUOUS CLEAT SECTIONS UNDER SPLICE PLATE AND MITER THEN FASTEN 12" O.C. AS SHOWN WITH PROVIDED FASTENERS. LAP CONTINUOUS CLEAT 1" AT JOINTS.

STEP ③ INSERT ONE SPLICE PLATE UNDER LEFT END OF 12'-0" DRIP EDGE SECTION WITH MASTIC TO BE FIELD APPLIED TO TOP OF EACH SPLICE PLATE AS SHOWN.

STEP ④ INSTALL 12'-0" DRIP EDGE SECTIONS. HOOK DRIP EDGE OF EACH DRIP EDGE SECTION ONTO CONTINUOUS CLEAT, ROTATE INTO PLACE, AND FASTEN 6" O.C. WITH PROVIDED FASTENERS.

④ 12'-0" DRIP EDGE SECTIONS

② CONTINUOUS CLEAT

③ SPLICE PLATE

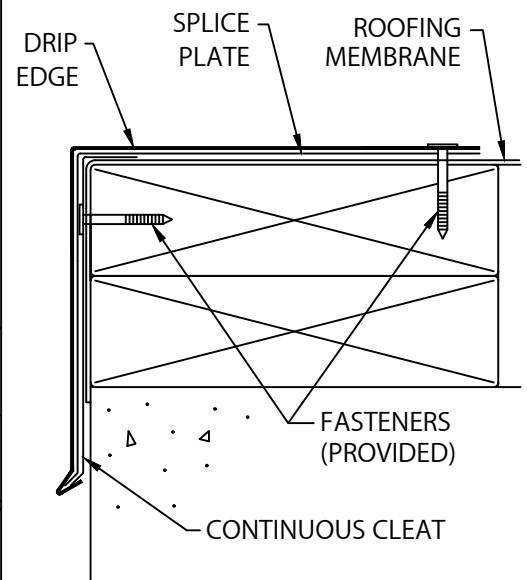
FASTEN DRIP EDGE AND CONTINUOUS CLEAT WITH PROVIDED FASTENERS

⑤ 3/8" SPACE AT EACH JOINT

STEP ⑤ CONTINUE BY INSTALLING DRIP EDGE SECTIONS ALLOWING A 3/8" SPACE BETWEEN SECTIONS AS SHOWN. FIELD CUT AS NECESSARY.

CAUTION : REMOVE PROTECTIVE FILM IMMEDIATELY AFTER INSTALLATION. INSTALLERS SHALL WEAR PROTECTIVE EYEWEAR TO PREVENT INJURY.

TYPICAL INSTALLATION



Customer Service
800-558-2162

DATE: 04/06/22
DRN BY: MLM
CKD BY: MM

SHT.# ___ OF ___

DWG# 18110-2021

D