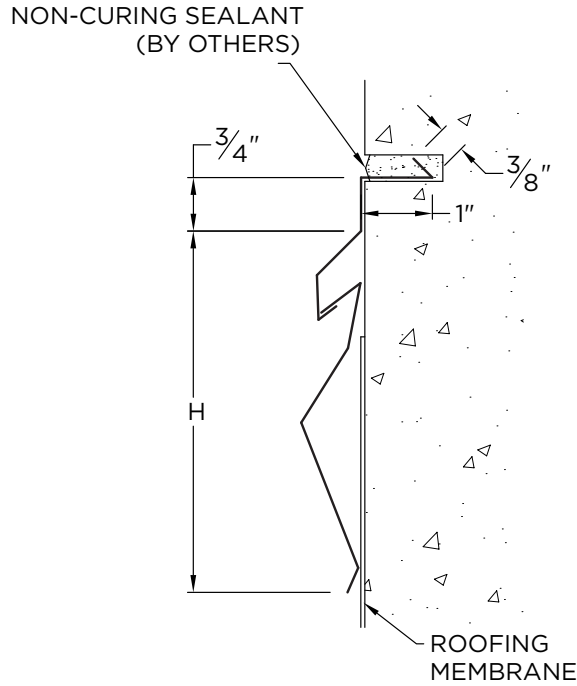


IN-WALL DRIVE-LOCK REGLET

2-PIECES

NOTES

- Pre-Notched Lap Joints
- No Fasteners Provided



PROJECT INFO

Project Name: _____

Architect: _____

Roofing Contractor: _____

Project Type:

By selecting this box you have verified and confirmed that dimensions, sizes, and quantities are correct. All products will be installed in strict accordance with printed instructions.

Date: _____

Hickman Edge Systems
4 Commerce Way
Arden, NC 28704
Phone: 828-676-1700
www.hickmanedgesystems.com

SHT# 1 of 1

DATE: 02/01/ 22

DRN BY: JJC

CKD BY: MM

DWG #: 64015-37157

REV: A

DIMENSIONS

Face Height (H DIM)

3.5" (CFR2-350R)

4" (CFR2-400R)

5" 5" (CFR2-500R)

MATERIAL

24 Ga. Galv. Steel

22 Ga. Galv. Steel

.040" Aluminum

.050" Aluminum

OTHER: _____

Color: _____

Finish: _____

QUANTITIES

_____ Lineal Feet (12'-0" Lengths)