

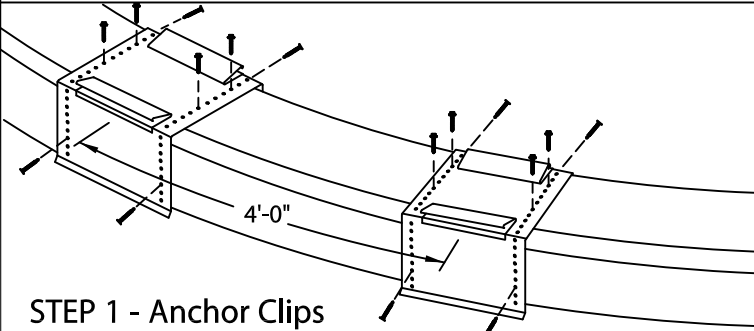


# PERMASNAP PREMIER RADIUS COPING

FLAT OR TAPERED VERSION - 4'-0" O.C.

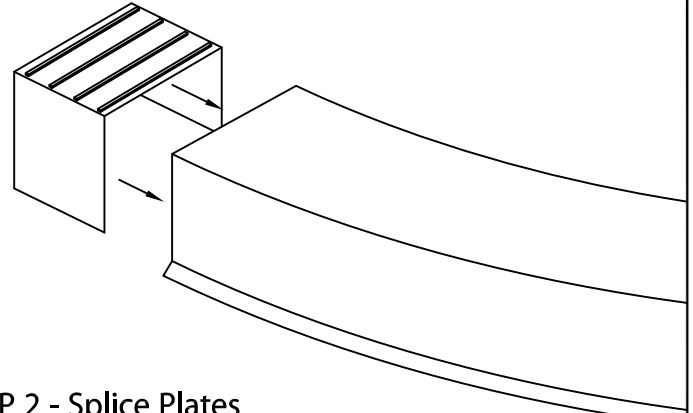
## INSTALLATION INSTRUCTIONS

NOTE: Position roof membrane on top of the wall covering the treated wood nailer(s) or substrate completely. Allow 1/2" minimum excess membrane beyond nailer where applicable. NRCA Requirement.



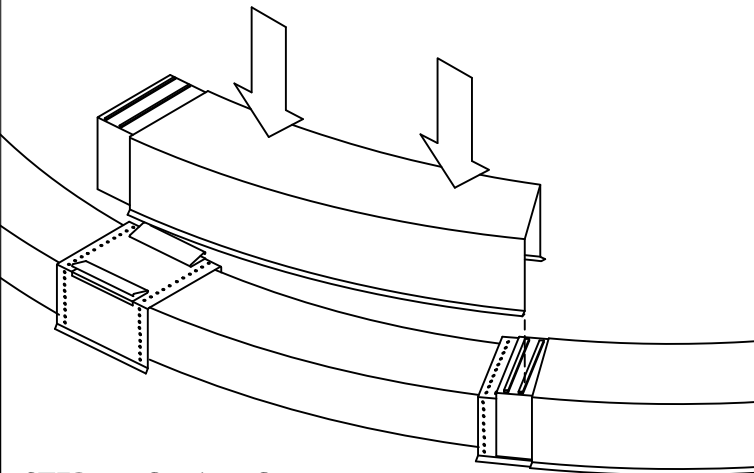
### STEP 1 - Anchor Clips

Locate and fasten anchor clips at 4'-0" O.C. with provided fasteners for substrate using the third full hole from bend (see detail A).



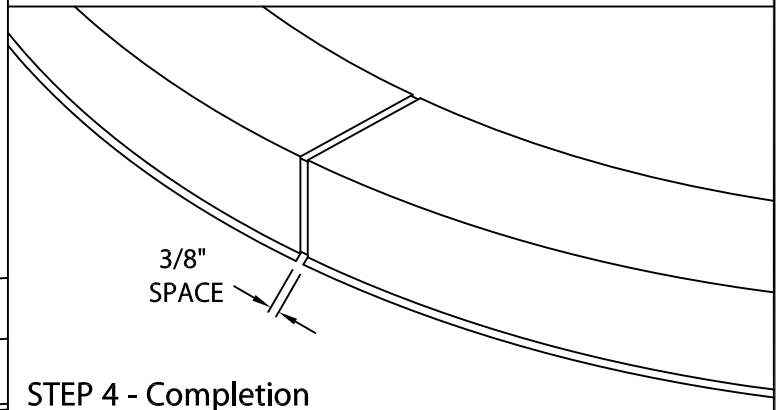
### STEP 2 - Splice Plates

Remove release paper from left two sealant strips. Insert splice plate into the right end of radius section.



### STEP 3 - Coping Cover

Remove release paper from right two factory applied sealant strips on the splice plate in the coping section. Install 4'-0" radius coping sections from left to right. Place coping into position and press downward until snap-lock occurs.



### STEP 4 - Completion

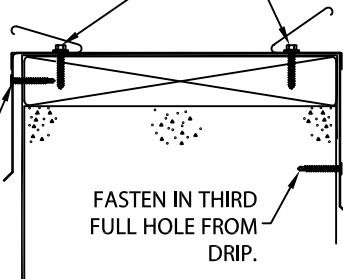
Continue installing coping with a 3/8" space at splice joints to allow for thermal expansion. Field cut where necessary using a fine tooth hacksaw or snips.

NOTE: REMOVE PROTECTIVE FILM IMMEDIATELY.

### ANCHOR CLIP FASTENING-DETAIL A

LOCATE FASTENERS IN THIRD FULL HOLE FROM BEND

INSIDE FACE  
FASTEN IN THIRD FULL HOLE FROM DRIP DO NOT OVER TIGHTEN MAINTAIN NEEDED 3/8" GAP



OUTSIDE FACE

FASTEN IN THIRD FULL HOLE FROM DRIP.

### TYPICAL COPING INSTALLATION

