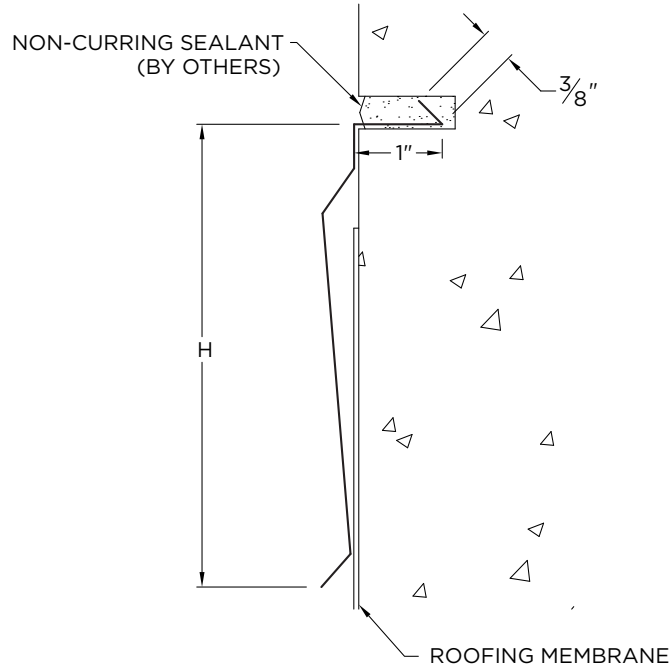


IN-WALL SURFACE MOUNT REGLET
1-PIECE

NOTES

- Pre-Notched Lap Joints
- No Fasteners Provided



PROJECT INFO

Project Name: _____

Architect: _____

Roofing Contractor: _____

Project Type:

By selecting this box you have verified and confirmed that dimensions, sizes, and quantities are correct. All products will be installed in strict accordance with printed instructions.

Date: _____

Hickman Edge Systems
4 Commerce Way
Arden, NC 28704
Phone: 828-676-1700
www.hickmanedgesystems.com

SHT# 1 of 1
DATE: 01/22/ 22
DRN BY: JJC
CKD BY: MM
DWG #: 64015-37156
REV: A

DIMENSIONS

Face Height (H)
3.75" (CFR-375)
5.25" (CFR-525)

MATERIAL

- 24 Ga. Galv. Steel
- 22 Ga. Galv. Steel
- .040" Aluminum
- .050" Aluminum
- .063" Aluminum
- OTHER: _____

Color: _____
Finish: _____

QUANTITIES

_____ Lineal Feet (12'-0" Lengths)