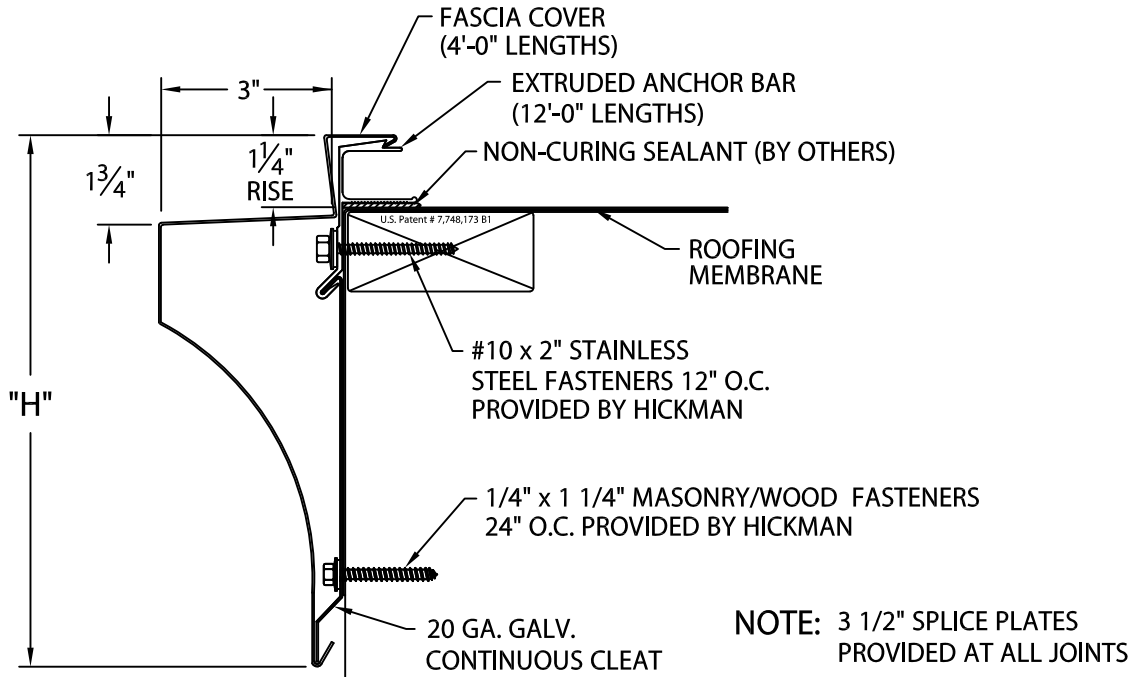


# CREATIVE DESIGN CORNICE FASCIA

FULLY ADHERED OR MECHANICALLY ATTACHED SINGLE-PLY VERSION



PRODUCTS SHOULD BE INSTALLED PER PROVIDED INSTALLATION INSTRUCTIONS

## DESIGNER CORNICE FASCIA DIMENSIONS

PRODUCT ID. NO.	H DIM
<input type="checkbox"/> AEF-CS85	8 1/2"
<input type="checkbox"/> AEF-CS100	10"
<input type="checkbox"/> AEF-CS115	11 1/2"
<input type="checkbox"/> AEF-CS130	13"

## MATERIAL:

\_\_\_ .050" ALUMINUM  
 \_\_\_ .063" ALUMINUM  
 \_\_\_ OTHER \_\_\_\_\_

COLOR: \_\_\_\_\_

FINISH: \_\_\_\_\_

Fabrication will proceed only after receipt of signed print approval.

## Print Approval:

Architect and/or contractor shall verify all dimensions, sizes and quantities. All products to be installed in strict accordance with printed instructions.

Approved by: \_\_\_\_\_

Date: \_\_\_\_\_

## QUANTITIES:

\_\_\_\_\_ LINEAL FEET \*12'-0" LENGTHS  
 \*COVER SUPPLIED IN 4'-0" LENGTHS  
 \_\_\_\_\_ OUTSIDE MITERS @ 90°  
 \_\_\_\_\_ INSIDE MITERS @ 90°  
 \_\_\_\_\_ RIGHT ENDCAPS  
 \_\_\_\_\_ LEFT ENDCAPS

FOR NON-90° MITERS SEE SEPARATE PRINT APPROVAL

PROJECT:

ARCHITECT:

ROOFING CONTRACTOR:

REPRESENTATIVE/DISTRIBUTOR:

**Hickman Edge Systems**

**4 Commerce Way**

**Arden, NC 28704**

**Phone: 828-676-1700**

**www.hickmanedgesystems.com**

**HICKMAN**  
 an MTL company

DATE: 08/11/22

DRN BY: MLM

CKD BY: MM

SHT.# \_\_\_\_\_ OF \_\_\_\_\_

DWG# 64010-36756

**A**