



PERMASNAP CONTINUOUS CLEAT WELDED RADIUS COPING

TAPERED VERSION

TO BE USED WITH CONTINUOUS CLEAT COPING

IMPORTANT!!! MUST INDICATE PROPER RADIUS CONDITION BY CIRCLING APPROPRIATE OUTSIDE FACE

PROVIDING A RADIUS
THE RADIUS MAY BE PROVIDED
IN ONE OF TWO METHODS:

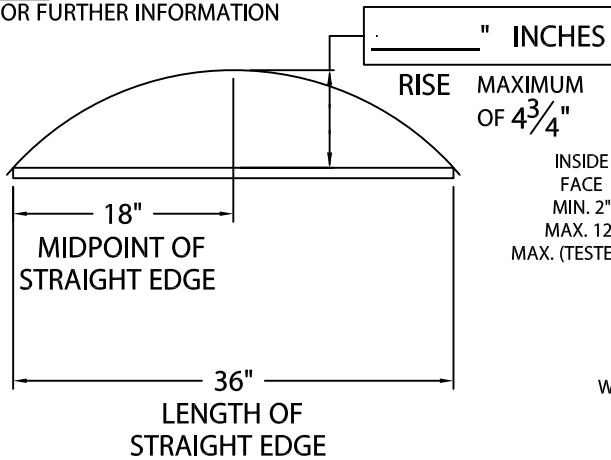
1.) THE ACTUAL KNOWN RADIUS IS

_____ ' FEET _____ " INCHES MINIMUM OF 3'-0"

OR

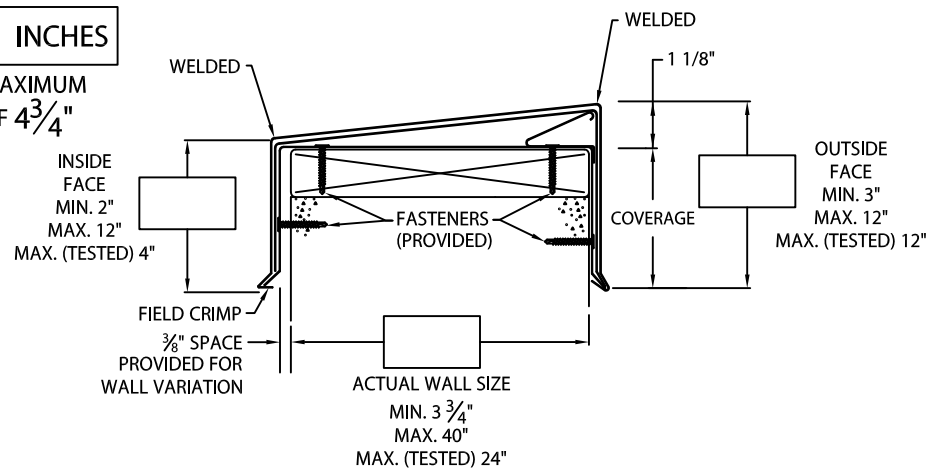
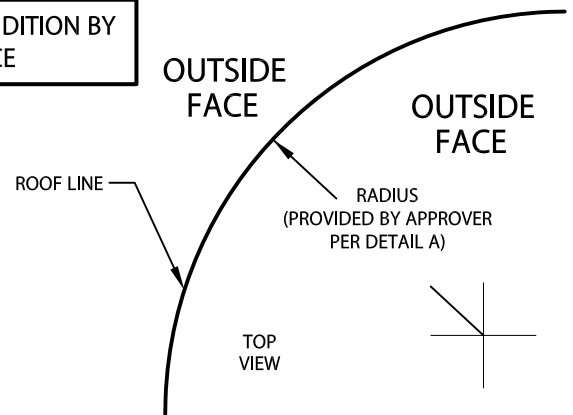
2.) FIELD CONDITION MEASUREMENTS

NOTE: REFER TO ATTACHED WORKSHEET
FOR FURTHER INFORMATION



NOTE: CHECK MEASUREMENTS ALONG ENTIRE RADIUS.

DETAIL A



PLEASE SPECIFY SUBSTRATE: WOOD
 (IF SUBSTRATE INFORMATION IS NOT GIVEN, WOOD SUBSTRATE FASTENERS WILL BE PROVIDED) MASONRY METAL

Fabrication will proceed only after receipt of signed print approval.

Print Approval:

Architect and/or contractor shall verify all dimensions, sizes and quantities. All products to be installed in strict accordance with printed instructions.

Approved by: _____

Date: _____

NOTES: -- CONCEALED SPLICE PLATES ARE PROVIDED WITH FACTORY APPLIED DUAL NON-CURING SEALANT STRIPS.

MATERIALS:

TOP - .080" ALUM.
 SIDES - .063" ALUM.
 COLOR: _____
 FINISH: _____

QUANTITIES:

_____ LINEAL FEET 4'-0" LENGTHS

PROJECT: _____
 ARCHITECT: _____
 ROOFING CONTRACTOR: _____
 REPRESENTATIVE/DISTRIBUTOR: _____

Hickman Edge Systems
 4 Commerce Way
 Arden, NC 28704
 Phone: 828-676-1700
 www.hickmanedgesystems.com



DATE: 08/04/23 SHT.# ____ OF ____
 DRN BY: MLM
 CKD BY: MM DWG# 64011-39286 **B**