

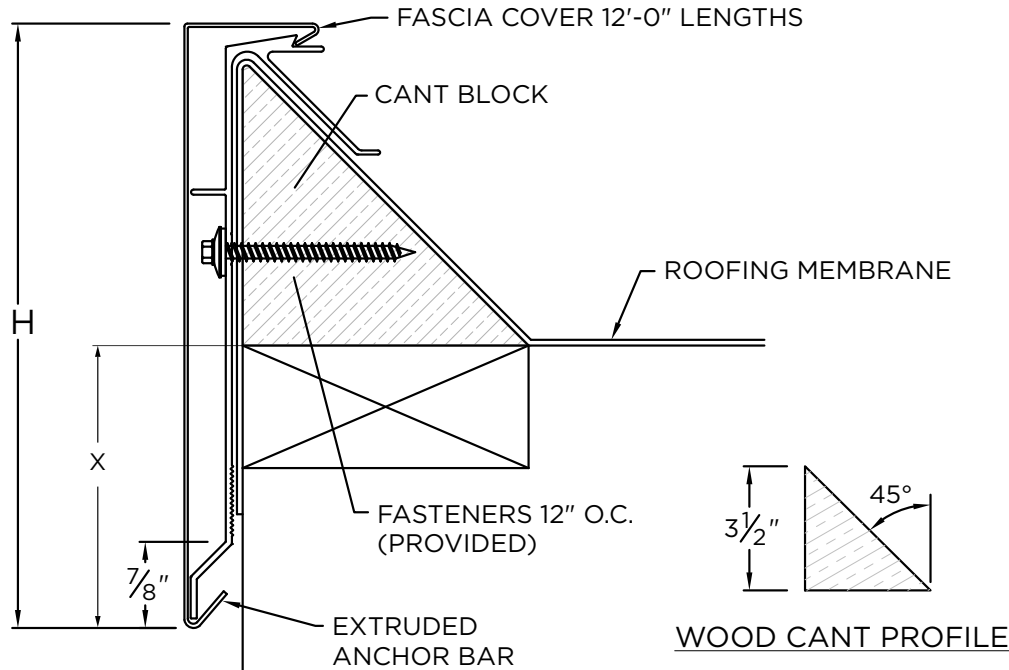


# ELEVATE ANCHORGARD® CANTED NAILER FASCIA

## EXISTING BEVELED WOOD NAILER

### NOTES

- Fascia cover provided with splice plates
- 10" cover not available in 24 ga. galv. steel or .040" aluminum
- 5.5" extruded bar varies in design at lower kick
- For non-90 miters, see separate print approval
- Product should be installed per provided installation instructions



### PROJECT INFO

Project Name: \_\_\_\_\_

Architect: \_\_\_\_\_

Roofing Contractor: \_\_\_\_\_

#### Project Type:

By selecting this box you have verified and confirmed that dimensions, sizes, and quantities are correct. All products will be installed in strict accordance with printed instructions.

Date: \_\_\_\_\_

**Elevate**  
26 Century Blvd.  
Suite 205  
Nashville, TN 37214  
Contact your local  
Elevate representative.

SHT# 1 of 1

DATE 03/20/23

DRN BY: JJC

CKD BY: MM

DWG: 13010-1120

REV: N

### DIMENSIONS

PRODUCT ID. NO.	H DIM	X DIM	NAILER COVERAGE
<input type="checkbox"/> AEFC-550	5 1/2"	2 5/8"	1 NAILER
<input type="checkbox"/> AEFC-750	7 1/2"	4 5/8"	2 NAILERS
<input type="checkbox"/> AEFC-850	8 1/2"	5 5/8"	3 NAILERS
<input type="checkbox"/> AEFC-1000	10"	7 1/8"	4 NAILERS

### MATERIAL

- 24 Ga. Galv. Steel
  - 22 Ga. Galv. Steel
  - .040" Aluminum
  - .050" Aluminum
  - .063" Aluminum
  - OTHER: \_\_\_\_\_
- Color: \_\_\_\_\_  
Finish: \_\_\_\_\_
- Substrate:**  Wood  
If substrate is not given, wood fasteners will be provided.  Masonry  
 Metal

### QUANTITIES

- \_\_\_\_\_ Lineal Feet (12'-0" Lengths)
- \_\_\_\_\_ Outside Miter (90°)
- \_\_\_\_\_ Inside Miter (90°)
- \_\_\_\_\_ Right Endcaps
- \_\_\_\_\_ Left Endcaps
- \_\_\_\_\_ Right Endwall Flashing
- \_\_\_\_\_ Left Endwall Flashing
- \_\_\_\_\_ Overflow Scupper  
Style A    Style B
- \_\_\_\_\_ Spillout Scupper  
Style A    Style B
- \_\_\_\_\_ Downspout Scupper  
Style A    Style B
- Downspout Size \_\_\_\_\_ x \_\_\_\_\_  
Max. Downspout Size is 5" x 6"  
Custom print needed for larger sizes.  
Style A=Tapered 1.5" Drop | Style B=Flat