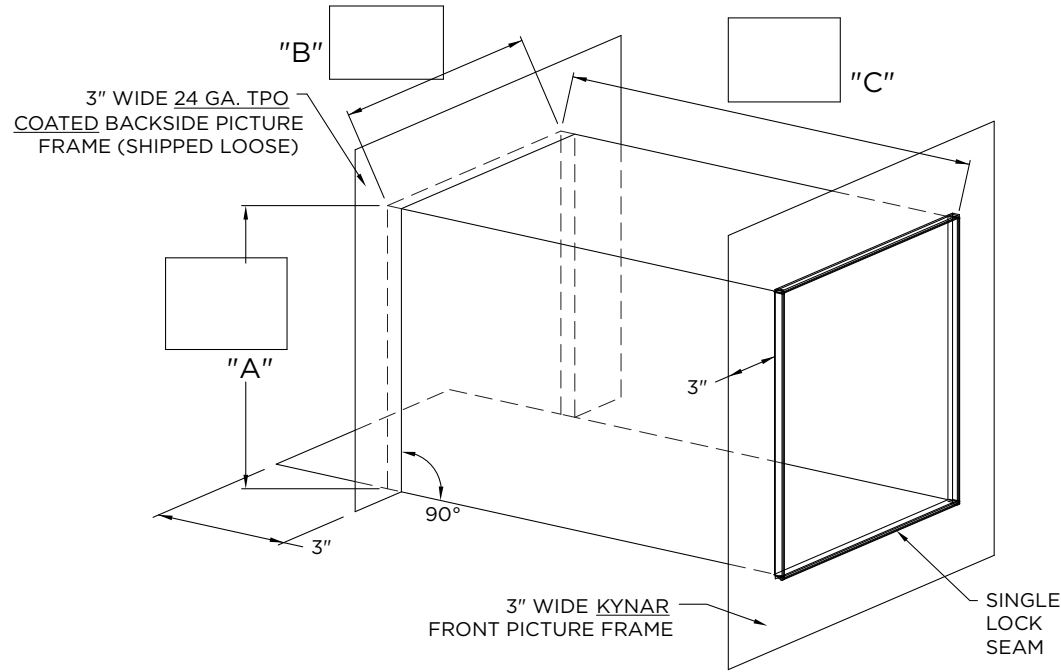


TPO-COATED THRU-WALL SCUPPER

NOTES

- Backside and inside of box is 24 ga. TPO coated material
- Front is Kynar
- Product should be installed per provided installation instructions



PROJECT INFO

Project Name: _____

Architect: _____

Roofing Contractor: _____

Project Type:

By selecting this box you have verified and confirmed that dimensions, sizes, and quantities are correct. All products will be installed in strict accordance with printed instructions.

Date: _____

Hickman Edge Systems
4 Commerce Way
Arden, NC 28704
Phone: 828-676-1700
www.hickmanedgesystems.com

SHT# 1 of 1
DATE: 01/22/ 22
DRN BY: JJC
CKD BY: MM
DWG #: 64018-36797
REV: A

DIMENSIONS

PLEASE FILL OUT DIMENSIONS ON DRAWING

MATERIAL (For Front Picture Frame)

- 24 Ga. Galv. Steel Color: _____
- .040" Aluminum Finish: _____ :
- .050" Aluminum

Specify TPO Manufacturer

QUANTITIES

_____ Amount Required