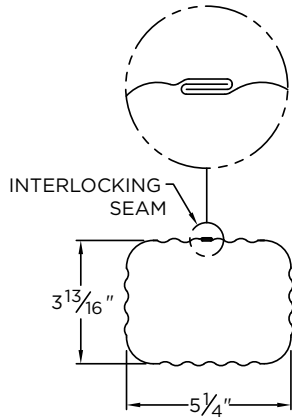


CORRUGATED DOWNSPOUT

4X5

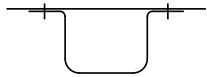
NOTES

- Downspout should be 9/16" smaller than the bottom of the gutter
- Outlet should be 1/8" smaller than the size of the downspout
- Product should be installed per provided installation instructions

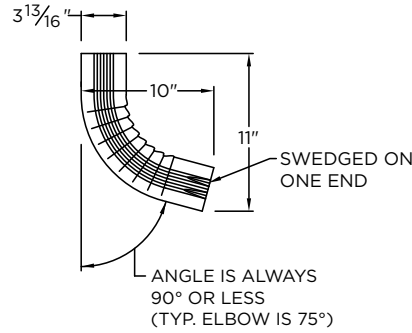


DOWNSPOUT SECTION
10'-0" LENGTHS

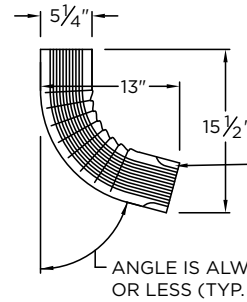
2 1/4" WIDE DOWNSPOUT STRAPS
(2 PER 10'-0" LENGTH)



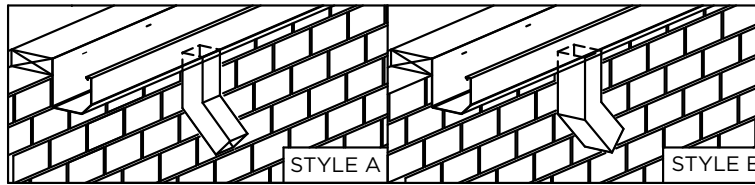
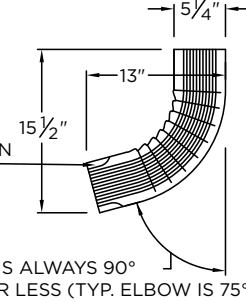
STYLE "A" ELBOW



STYLE "B" ELBOW RIGHT



STYLE "B" ELBOW LEFT



DOWNSPOUT MATERIAL

- 24 Ga. Galv. Steel Color: _____
- 22 Ga. Galv. Steel Finish: _____
- .032" Aluminum
- .040" Aluminum
- OTHER: _____

ELBOW MATERIAL

- 24 Ga. Galv. Steel
- .032" Aluminum
- OTHER: _____
- Color: _____
- Finish: _____

QUANTITIES

- _____ Lineal Feet (10'-0" Lengths)
- _____ Outlets
- _____ Standard A Elbows (_____°)
- _____ Standard B Elbows-Right (_____°)
- _____ Standard B Elbows-Left (_____°)

PROJECT INFO

Project Name: _____

Architect: _____

Roofing Contractor: _____

Project Type:

By selecting this box you have verified and confirmed that dimensions, sizes, and quantities are correct. All products will be installed in strict accordance with printed instructions.

Date: _____

Elevate
26 Century Blvd.
Suite 205
Nashville, TN 37214
Contact your local
Elevate representative.

SHT# 1 of 1

DATE: SSSSSSSSSS
2-2-01

DRN BY: **JJC**

CKD BY: **MM**

DWG #: 13013-37189

F 9J : SSSSSSSSSSSS