

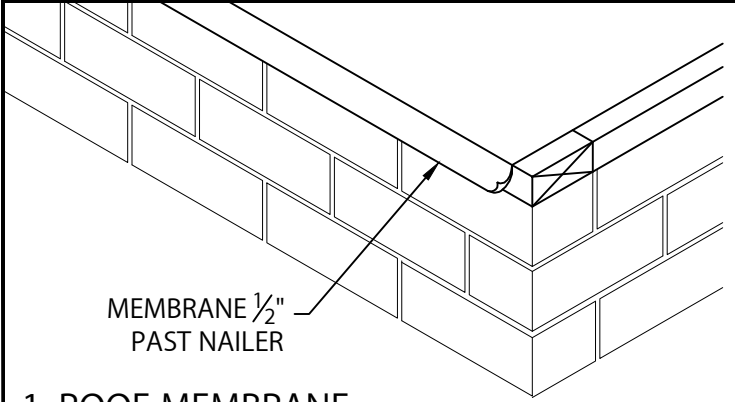


SKIRTED DRIP EDGE FASCIA

WITH FACTORY APPLIED SARNAFIL PVC FLASHING

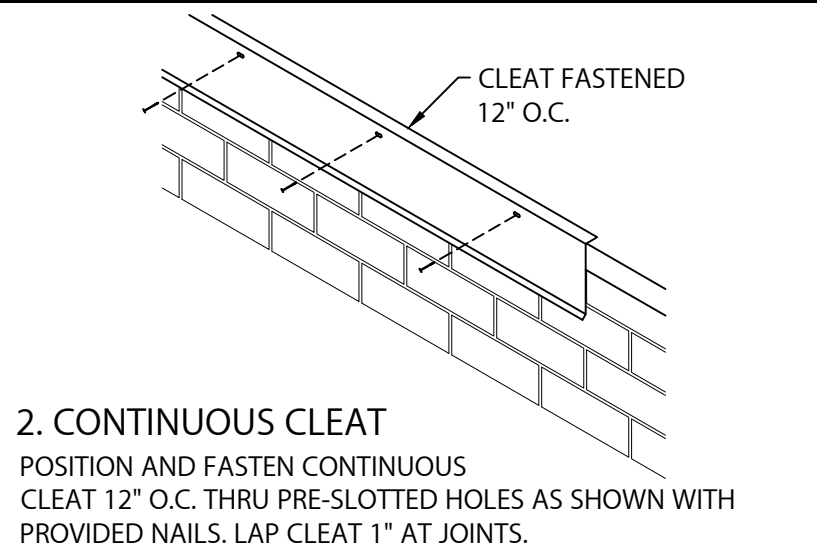
NOTE: INSTALL MITERS FIRST

INSTALLATION INSTRUCTIONS



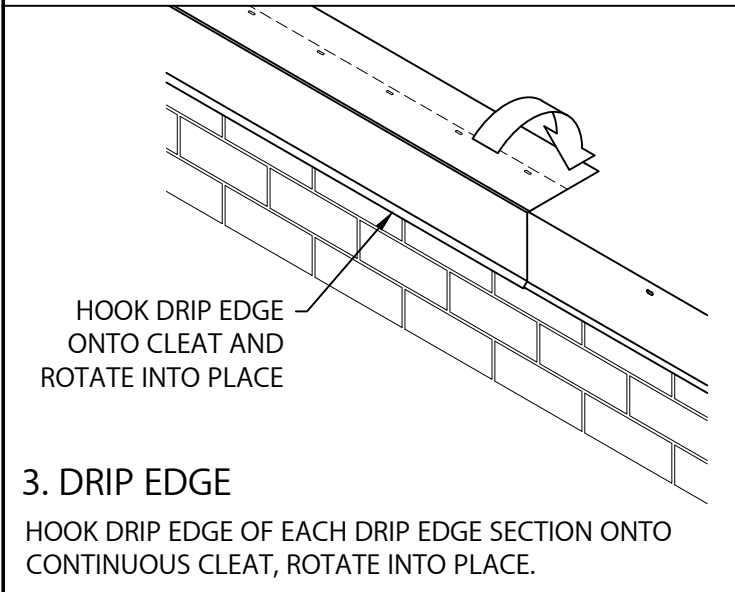
1. ROOF MEMBRANE

POSITION MEMBRANE OVER THE ROOF EDGE AND DOWN OUTSIDE FACE OF WALL, COVERING WOOD NAILER(S) COMPLETELY. ALLOW $\frac{1}{2}$ " EXCESS MEMBRANE.



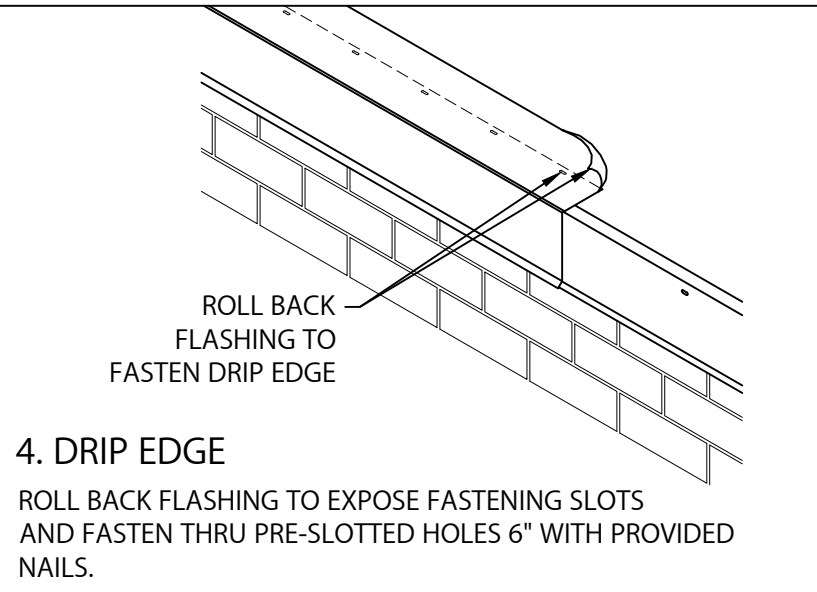
2. CONTINUOUS CLEAT

POSITION AND FASTEN CONTINUOUS CLEAT 12" O.C. THRU PRE-SLOTTED HOLES AS SHOWN WITH PROVIDED NAILS. LAP CLEAT 1" AT JOINTS.



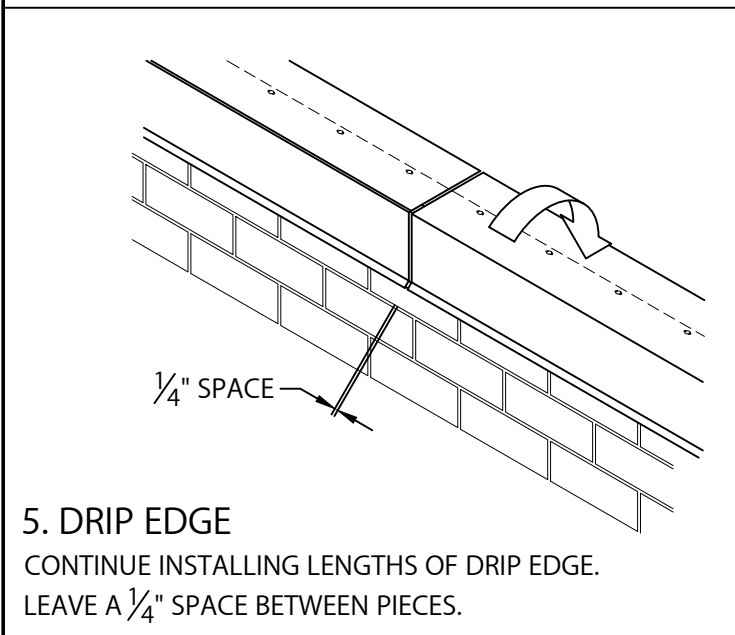
3. DRIP EDGE

HOOK DRIP EDGE OF EACH DRIP EDGE SECTION ONTO CONTINUOUS CLEAT, ROTATE INTO PLACE.



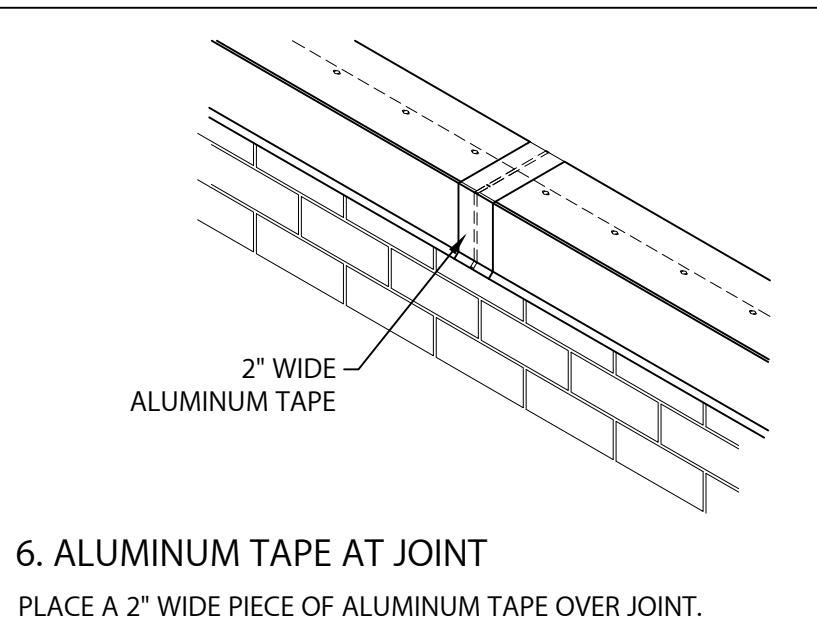
4. DRIP EDGE

ROLL BACK FLASHING TO EXPOSE FASTENING SLOTS AND FASTEN THRU PRE-SLOTTED HOLES 6" WITH PROVIDED NAILS.



5. DRIP EDGE

CONTINUE INSTALLING LENGTHS OF DRIP EDGE. LEAVE A $\frac{1}{4}$ " SPACE BETWEEN PIECES.



6. ALUMINUM TAPE AT JOINT

PLACE A 2" WIDE PIECE OF ALUMINUM TAPE OVER JOINT.

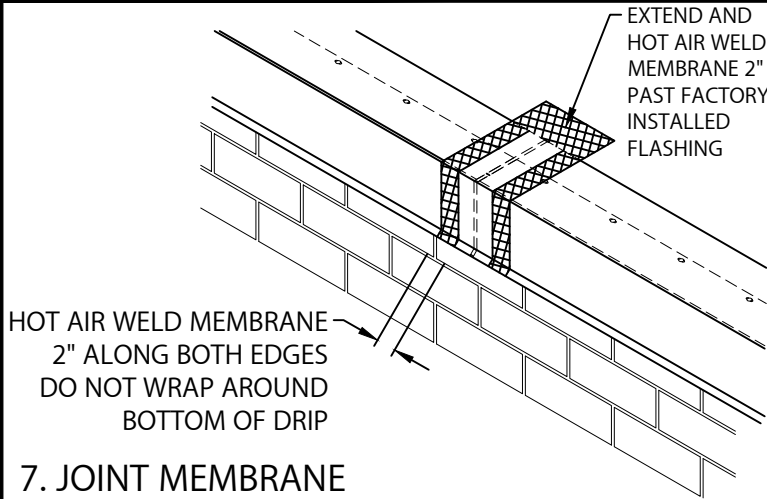


SKIRTED DRIP EDGE FASCIA

WITH FACTORY APPLIED SARNAFIL PVC FLASHING

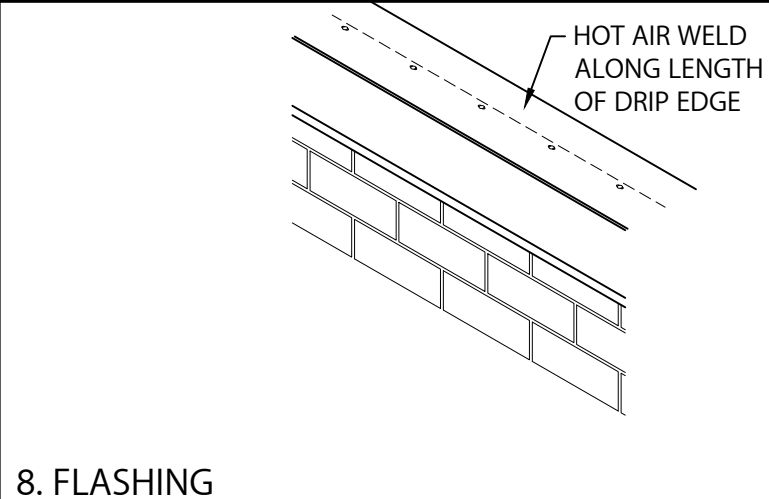
NOTE: INSTALL MITERS FIRST

INSTALLATION INSTRUCTIONS



7. JOINT MEMBRANE

HOT AIR WELD A 6" WIDE PIECE OF MEMBRANE OVER JOINT AS SHOWN ABOVE.



8. FLASHING

HOT AIR WELD ALONG ENTIRE LENGTH OF DRIP EDGE PER MANUFACTURERS INSTRUCTIONS.

TYPICAL INSTALLATION

