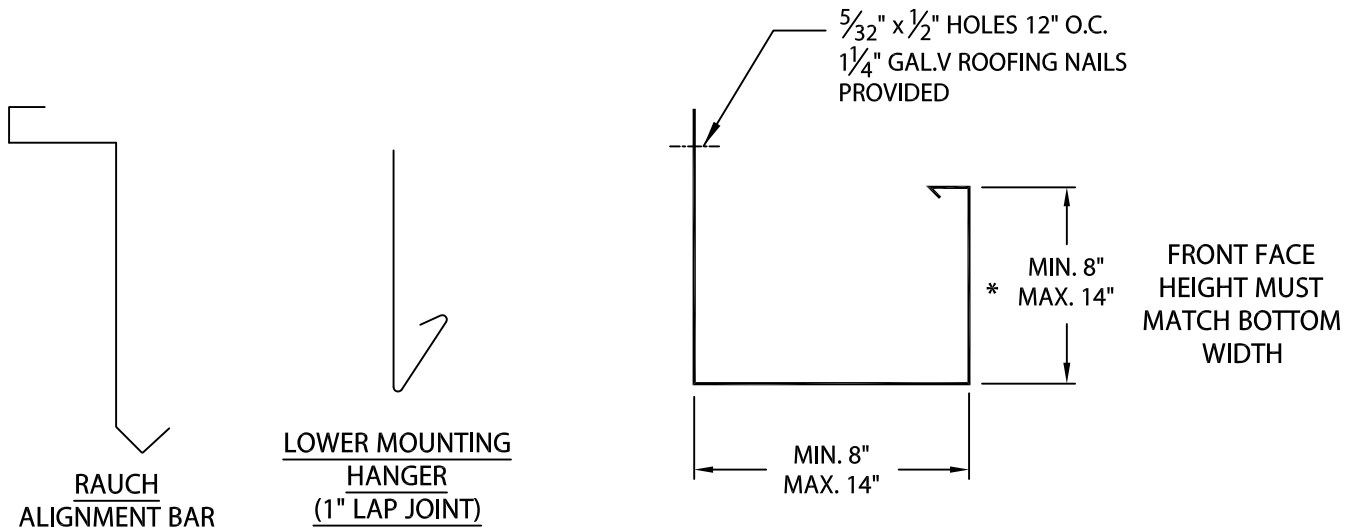
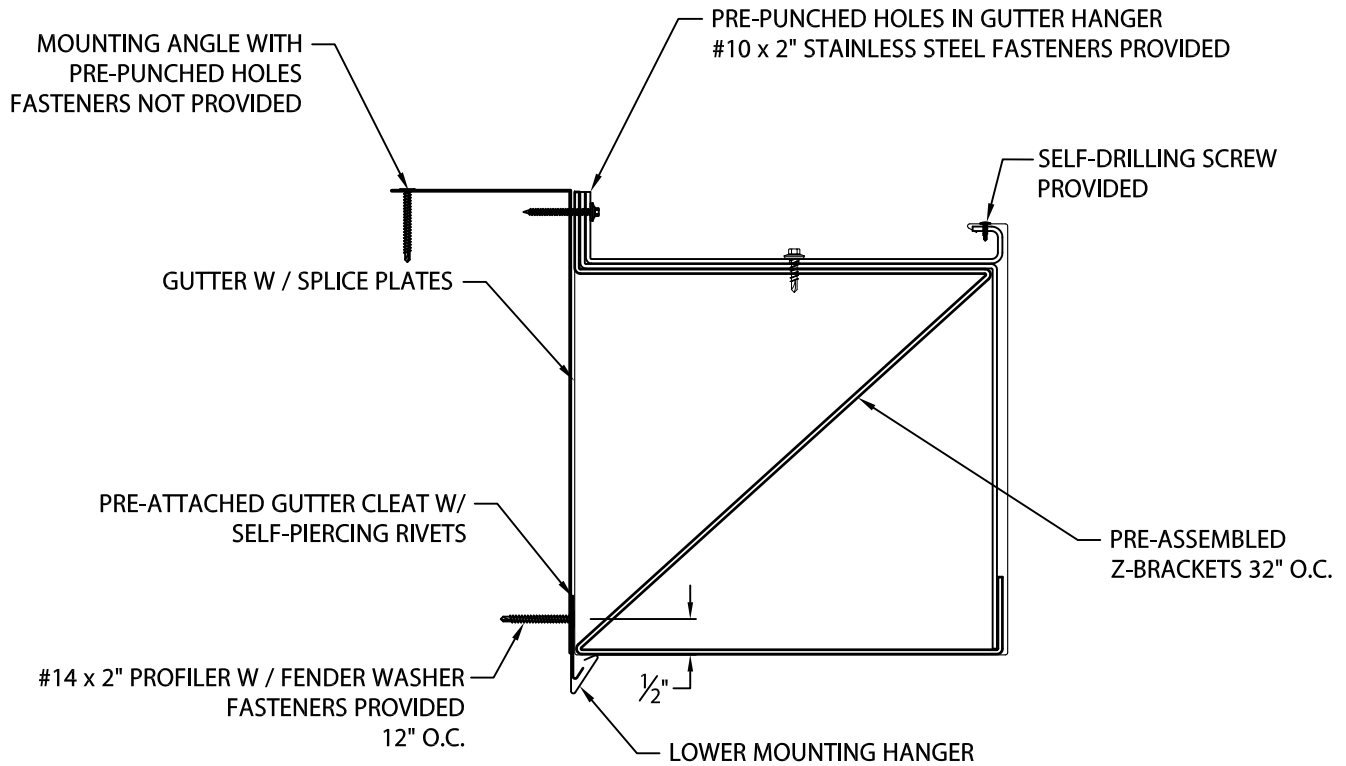


# ELEVATE INDUSTRIAL XL GUTTER

BOX VERSION WITH MOUNTING ANGLE



\* DIMENSION MUST BE A MINIMUM 1" LESS THAN BACKER HEIGHT



ELEVATE  
26 CENTURY BLVD.  
SUITE 205  
NASHVILLE, TN 37214  
CONTACT YOUR LOCAL ELEVATE REPRESENTATIVE

DATE: 08/15/23  
DRN BY: MLM  
CKD BY: MM

SHT.# \_\_\_ OF \_\_\_  
DWG# 13512-41341

A