

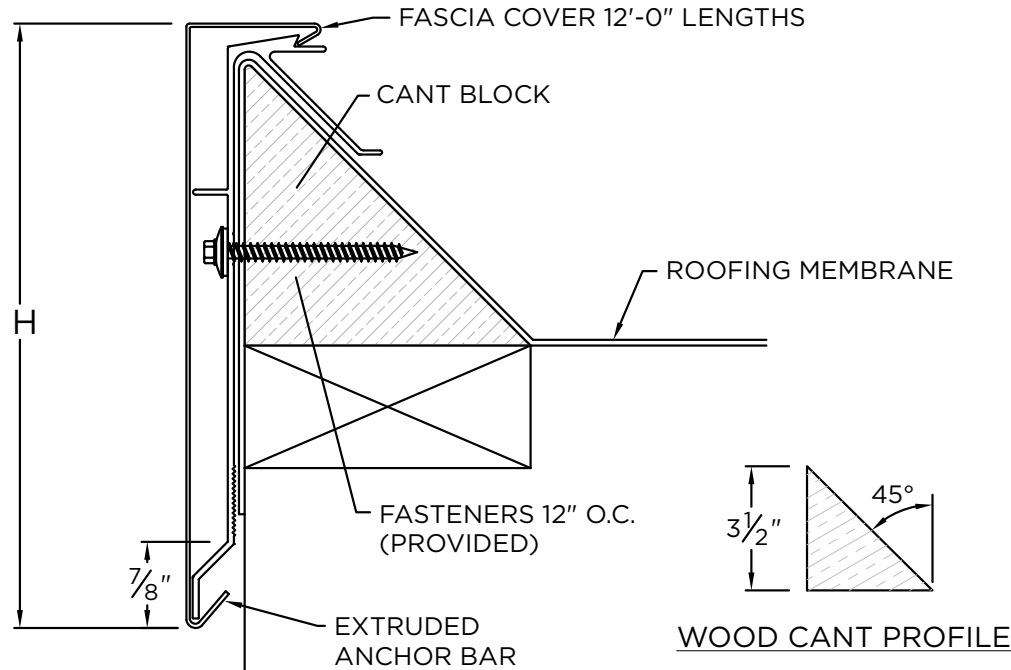


# SECUREDGE 2000 CANTED NAILER FASCIA

## EXISTING BEVELED WOOD NAILER

### NOTES

- Fascia cover provided with splice plates
- 10" cover not available in 24 ga. galv. steel or .040" aluminum
- 5.5" extruded bar varies in design at lower kick
- For non-90 miters, see separate print approval
- Product should be installed per provided installation instructions



### PROJECT INFO

Project Name: \_\_\_\_\_

Architect: \_\_\_\_\_

Roofing Contractor: \_\_\_\_\_

**Project Type:** \_\_\_\_\_

### DIMENSIONS

PRODUCT ID. NO.	H DIM	X DIM	NAILER COVERAGE
<input type="checkbox"/> AEFC-550	5 1/2"	2 5/8"	1 NAILER
<input type="checkbox"/> AEFC-750	7 1/2"	4 5/8"	2 NAILERS
<input type="checkbox"/> AEFC-850	8 1/2"	5 5/8"	3 NAILERS
<input type="checkbox"/> AEFC-1000	10"	7 1/8"	4 NAILERS

### MATERIAL

24 Ga. Galv. Steel      Color: \_\_\_\_\_

22 Ga. Galv. Steel      Finish: \_\_\_\_\_

.040" Aluminum

.050" Aluminum

.063" Aluminum

OTHER: \_\_\_\_\_

**Substrate:**  Wood

If substrate is not given, wood fasteners will be provided.  Masonry

Metal

### QUANTITIES

\_\_\_\_\_ Lineal Feet (12'-0" Lengths)      \_\_\_\_\_ Right Endwall Flashing

\_\_\_\_\_ Outside Miter (90°)      \_\_\_\_\_ Left Endwall Flashing

\_\_\_\_\_ Inside Miter (90°)

\_\_\_\_\_ Right Endcaps

\_\_\_\_\_ Left Endcaps

\_\_\_\_\_ Overflow Scupper  
 Style A  
 Style B

\_\_\_\_\_ Spillout Scupper  
 Style A  
 Style B

\_\_\_\_\_ Downspout Scupper  
 Style A     Style B  
 Size \_\_\_\_\_ x \_\_\_\_\_  
 Style A=Tapered 1.5" Drop | Style B=Flat

By selecting this box you have verified and confirmed that dimensions, sizes, and quantities are correct. All products will be installed in strict accordance with printed instructions.

Date: \_\_\_\_\_

**Carlisle SynTec Systems**  
 Customer Service  
 866-458-3537  
 (Metal-Era)

SHT# 1 of 1

DATE: 11/29/21

DRN BY: JJC

CKD BY: MM

DWG #: 15010-1646

REV: I