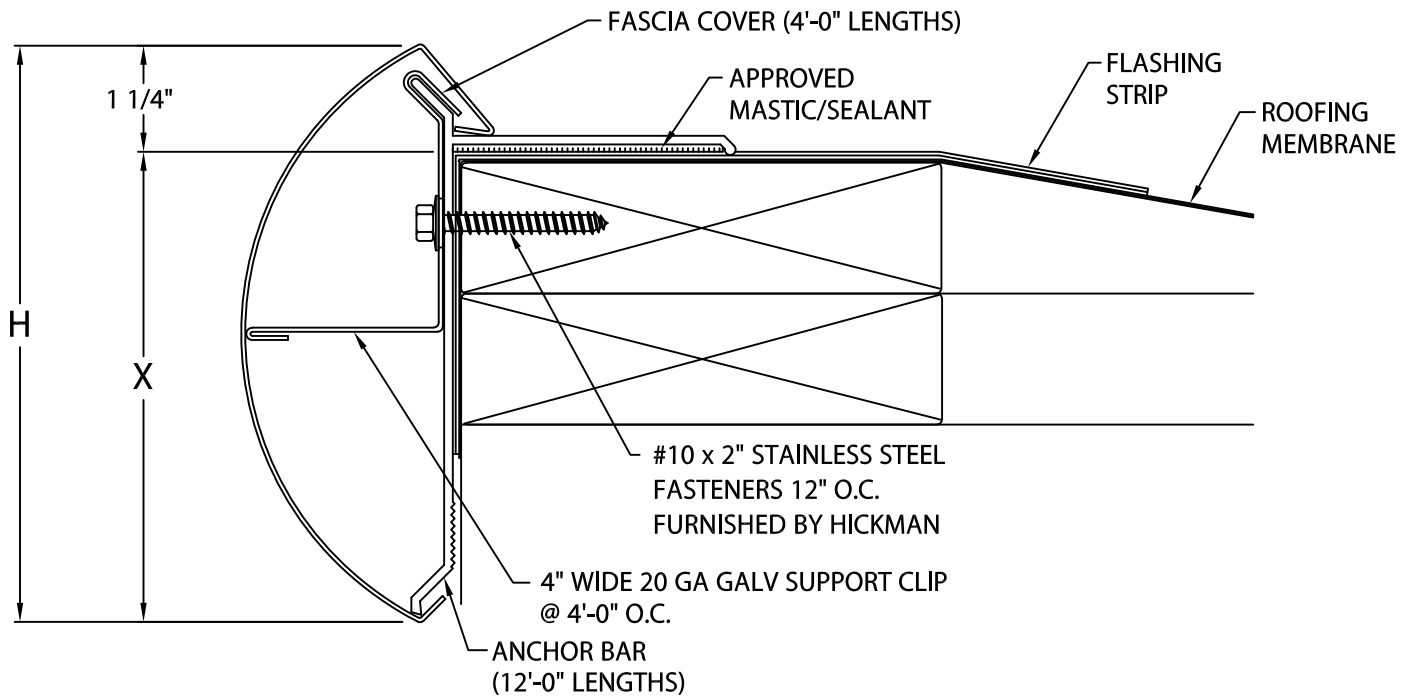


CREATIVE DESIGN BULLNOSE MB FASCIA

BUILT-UP OR MODIFIED VERSION

ANSI/SPRI ES-1 DESIGN PRESSURE OF 290 psf



NOTE: HOLES PRE-PUNCHED 1" DOWN
CENTERED IN FIRST NAILER

DESIGNER BULLNOSE FASCIA DIMENSIONS

PRODUCT IDENT. NO.	H DIM	X DIM	NAILER COVERAGE
<input type="checkbox"/> BAFM-55	5 1/2"	4 1/4"	1 NAILER
<input type="checkbox"/> BAFM-70	7"	5 3/4"	2 NAILERS
<input type="checkbox"/> BAFM-85	8 1/2"	7 1/4"	4 NAILERS

MATERIAL:

___ 22 GA. GALVANIZED STEEL

___ .040" ALUMINUM

COLOR: _____

FINISH: _____

QUANTITIES:

_____ LINEAL FEET *12'-0" LENGTHS

*COVER SUPPLIED IN 4'-0" LENGTHS

_____ OUTSIDE MITERS @ 90°

_____ INSIDE MITERS @ 90°

_____ RIGHT ENDCAPS

_____ RIGHT ENDCAPS

FOR NON-90° MITERS SEE SEPARATE PRINT APPROVAL

Fabrication will proceed only after receipt of signed print approval.

Print Approval:

Architect and/or contractor shall verify all dimensions, sizes and quantities. All products to be installed in strict accordance with printed instructions.

Approved by: _____

Date: _____

PROJECT:

ARCHITECT:

ROOFING CONTRACTOR:

REPRESENTATIVE/DISTRIBUTOR:

Hickman Edge Systems

4 Commerce Way

Arden, NC 28704

Phone: 828-676-1700

www.hickmanedgesystems.com

DATE: 08/11/22

SHT.# ____ OF ____

DRN BY: MLM

CKD BY: MM

DWG# 64010-36754

A

HICKMAN
an MTL company