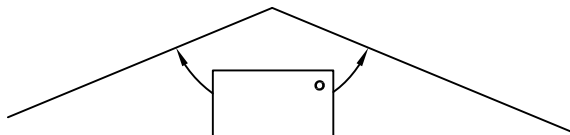


# NON 90° GUTTER MITERS

## OUTSIDE MITER - OBTUSE

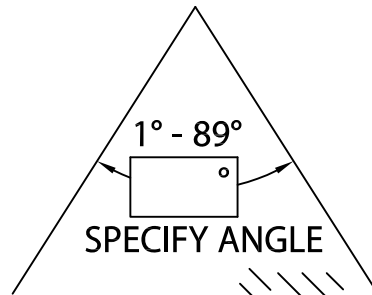


SPECIFY ANGLE 91° - 179°



- Standard Leg Lengths  
 Custom Leg Lengths \_\_\_\_\_ Qty \_\_\_\_\_

## OUTSIDE MITER - ACUTE

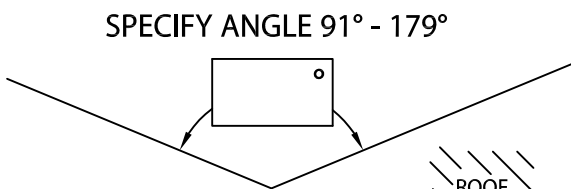


1° - 89°  
SPECIFY ANGLE



- Standard Leg Lengths  
 Custom Leg Lengths \_\_\_\_\_ Qty \_\_\_\_\_

## INSIDE MITER - OBTUSE

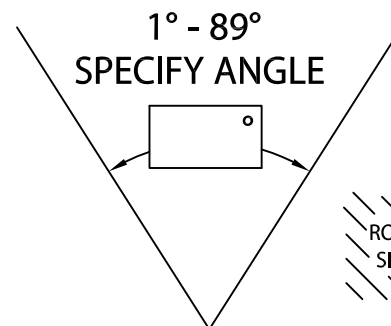


SPECIFY ANGLE 91° - 179°



- Standard Leg Lengths  
 Custom Leg Lengths \_\_\_\_\_ Qty \_\_\_\_\_

## INSIDE MITER - ACUTE



1° - 89°  
SPECIFY ANGLE



- Standard Leg Lengths  
 Custom Leg Lengths \_\_\_\_\_ Qty \_\_\_\_\_

Fabrication will proceed only after receipt of signed print approval.

### Print Approval:

Architect and/or contractor shall verify all dimensions, sizes and quantities. All products to be installed in strict accordance with Elevate's printed instructions.

Approved by: \_\_\_\_\_

Date: \_\_\_\_\_

### MATERIAL:

- \_\_\_ 24 Ga. (.65 mm) Steel  
 \_\_\_ .040" (1.01 mm) Alum. Color: \_\_\_\_\_  
 \_\_\_ .050" (1.27 mm) Alum. Finish: \_\_\_\_\_  
 \_\_\_ .063" (1.60 mm) Alum.  
 \_\_\_ Other \_\_\_\_\_

PROJECT:

ARCHITECT:

ROOFING CONTRACTOR:

REPRESENTATIVE/DISTRIBUTOR:



ELEVATE  
 26 CENTURY BLVD.  
 SUITE 205  
 NASHVILLE, TN 37214  
 CONTACT YOUR LOCAL ELEVATE REPRESENTATIVE

DATE: 03/17/23

DRN BY: MLM

CKD BY: MM

SHT.# \_\_\_\_\_ OF \_\_\_\_\_

DWG# 13012-18668

C