

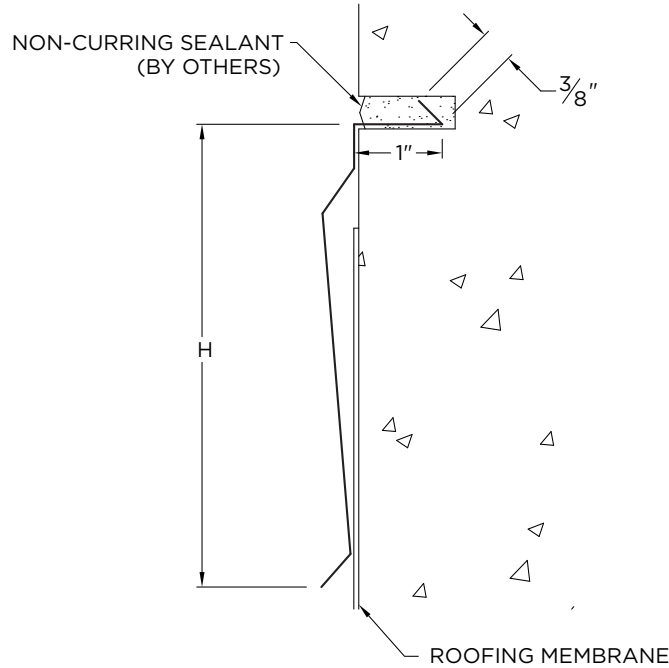


1-PIECE COUNTERFLASHING

REGLET VERSION

NOTES

- Pre-Notched Lap Joints
- No Fasteners Provided



PROJECT INFO

Project Name: _____

Architect: _____

Roofing Contractor: _____

Project Type:

By selecting this box you have verified and confirmed that dimensions, sizes, and quantities are correct. All products will be installed in strict accordance with printed instructions.

Date: _____

Carlisle SynTec Systems

Customer Service
866-458-3537
(Metal-Era)

SHT# 1 of 1

DATE: 02/01/ 22

DRN BY: JJC

CKD BY: MM

DWG #: 15015-14851

REV: B

DIMENSIONS

Face Height (H)

3.75" (CFR-375)

5.25" (CFR-525)

MATERIAL

24 Ga. Galv. Steel

22 Ga. Galv. Steel

.040" Aluminum

.050" Aluminum

.063" Aluminum

OTHER: _____

Color: _____

Finish: _____

QUANTITIES

_____ Lineal Feet (12'-0" Lengths)