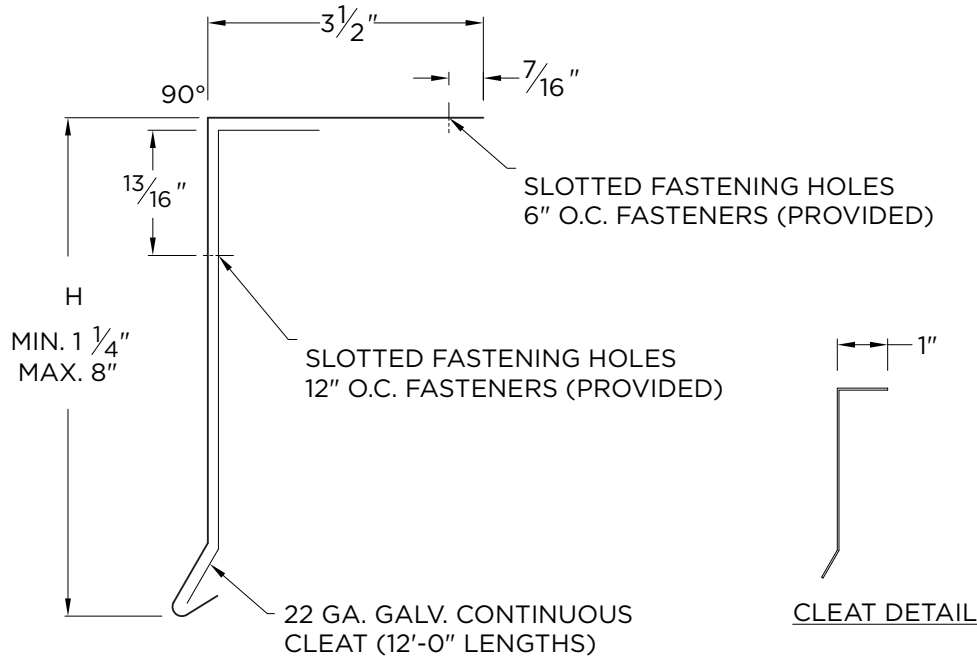


# PVC DRIP EDGE FASCIA



## NOTES

- All cleats provided in 12'-0" lengths
- All Covers provided in 10'-0" lengths
- No lap notches or splice plates provided
- For non-90 miters, see separate print approval
- Product should be installed per provided installation instructions
- ANSI/SPRI/FM 4435/ES-1 Test Pressure up to 282 psf

## APPROVALS



**ANSI/SPRI/FM 4435/ES-1**  
Test Pressures listed in notes

## PROJECT INFO

Project Name: \_\_\_\_\_

Architect: \_\_\_\_\_

Roofing Contractor: \_\_\_\_\_

### Project Type:

By selecting this box you have verified and confirmed that dimensions, sizes, and quantities are correct. All products will be installed in strict accordance with printed instructions.

Date: \_\_\_\_\_

**Hickman Edge Systems**  
4 Commerce Way  
Arden, NC 28704  
Phone: 828-676-1700  
www.hickmanedgesystems.com

SHT# 1 of 1  
DATE: 10/25/21  
DRN BY: JJC  
CKD BY: MM  
DWG #: 64010-36643  
REV: A

## DIMENSIONS

Choose Face Height Size (H Dimension)

- 3"  
 4"  
 6"  
 OTHER (MIN: 1.25" MAX: 8"): \_\_\_\_\_

\* All face sizes less than 2.5", will not include a 22 gauge galvanized cleat

## MATERIAL

24 Ga. Galv. Steel PVC Coated

**Color:** White

**Specify Membrane Manufacturer:**

- Substrate:**  Wood  
 Masonry  
 Metal
- If substrate is not given, wood fasteners will be provided.

## QUANTITIES

\_\_\_\_\_ Lineal Feet (10'-0" Lengths)

\_\_\_\_\_ Outside Miter (90°)

\_\_\_\_\_ Inside Miter (90°)