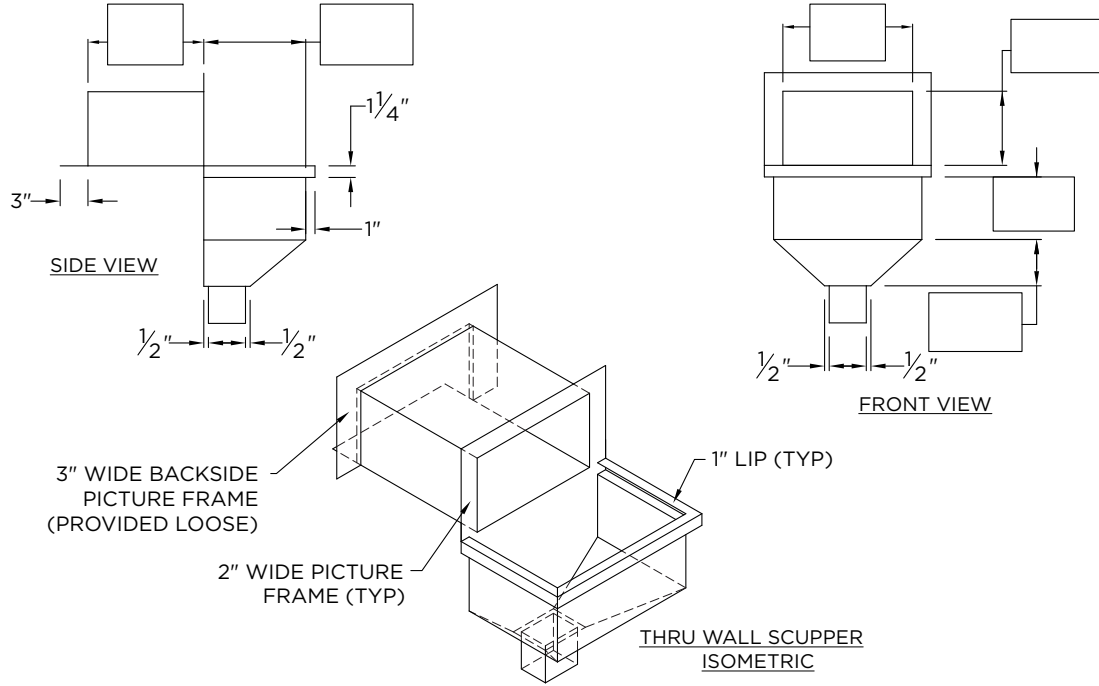


WELDED SCUPPER-3 WITH DROPPED CONDUCTOR HEAD

NOTES

- Product should be installed per provided installation instructions



PROJECT INFO

Project Name: _____

Architect: _____

Roofing Contractor: _____

Project Type:

By selecting this box you have verified and confirmed that dimensions, sizes, and quantities are correct. All products will be installed in strict accordance with printed instructions.

Date: _____

Hickman Edge Systems
4 Commerce Way
Arden, NC 28704
Phone: 828-676-1700
www.hickmanedgesystems.com

SHT# 1 of 1
DATE: 01/22/ 22
DRN BY: JJC
CKD BY: MM
DWG #: 64018-36802
REV: A

DIMENSIONS

PLEASE FILL OUT DIMENSIONS ON DRAWING

MATERIAL

.063" Aluminum

Color: _____

Finish: _____

QUANTITIES

_____ Amount Required

Downspout Size _____ x _____

(Quantities Over 15 Require Extended Lead Time Due to Post Coating Process)