



# VERSITRIM 200 SINGLE CANTILEVER COPING

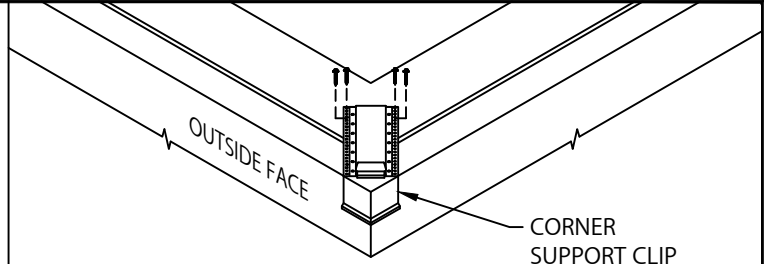
TAPERED VERSION - 3'-0" O.C.

## INSTALLATION INSTRUCTIONS

**IMPORTANT:** Prior to installation, read instructions carefully.

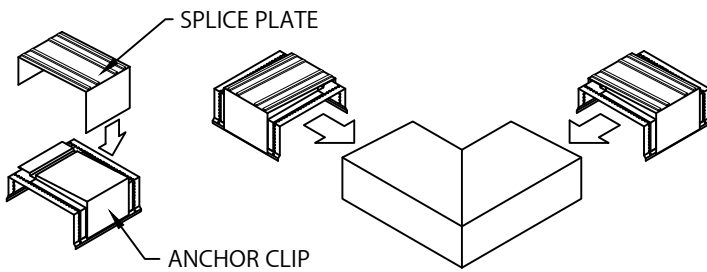
**NOTE:** Position roof membrane on top of the wall covering the treated wood nailer(s) or substrate completely. Allow 1/2" minimum excess membrane beyond nailer where applicable. NRCA requirement. Membrane not shown for clarity.

**CAUTION:** INSTALL MITERS FIRST!



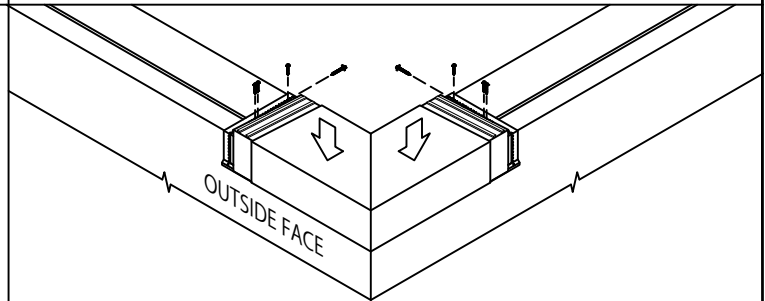
### STEP 1 - CORNER SUPPORT CLIPS

LOCATE AND FASTEN ONE GALVANIZED CORNER SUPPORT CLIP TO THE WALL AS SHOWN USING FOUR FASTENERS (PROVIDED).



### STEP 2 - MITER SPLICE PLATES & ANCHOR CLIPS

POSITION THE SPLICE PLATE IN THE CENTER OF THE ANCHOR CLIP. INSTALL THE SPLICE PLATE AND ANCHOR CLIP ASSEMBLY INTO EACH END OF THE CORNER AS SHOWN



### STEP 3 - MITER

PLACE THE CORNER ASSEMBLY INTO POSITION, AND SECURE AT THE EXPOSED EDGE OF THE ANCHOR CLIPS AS PER DETAIL A.

LEFT ENDCAP SHOWN

OUTSIDE FACE

### STEP 4 - ENDCAP ANCHOR CLIPS

LOCATE AND FASTEN GALVANIZED ANCHOR CLIPS TO WALL WITH PROVIDED FASTENERS FOR SUBSTRATE (SEE DETAIL A).

SPLICE PLATE

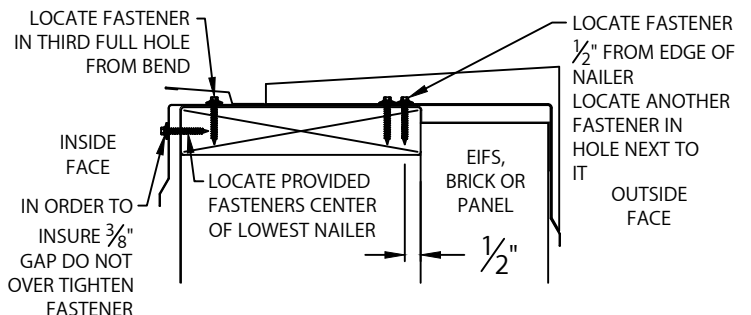
### STEP 5 - ENDCAP SPLICE PLATES

REMOVE RELEASE PAPER FROM TOP OF FACTORY APPLIED DUAL NON-CURING SEALANT STRIPS. PLACE SPLICE PLATE ONTO SECOND ANCHOR CLIP AS SHOWN.

### STEP 6 - ENDCAP

HOOK OUTSIDE FACE OF ENDCAP OVER THE ANCHOR CLIPS AND ROTATE INTO PLACE. ENGAGE REAR LEG ONTO ANCHOR CLIPS BY PRESSING DOWNWARD UNTIL SNAP LOCK OCCURS.

### ANCHOR CLIP FASTENING-DETAIL A



Customer Service  
800-558-2162

DATE: 07/15/22  
DRN BY: MLM  
CKD BY: MM

SHT.# 1 OF 2

DWG# 18111-23067

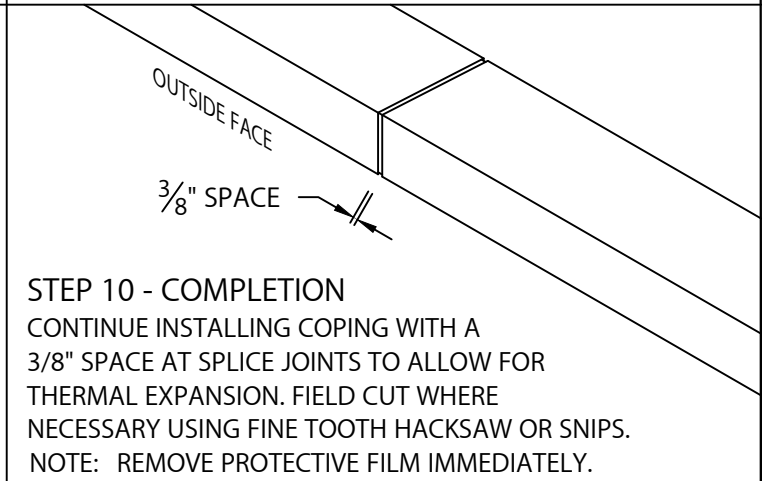
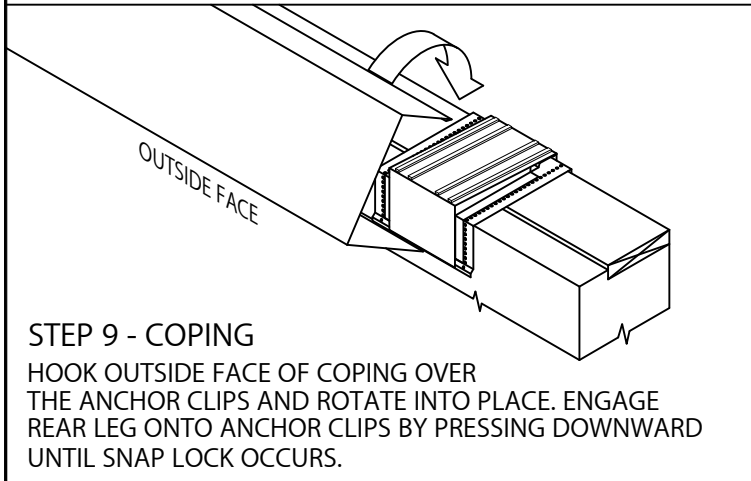
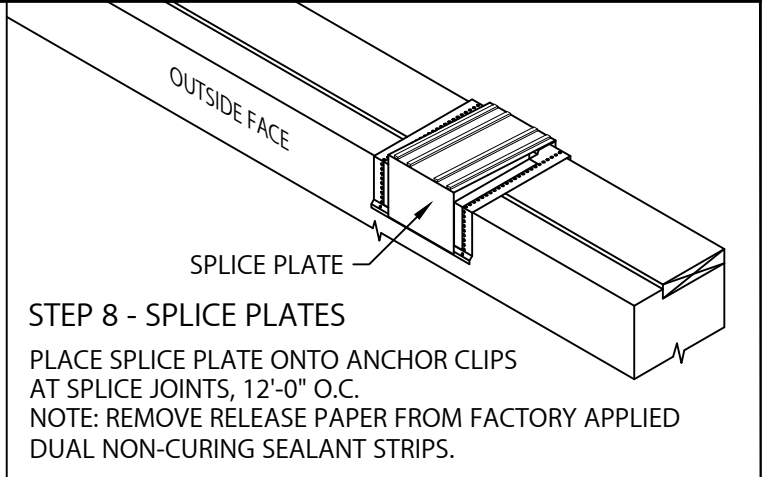
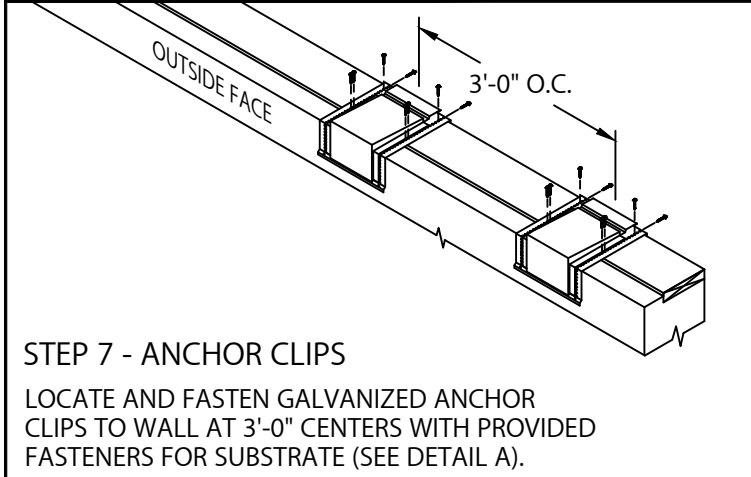
**B**



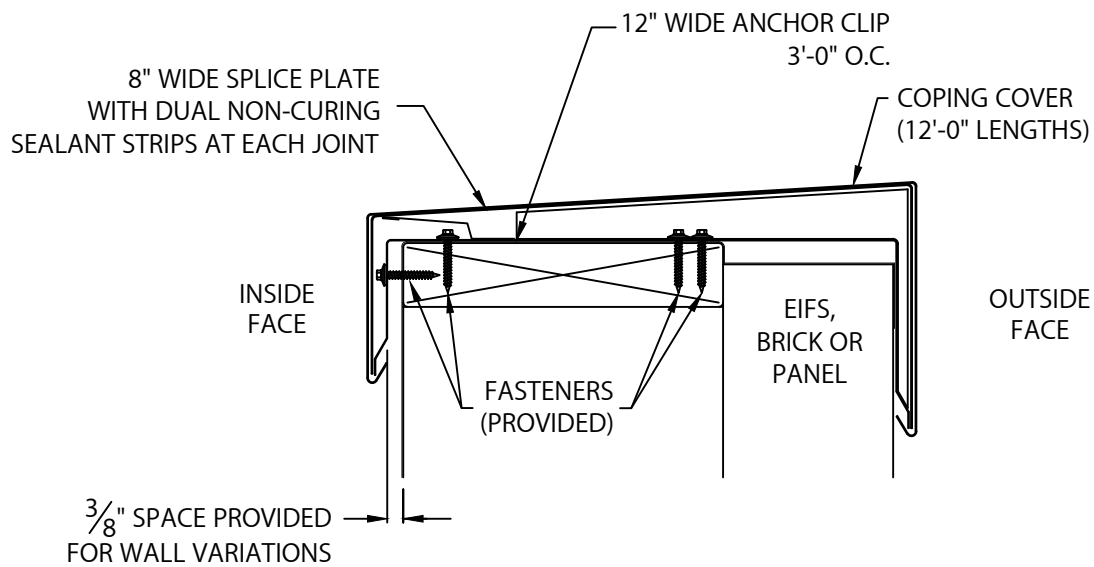
# VERSITRIM 200 SINGLE CANTILEVER COPING

TAPERED VERSION - 3'-0" O.C.

## INSTALLATION INSTRUCTIONS



### TYPICAL COPING INSTALLATION



U.S. PATENT # 8,978,317 B1



Customer Service  
800-558-2162

DATE: 07/15/22
DRN BY: MLM
CKD BY: MM

SHT.# 2 OF 2
DWG# 18111-23067

**B**